

2.54mm (0.100")pitch,Board-to-Board Connector

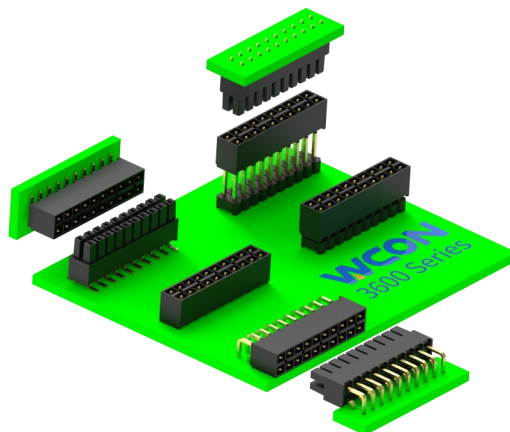
2.54毫米（0.100英寸）间距，板对板连接器

Overview

3600 Series offers a 2.54mm pitch with multiple freely stackable heights, mating configurations and circuit dimensions, providing reliable and durable board-to-board connectors for diverse applications.

概述

3600系列产品是一款2.54mm间距具有多种自由堆叠组合高度和插配型态及电路尺寸，为各种应用提供可靠且耐用的板到板连接器。



Features and Benefits

- Male and female connectors feature a foolproof mechanism to prevent incorrect mating during connection.
- Independent contact protection, providing electrical and mechanical safeguards
- Vertical and horizontal connections, embodying connectivity diversity
- Multiple stacking height options

特点与优势

- 公母对接口有防呆，防止互配过程中错配
- 独立触点保护，提供电气和机械保护
- 垂直和水平连接，体现连接多样性
- 多种堆叠高度选型

Product Applications

- Industrial Control and Automation, PLC, Robotics
- Desktop computers, laptops, cameras

应用领域

- 工业控制与自动化、PLC、机器人
- 台式电脑、笔记本电脑、照相机

Standard 标准

- EIA 364
- IEC 60512

Material 材料

Part/零件	Material/材料	Finish/电镀	UL Flame retardant/阻燃等级
Plug/插头	LCP	Black/黑色	UL94V-0
Socket/插座	LCP	Black/黑色	UL94V-0
Terminal/端子	Copper Alloy	Plated Au or Matte Tin 镀金或镀雾锡	-

Production Specifications 产品规格

Current rating 额定电流	3 A	Operating Temperature Range:-55° C~+105° (including temperature rise) Operating Humidity Range:20-80% 工作温度范围: -55° C~+105° C(含温升) 工作湿度范围: 20-80%	Storage Teroerature:25±5° C Humidity:≤60% 储存温度: 25±5° C 储存湿度: ≤60%
Voltage rating 额定电压	250V		

Item 项目	Condition 条件	Specification 规格
Insulation Resistance 绝缘电阻	Measured at 500V DC for 1 minute 测试电压: 500V DC/1分钟	No less than 1000M Ω 不少于1000MΩ
Withstanding voltage 耐电压	Measured at 775V AC for 1 minute 测试电压: 775V AC/1分钟	No breakdown, no discharge, leakage current <0.5mA 无击穿、无放电、漏电流<0.5 mA
Contact Resistance 接触电阻	Test Voltage 测试电压: 20mV Max Test current 测试电流: 10mA Max	Contact resistance: Initial value/ 20 mo max After environmental tests/ 30 mo max. 接触电阻: 初始值 20 mΩ 以下 测试后 30 mΩ 以下
Vibration Resistance 抗振动	Frequency : 10 ~ 2000 Hz Accelerated Velocity : 10 G Duration: 24 H/each Vibration: X/Y/Z 频率: 10 ~ 2000 Hz 加速度: 10 G 时长: 24小时/轴 方向: X/Y/Z	No electrical discontinuity of 1μsorgreater 试验过程中未发生1μs瞬断现象, 且外观无损伤, 电气性能正常
Humidity (Steady state) 湿度	Temperature : 60±2° C Humidity: 90 ~95% (R.H) Duration : 96 hours 温度: 60±2° C 湿度: 90~95% (R.H) 时间: 96小时	Contact resistance: Initial value/ 20 mo max After environmental tests/ 30 mo max. 接触电阻: 初始值 20 mΩ 以下 测试后 30 mΩ 以下
Salt Spray 盐雾	Temperature 温度: 35±2°C Humidity 湿度: 95 ~ 98% (R.H) pH Value 酸碱值: 6.5~7.2 Duration 时间: 24H	Contact resistance: Initial value/ 20 mo max After environmental tests/ 30 mo max. 接触电阻: 初始值 20 mΩ 以下 测试后 30 mΩ 以下
Durability(Mating/un- mating) 插拔寿命	30 cycles 循环30次	Contact resistance: Initial value/ 20 mo max After environmental tests/ 30 mo max. 接触电阻: 初始值 20 mΩ 以下 测试后 30 mΩ 以下

3600Series

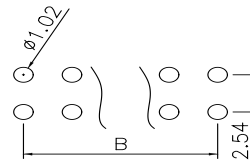
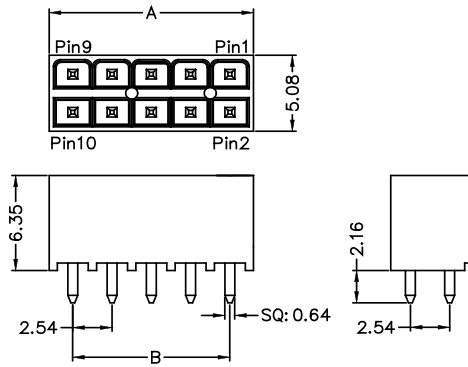
Mating Height Chart 配合高度一览表

Part No.	3600-PXXX-063MXXX01	3600-PXXX-063RXXX01	3600-PXXX-063SXXX01
Plug Socket			
3600-SXXX-085SXXX01	3600-SXXX-085MXXX01	3600-SXXX-085RXXX01	3600-SXXX-085SXXX01

Part No.	3600-SXXX-085SXXX01	3600-SXXX-085MXXX01	3600-SXXX-085RXXX01
Socket Plug			
3600-PXXX-XXXSXXX01	3600-PXXX-XXXSXXX01	3600-PXXX-XXXSXXX01	3600-PXXX-XXXSXXX01

Dimensions 尺寸 (Plug 插头)

PCB Layout 印刷电路板布局

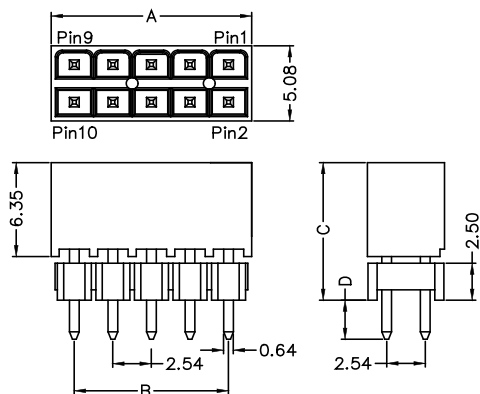


Order Information 订购信息

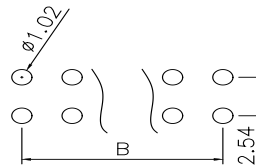
Circuit 芯数	Product height 产品高度 (mm)	Part number 型号	Plating 电镀	Dimensions 尺		Parkage quantity 包装数量	Remake 可量产状态
				A	B	Q'ty/Tule 只/管装	
02	063=6.30	3600-P002-063SWXT01	WX: W0=Gold Flash/Matte Tin W3=10u" Gold/Matte Tin W5=30u" Gold/ Matte Tin	3.05	-	101	*
04		3600-P004-063SWXT01		5.59	2.54	72	*
06		3600-P006-063SWXT01		8.13	5.08	53	*
08		3600-P008-063SWXT01		10.67	7.62	43	*
10		3600-P010-063SWXT01		13.21	10.16	36	*
12		3600-P012-063SWXT01		15.75	12.70	31	*
14		3600-P014-063SWXT01		18.29	15.24	27	*
16		3600-P016-063SWXT01		20.83	17.78	24	*
18		3600-P018-063SWXT01		23.37	20.32	22	*
20		3600-P020-063SWXT01		25.91	22.86	20	*
22		3600-P022-063SWXT01		28.45	25.40	18	*
24		3600-P024-063SWXT01		30.99	27.94	17	*
26		3600-P026-063SWXT01		33.53	30.48	16	*
28		3600-P028-063SWXT01		36.07	33.02	14	*
30		3600-P030-063SWXT01		38.61	35.56	14	*
32		3600-P032-063SWXT01		41.15	38.10	13	*
34		3600-P034-063SWXT01		43.69	40.64	12	*
36		3600-P036-063SWXT01		46.23	43.18	12	*
38		3600-P038-063SWXT01		48.77	45.72	11	*
40		3600-P040-063SWXT01		51.31	48.26	11	*
42		3600-P042-063SWXT01		53.85	50.80	10	*
44		3600-P044-063SWXT01		56.39	53.34	10	*
46		3600-P046-063SWXT01		58.93	55.88	9	*
48		3600-P048-063SWXT01		61.47	58.42	9	*
50		3600-P050-063SWXT01		64.01	60.96	9	*
52		3600-P052-063SWXT01		66.55	63.50	8	*
54		3600-P054-063SWXT01		69.09	66.04	8	*
56		3600-P056-063SWXT01		71.63	68.58	8	*
58		3600-P058-063SWXT01		74.17	71.12	7	*
60		3600-P060-063SWXT01		76.71	73.66	7	*

3600Series

Dimensions 尺寸 (Plug 插头)



PCB Layout 印刷电路板布局



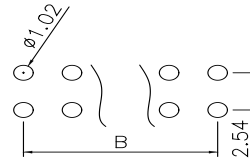
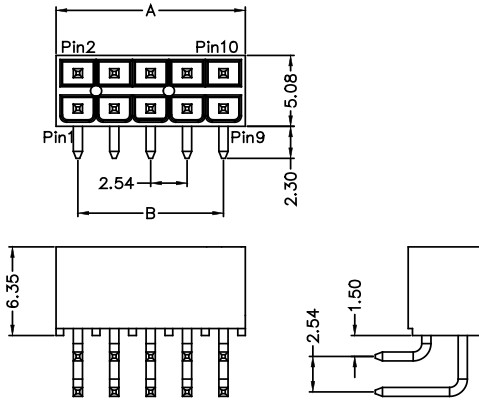
3600-PXXX-303SXX*01	30.30	2.46
3600-PXXX-253SXX*01	25.30	2.39
3600-PXXX-203SXX*01	20.30	2.31
3600-PXXX-153SXX*01	15.30	2.35
3600-PXXX-143SXX*01	14.30	2.46
3600-PXXX-123SXX*01	12.30	2.69
3600-PXXX-113SXX*01	11.30	2.16
3600-PXXX-093SXX*01	9.30	2.64
料号	C	D

Order Information 订购信息

Circuit 芯数	Product height 产品高度 (mm)	Part number 型号	Plating 电镀	Dimensions 尺寸		Package quantity 包装数量	Remake 可量产状态
				A	B	Q'ty/Tule 只/管装	
02	XXX= 093=9.30 113=11.30 123=12.30 143=14.30 153=15.30 203=20.30 253=25.30 303=30.30 (可选高度) (Optional height)	3600-P002-XXXXSWXT01	WX: W0=Gold Flash/Matte Tin W3=10u" Gold/Matte Tin W5=30u" Gold/ Matte Tin	3.05	-	192	*
04		3600-P004-XXXXSWXT01		5.59	2.54	104	*
06		3600-P006-XXXXSWXT01		8.13	5.08	72	*
08		3600-P008-XXXXSWXT01		10.67	7.62	54	*
10		3600-P010-XXXXSWXT01		13.21	10.16	44	*
12		3600-P012-XXXXSWXT01		15.75	12.70	37	*
14		3600-P014-XXXXSWXT01		18.29	15.24	31	*
16		3600-P016-XXXXSWXT01		20.83	17.78	27	*
18		3600-P018-XXXXSWXT01		23.37	20.32	24	*
20		3600-P020-XXXXSWXT01		25.91	22.86	22	*
22		3600-P022-XXXXSWXT01		28.45	25.40	20	*
24		3600-P024-XXXXSWXT01		30.99	27.94	18	*
26		3600-P026-XXXXSWXT01		33.53	30.48	17	*
28		3600-P028-XXXXSWXT01		36.07	33.02	16	*
30		3600-P030-XXXXSWXT01		38.61	35.56	15	*
32		3600-P032-XXXXSWXT01		41.15	38.10	14	*
34		3600-P034-XXXXSWXT01		43.69	40.64	13	*
36		3600-P036-XXXXSWXT01		46.23	43.18	12	*
38		3600-P038-XXXXSWXT01		48.77	45.72	11	*
40		3600-P040-XXXXSWXT01		51.31	48.26	11	*
42		3600-P042-XXXXSWXT01		53.85	50.80	10	*
44		3600-P044-XXXXSWXT01		56.39	53.34	10	*
46		3600-P046-XXXXSWXT01		58.93	55.88	9	*
48		3600-P048-XXXXSWXT01		61.47	58.42	9	*
50		3600-P050-XXXXSWXT01		64.01	60.96	9	*
52		3600-P052-XXXXSWXT01		66.55	63.50	8	*
54	3600-P054-XXXXSWXT01	69.09	66.04	8	*		
56	3600-P056-XXXXSWXT01	71.63	68.58	8	*		
58	3600-P058-XXXXSWXT01	74.17	71.12	7	*		
60	3600-P060-XXXXSWXT01	76.71	73.66	7	*		

Dimensions 尺寸 (Plug 插头)

PCB Layout 印刷电路板布局

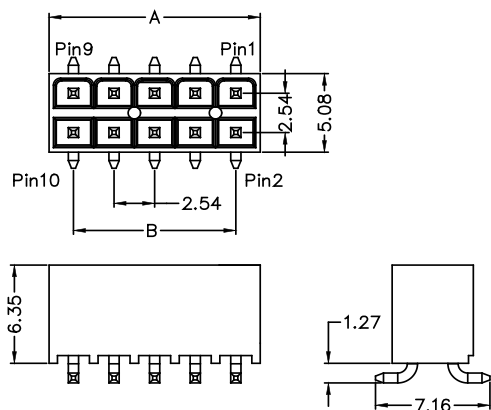


Order Information 订购信息

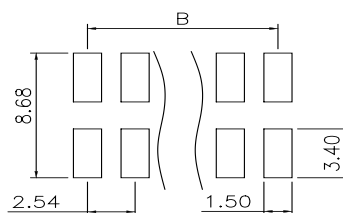
Circuit 芯数	Product height 产品高度 (mm)	Part number 型号	Plating 电镀	Dimensions 尺		Parkage quantity 包装数量	Remake 可量产状态
				A	B	Qty/Tule 只/管装	
02	063=6.30	3600-P002-063RWXT01	WX: W0=Gold Flash/Matte Tin W3=10u" Gold/Matte Tin W5=30u" Gold/ Matte Tin	3.05	-	192	*
04		3600-P004-063RWXT01		5.59	2.54	104	*
06		3600-P006-063RWXT01		8.13	5.08	72	*
08		3600-P008-063RWXT01		10.67	7.62	54	*
10		3600-P010-063RWXT01		13.21	10.16	44	*
12		3600-P012-063RWXT01		15.75	12.70	37	*
14		3600-P014-063RWXT01		18.29	15.24	31	*
16		3600-P016-063RWXT01		20.83	17.78	27	*
18		3600-P018-063RWXT01		23.37	20.32	24	*
20		3600-P020-063RWXT01		25.91	22.86	22	*
22		3600-P022-063RWXT01		28.45	25.40	20	*
24		3600-P024-063RWXT01		30.99	27.94	18	*
26		3600-P026-063RWXT01		33.53	30.48	17	*
28		3600-P028-063RWXT01		36.07	33.02	16	*
30		3600-P030-063RWXT01		38.61	35.56	15	*
32		3600-P032-063RWXT01		41.15	38.10	14	*
34		3600-P034-063RWXT01		43.69	40.64	13	*
36		3600-P036-063RWXT01		46.23	43.18	12	*
38		3600-P038-063RWXT01		48.77	45.72	11	*
40		3600-P040-063RWXT01		51.31	48.26	11	*
42		3600-P042-063RWXT01		53.85	50.80	10	*
44		3600-P044-063RWXT01		56.39	53.34	10	*
46		3600-P046-063RWXT01		58.93	55.88	9	*
48		3600-P048-063RWXT01		61.47	58.42	9	*
50		3600-P050-063RWXT01		64.01	60.96	9	*
52		3600-P052-063RWXT01		66.55	63.50	8	*
54		3600-P054-063RWXT01		69.09	66.04	8	*
56		3600-P056-063RWXT01		71.63	68.58	8	*
58		3600-P058-063RWXT01		74.17	71.12	7	*
60		3600-P060-063RWXT01		76.71	73.66	7	*

3600Series

Dimensions 尺寸 (Plug 插头)



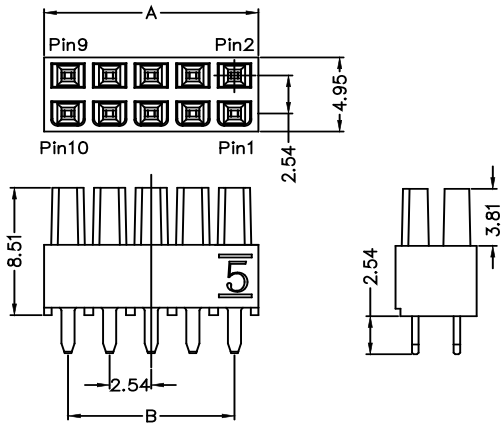
PCB Layout 印刷电路板布局



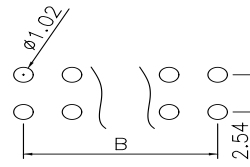
Order Information 订购信息

Circuit 芯数	Product height 产品高度 (mm)	Part number 型号	Plating 电镀	Dimensions 尺		Parkage quantity 包装数量	Remake 可量产状态
				A	B	Q'ty/Tule 只/管装	
02	063=6.30	3600-P002-063MWXT01	WX: W0=Gold Flash/Matte Tin W3=10u" Gold/Matte Tin W5=30u" Gold/ Matte Tin	2.92	-	192	*
04		3600-P004-063MWXT01		5.46	2.54	104	*
06		3600-P006-063MWXT01		8.00	5.08	72	*
08		3600-P008-063MWXT01		10.54	7.62	54	*
10		3600-P010-063MWXT01		13.08	10.16	44	*
12		3600-P012-063MWXT01		15.62	12.70	37	*
14		3600-P014-063MWXT01		18.16	15.24	31	*
16		3600-P016-063MWXT01		20.70	17.78	27	*
18		3600-P018-063MWXT01		23.24	20.32	24	*
20		3600-P020-063MWXT01		25.78	22.86	22	*
22		3600-P022-063MWXT01		28.32	25.40	20	*
24		3600-P024-063MWXT01		30.86	27.94	18	*
26		3600-P026-063MWXT01		33.40	30.48	17	*
28		3600-P028-063MWXT01		35.94	33.02	16	*
30		3600-P030-063MWXT01		38.48	35.56	15	*
32		3600-P032-063MWXT01		41.02	38.10	14	*
34		3600-P034-063MWXT01		43.56	40.64	13	*
36		3600-P036-063MWXT01		46.10	43.18	12	*
38		3600-P038-063MWXT01		48.64	45.72	11	*
40		3600-P040-063MWXT01		51.18	48.26	11	*
42		3600-P042-063MWXT01		53.72	50.80	10	*
44		3600-P044-063MWXT01		56.26	53.34	10	*
46		3600-P046-063MWXT01		58.80	55.88	9	*
48		3600-P048-063MWXT01		61.34	58.42	9	*
50		3600-P050-063MWXT01		63.88	60.96	9	*
52		3600-P052-063MWXT01		66.42	63.50	8	*
54		3600-P054-063MWXT01		68.96	66.04	8	*
56		3600-P056-063MWXT01		71.50	68.58	8	*
58		3600-P058-063MWXT01		74.04	71.12	7	*
60		3600-P060-063MWXT01		76.58	73.66	7	*

Dimensions 尺寸(Socket 插座)



PCB Layout 印刷电路板布局



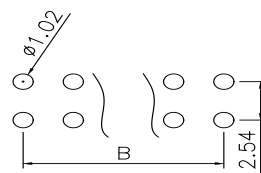
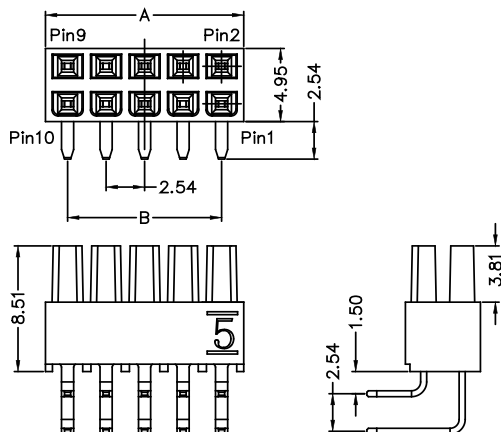
Order Information 订购信息

Circuit 芯数	Sproduct height 产品高度 (mm)	Sart number 型号	Slating 电镀	Dimensions 尺		Parkage quantity 包装数量	Remake 可量产状态
				A	B	Q'ty/Tule 只/管装	
02	085=8.51	3600-S002-085SWXT01	WX: W0=Gold Flash/Matte Tin W3=10u" Gold/Matte Tin W5=30u" Gold/ Matte Tin	3.05	-	192	*
04		3600-S004-085SWXT01		5.59	2.54	104	*
06		3600-S006-085SWXT01		8.13	5.08	72	*
08		3600-S008-085SWXT01		10.67	7.62	54	*
10		3600-S010-085SWXT01		13.21	10.16	44	*
12		3600-S012-085SWXT01		15.75	12.70	37	*
14		3600-S014-085SWXT01		18.29	15.24	31	*
16		3600-S016-085SWXT01		20.83	17.78	27	*
18		3600-S018-085SWXT01		23.37	20.32	24	*
20		3600-S020-085SWXT01		25.91	22.86	22	*
22		3600-S022-085SWXT01		28.45	25.40	20	*
24		3600-S024-085SWXT01		30.99	27.94	18	*
26		3600-S026-085SWXT01		33.53	30.48	17	*
28		3600-S028-085SWXT01		36.07	33.02	16	*
30		3600-S030-085SWXT01		38.61	35.56	15	*
32		3600-S032-085SWXT01		41.15	38.10	14	*
34		3600-S034-085SWXT01		43.69	40.64	13	*
36		3600-S036-085SWXT01		46.23	43.18	12	*
38		3600-S038-085SWXT01		48.77	45.72	11	*
40		3600-S040-085SWXT01		51.31	48.26	11	*
42		3600-S042-085SWXT01		53.85	50.80	10	*
44		3600-S044-085SWXT01		56.39	53.34	10	*
46		3600-S046-085SWXT01		58.93	55.88	9	*
48		3600-S048-085SWXT01		61.47	58.42	9	*
50	3600-S050-085SWXT01	64.01	60.96	9	*		
52	3600-S052-085SWXT01	66.55	63.50	8	*		
54	3600-S054-085SWXT01	69.09	66.04	8	*		
56	3600-S056-085SWXT01	71.63	68.58	8	*		
58	3600-S058-085SWXT01	74.17	71.12	7	*		
60	3600-S060-085SWXT01	76.71	73.66	7	*		

3600Series

Dimensions 尺寸(Socket 插座)

PCB Layout 印刷电路板布局

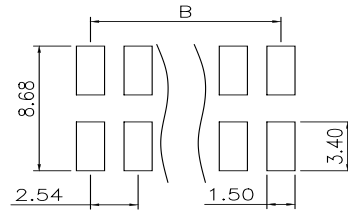
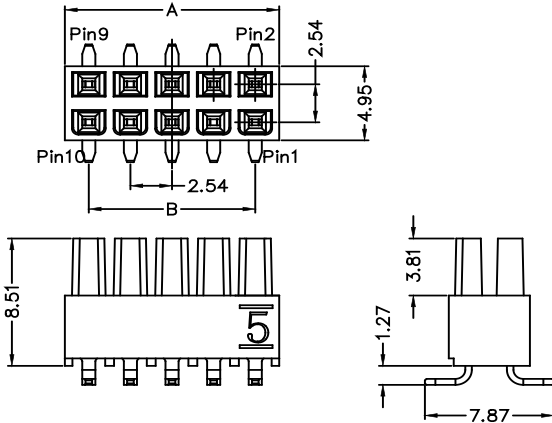


Order Information 订购信息

Circuit 芯数	Sproduct height 产品高度 (mm)	Sart number 型号	Slatng 电镀	Dimensions 尺		Parkage quantity 包装数量	Remake 可量产状态
				A	B	Q'ty/Tule 只/管装	
02	085=8.51	3600-S002-085RWXT01	WX: W0=Gold Flash/Matte Tin W3=10u" Gold/Matte Tin W5=30u" Gold/ Matte Tin	3.05	-	192	*
04		3600-S004-085RWXT01		5.59	2.54	104	*
06		3600-S006-085RWXT01		8.13	5.08	72	*
08		3600-S008-085RWXT01		10.67	7.62	54	*
10		3600-S010-085RWXT01		13.21	10.16	44	*
12		3600-S012-085RWXT01		15.75	12.70	37	*
14		3600-S014-085RWXT01		18.29	15.24	31	*
16		3600-S016-085RWXT01		20.83	17.78	27	*
18		3600-S018-085RWXT01		23.37	20.32	24	*
20		3600-S020-085RWXT01		25.91	22.86	22	*
22		3600-S022-085RWXT01		28.45	25.40	20	*
24		3600-S024-085RWXT01		30.99	27.94	18	*
26		3600-S026-085RWXT01		33.53	30.48	17	*
28		3600-S028-085RWXT01		36.07	33.02	16	*
30		3600-S030-085RWXT01		38.61	35.56	15	*
32		3600-S032-085RWXT01		41.15	38.10	14	*
34		3600-S034-085RWXT01		43.69	40.64	13	*
36		3600-S036-085RWXT01		46.23	43.18	12	*
38		3600-S038-085RWXT01		48.77	45.72	11	*
40		3600-S040-085RWXT01		51.31	48.26	11	*
42		3600-S042-085RWXT01		53.85	50.80	10	*
44		3600-S044-085RWXT01		56.39	53.34	10	*
46		3600-S046-085RWXT01		58.93	55.88	9	*
48		3600-S048-085RWXT01		61.47	58.42	9	*
50	3600-S050-085RWXT01	64.01	60.96	9	*		
52	3600-S052-085RWXT01	66.55	63.50	8	*		
54	3600-S054-085RWXT01	69.09	66.04	8	*		
56	3600-S056-085RWXT01	71.63	68.58	8	*		
58	3600-S058-085RWXT01	74.17	71.12	7	*		
60	3600-S060-085RWXT01	76.71	73.66	7	*		

Dimensions 尺寸(Socket 插座)

PCB Layout 印刷电路板布局



Order Information 订购信息

Circuit 芯数	Sproduct height 产品高度 (mm)	Sart number 型号	Slating 电镀	Dimensions 尺		Parkage quantity 包装数量	Remake 可量产状态
				A	B	Q'ty/Tule 只/管装	
02	085=8.51	3600-S002-085MWXT01	WX: W0=Gold Flash/Matte Tin W3=10u" Gold/Matte Tin W5=30u" Gold/ Matte Tin	3.05	-	192	*
04		3600-S004-085MWXT01		5.59	2.54	104	*
06		3600-S006-085MWXT01		8.13	5.08	72	*
08		3600-S008-085MWXT01		10.67	7.62	54	*
10		3600-S010-085MWXT01		13.21	10.16	44	*
12		3600-S012-085MWXT01		15.75	12.70	37	*
14		3600-S014-085MWXT01		18.29	15.24	31	*
16		3600-S016-085MWXT01		20.83	17.78	27	*
18		3600-S018-085MWXT01		23.37	20.32	24	*
20		3600-S020-085MWXT01		25.91	22.86	22	*
22		3600-S022-085MWXT01		28.45	25.40	20	*
24		3600-S024-085MWXT01		30.99	27.94	18	*
26		3600-S026-085MWXT01		33.53	30.48	17	*
28		3600-S028-085MWXT01		36.07	33.02	16	*
30		3600-S030-085MWXT01		38.61	35.56	15	*
32		3600-S032-085MWXT01		41.15	38.10	14	*
34		3600-S034-085MWXT01		43.69	40.64	13	*
36		3600-S036-085MWXT01		46.23	43.18	12	*
38		3600-S038-085MWXT01		48.77	45.72	11	*
40		3600-S040-085MWXT01		51.31	48.26	11	*
42	3600-S042-085MWXT01	53.85	50.80	10	*		
44	3600-S044-085MWXT01	56.39	53.34	10	*		
46	3600-S046-085MWXT01	58.93	55.88	9	*		
48	3600-S048-085MWXT01	61.47	58.42	9	*		
50	3600-S050-085MWXT01	64.01	60.96	9	*		
52	3600-S052-085MWXT01	66.55	63.50	8	*		
54	3600-S054-085MWXT01	69.09	66.04	8	*		
56	3600-S056-085MWXT01	71.63	68.58	8	*		
58	3600-S058-085MWXT01	74.17	71.12	7	*		
60	3600-S060-085MWXT01	76.71	73.66	7	*		

3600Series

Model Numbering 型号命名

3600	-	S	XXX	-	XXX	X	XX	X	01
(1)		(2)	(3)		(4)	(5)	(6)	(7)	(8)
(1) Series (系列): 2.54mm BTB Series					(5) Contact Shape(接触形状): S=S/T DIP、R=R/A DIP M=S/T SMT				
(2) Product type (产品类型): S=Socket 插座					(6) Plating(电镀): W0=Gold Flash/Matte Tin W3=10u" Gold/Matte Tin、W5=30u" Gold/Matte Tin				
(3) Positions (位数): 002=2P.....060=60P					(7) Packing(包装): T=Tube、R=Reel&Reel				
(4) Housing High(塑胶高度): 085=8.51mm					(8) Running Number(流水码)				

3600	-	P	XXX	-	XXX	X	XX	X	01
(1)		(2)	(3)		(4)	(5)	(6)	(7)	(8)
(1) Series (系列): 2.54mm BTB Series					(5) Contact Shape(接触形状): S=S/T DIP、R=R/A DIP M=S/T SMT				
(2) Product type (产品类型): P=Plug插头					(6) Plating(电镀): W0=Gold Flash/Matte Tin W3=10u" Gold/Matte Tin、W5=30u" Gold/Matte Tin				
(3) Positions (位数): 002=2P.....060=60P					(7) Packing(包装): T=Tube、R=Reel&Reel				
(4) Housing High(塑胶高度): Standard(普通型): 085=8.51 Height-enhancing(增高型): 093=9.30、113=11.30 123=12.30、143=14.30、153=15.30、203=20.30、 253=25.30、303=30.30					(8) Running Number(流水码)				

Contact Us 联系我们

维峰电子股份有限公司(总部)
WCON ELECTRONICS CO.,LTD(HQ)
地址:广东省东莞市虎门镇大宁文明路15号
Add :No.15,Wenming Road,Danling Community, Humen Town,
Dongguan, Guangdong.523930, China

昆山维康电子有限公司
KUNSHAN WCON ELECTRONICS CO.,LTD(East of China)
地址:昆山市千灯镇汶浦中路169号
Add : No.169, WenPu Middle Road, QianDeng Town, Kunshan
City, Jiangsu Province, China

合肥维峰电子有限公司
HEFEI WCON ELECTRONICS CO.,LTD
地址:安徽合肥市高新技术开发区绿城科技园E栋2楼
Add : 2F, Building E, Greentown Science Park,High-tech Development Zone, Hefei, Anhui,China

维康电子(泰国)有限公司
WCON ELECTRONICS (Thailand) CO.,LTD
地址:泰国巴真武里府西玛铺县华瓦区洛加纳工业园
Add: VG3C+H57, Hua Wa, Si Maha Phot District, Prachin Buri
25140, Thailand

销售联系方式 Contacts Information

国际客户部 International sales department
salesdg01@wcon.com
salesdg05@wcon.com

大客户专线 Major customer dedicated department
华南: salesdg28@wcon.com
华东: salesks@wcon.com

中小客户专线 Public Customer hot line
华南: salesdg10@wcon.com
华东: salesks01@wcon.com

网络销售 Online sales department
salesdg26@wcon.com



Official Website



Product e-catalog



WeChat Public#



TikTok Public#