

### Overview

10.16mm pitch wire-to-board connectors. This series offers a comprehensive solution for signal and power connections. Utilizing advanced high-conductivity materials and gold-plated copper, each pin can handle currents up to 33A. Multiple mounting options—including mid-air mating, panel mounting, vertical mating, and horizontal mating—meet diverse customer requirements, establishing efficient and stable power and signal transmission bridges.

### 概述

10.16mm间距线到板连接器。是一款可提供从信号到电源连接的综合解决方案；针对该系列产品的材质，特别采用了新型高导电和金铜，使得该产品单个Pin位可承载电流高达33A。多种适配安装方式，如：空中对接&面板对接，垂直对接，水平对接，应对客户各类使用要求，搭建高效稳定的电源及信号传输桥梁。

### Features and Benefits

- Anti-misplug structure
- Supports high-current transmission (33A max), withstanding up to 3000V AC
- Three-contact terminal box design accommodates various vibration environments
- Dual-clip detachable design for simple and convenient operation

### 产品特点

- 防错插结构设计
- 支持大电流传输（33A 最大），耐压可达到3000V AC
- 端子三触点盒型结构设计，适应各种震动环境
- 双耳扣分离设计，操作简单便捷

### Product Applications

- Industrial: Semiconductor manufacturing equipment, servo drives, CNC machine tools, laser cutting machines
- Services: Servers, elevators, escalators, air conditioning systems

### 应用领域

- 工业：半导体制造设备、伺服驱动器、数控机床、激光切割机
- 服务：电梯、扶梯、空调、照明控制

### Standard 标准

- EIA-364, QC/1067

### UL certification UL认证

- E248993

### Material 材料

Part/零件	Material/材料	Finish/电镀	UL Flame retardant/阻燃等级
Housing/主体	PBT	Black/黑色	UL94V-0
Header/板端	PBT	Black/黑色	UL94V-0
Terminal/端子	Copper alloy 铜合金	Gold-plated/镀金 Tin-plated/镀锡	/

Production Specifications 产品规格

Current rating 额定电流	33.0A	Operating Temperature Range:-40°C~+125°C (including temperature rise) Operating Humidity Range:20-80% 工作温度范围: -40°C~+125°C(含温升) 工作湿度范围: ≤80%	Storage temperature: Humidity: 储存温度: 25±5°C 储存湿度: ≤60%
Voltage rating 额定电压	630V		

Item 项目	Condition 条件	Specification 规格
Insulation Resistance 绝缘电阻	Measured at 1000V DC for 1 minute 测试电压: 1000V DC/1分钟	No less than 1000MΩ 不少于1000MΩ
Withstanding voltage 耐电压	Measured at 3000V AC for 1 minute 测试电压: 3000V AC/1分钟	No breakdown, no discharge, leakage current <0.5 mA 无击穿、无放电、漏电流<0.5 mA
Contact Resistance 接触电阻	Measured at 100mA and no higher than 20mV 用20 mV DC进行测量	Contact resistance: Initial value/ 2 mΩ max After environmental tests/ 2 mΩ max. 接触电阻: 初始值 2 mΩ 以下 测试后 2 mΩ 以下
Vibration Resistance 抗振动	Vibration Frequency : 60~1200Hz Vibration Direction : X,Y,Z; Duration : 8 h each; (fig 3) 震动频率: 60~1200HZ 震动方向: X,Y,Z 持续时间: 8H各方向	The contacting resistance exceeds 7Ω for no more than 1μs. 连接电阻连续大于 7Ω的时间不超过 1μs
Temperature life 高温老化	Temperature : 125°C Duration : 1008H 温度: 125°C 时间: 1008H	Contact resistance: Initial value/ 2 mΩ max After environmental tests/ 2 mΩ max. 接触电阻: 初始值 2 mΩ 以下 测试后 2 mΩ 以下
Salt Spray 盐雾	Temperature:35±2°C Humidity:95~98%(R.H) PHValue : 6.5 ~ 7.2 Duration : 96 hours 温度: 35±2° C 湿度: 95~98%(R.H) PH值: 6.5~7.2 时间: 96 H	Contact resistance: Initial value/ 2 mΩ max After environmental tests/ 2 mΩ max. 接触电阻: 初始值 2 mΩ 以下 测试后 2 mΩ 以下
Durability(Mating/un- mating) 插拔寿命	25cycles 循环25次	Contact resistance: Initial value/ 2 mΩ max After environmental tests/ 2 mΩ max. 接触电阻: 初始值 2 mΩ 以下 测试后 2mΩ 以下

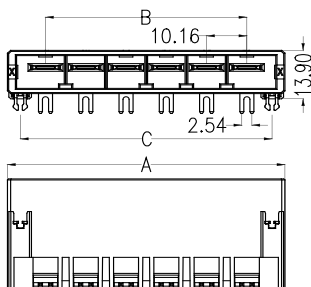
# WD10160 Series

## Order Information 订购信息

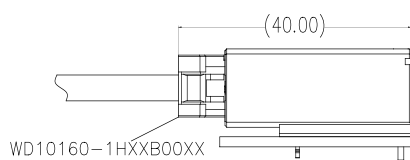
Circuit 芯数	Part number 型号		Plating 电镀	Dimensions 尺寸 (mm)			Package 包装 Qty/Reel 只/卷装	Remake 可量产 状态
	Key-X	Key-Y		A	B	C		
2	WD10160-1WR02WXBT01	WD10160-1WR02WXBT01	WX:	29.36	10.16	22.86	19	*
3	WD10160-1WR03WXBT01	WD10160-1WR03WXBT02	W4=15u"Gold /Matte Tin W4:	39.52	20.32	33.02	14	*
4	WD10160-1WR04WXBT01	WD10160-1WR04WXBT02		49.68	30.48	43.18	11	*
6	WD10160-1WR06WXBT01	WD10160-1WR06WXBT02	W5=30u"Gold /Matte Tin	70.00	50.80	63.50	8	*

Note: \* stands for mass production . 注: \*代表可量产

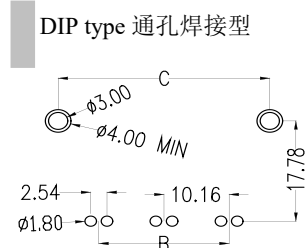
### Dimensions 尺寸 (R/A DIP)



### Assembly Schematic 装配示意



### PCB Layout 印刷电路板布局



### Key Layout Guide 键位说明

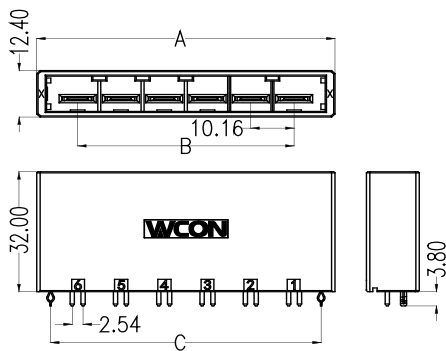
Foolproof No.	Key-X	Key-Y
2		
3		
4		
6		

Order Information 订购信息

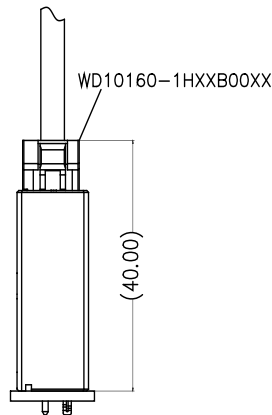
Circuit 芯数	Part number 型号		Plating 电镀	Dimensions 尺寸 (mm)			Package 包装 Qty/Reel 只/卷装	Remake 可量产 状态
	Key-X	Key-Y		A	B	C		
2	WD10160-1WS02WXB01	WD10160-1WS02WXB01	W4:	29.36	10.16	22.86	19	*
3	WD10160-1WS03WXB01	WD10160-1WS03WXB02	W4=15u"Gold /Matte Tin W4:	39.52	20.32	33.02	14	*
4	WD10160-1WS04WXB01	WD10160-1WS04WXB02	W4:	49.68	30.48	43.18	11	*
6	WD10160-1WS06WXB01	WD10160-1WS06WXB02	W5=30u"Gold /Matte Tin	70.00	50.80	63.50	8	*

Note: \* stands for mass production . 注: \*代表可量产

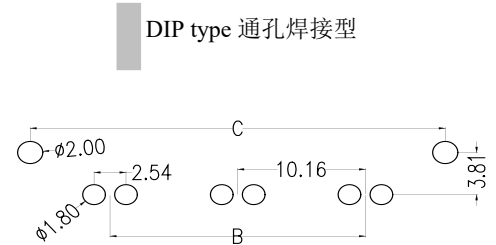
Dimensions 尺寸 (R/A DIP)



Assembly Schematic 装配示意



PCB Layout 印刷电路板布局



Key Layout Guide 键位说明

Foolproof No.	Key-X	Key-Y
2		
3		
4		
6		

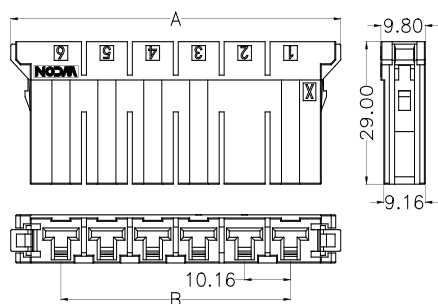
## WD10160 Series

### Order Information 订购信息

Circuit 芯数	Part number 型号		Dimensions 尺寸 (mm)		Parkage 包装 Q'ty/Reel 只/卷装	Remake 可量产 状态
	Key-X	Key-Y	A	B		
2	WD10160-1H02B001	WD10160-1H02B002	35.26	10.16	200	*
3	WD10160-1H03B001	WD10160-1H03B002	45.92	20.32	100	*
4	WD10160-1H04B001	WD10160-1H04B002	53.68	30.48	100	*
6	WD10160-1H06B001	WD10160-1H06B002	73.02	50.80	50	*

Note: \* stands for mass production . 注: \*代表可量产

### Dimensions 尺寸



### Key Layout Guide 键位说明

Foolproof No.	Key-X	Key-Y
2		
3		
4		
6		

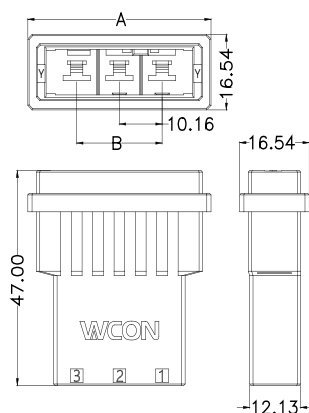
### Order Information 订购信息

Circuit 芯数	Part number 型号		Dimensions 尺寸 (mm)		Parkage 包装 Q'ty/Reel 只/卷装	Remake 可量产 状态
	Key-X	Key-Y	A	B		
2	WD10160-1HK02B001	WD10160-1HK02B002	33.44	10.16	200	
3	WD10160-1HK03B001	WD10160-1HK03B002	43.60	20.32	100	*
4	WD10160-1HK04B001	WD10160-1HK04B002	53.76	30.48	100	
6	WD10160-1HK06B001	WD10160-1HK06B002	74.08	50.80	50	

Note: \* stands for mass production . 注: \*代表可量产

### Key Layout Guide 键位说明

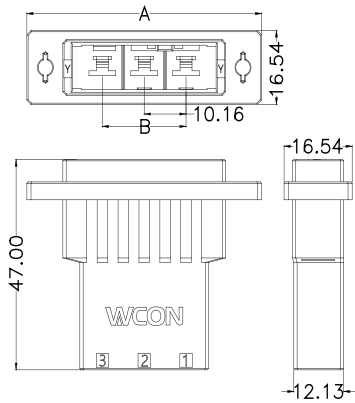
### Dimensions 尺寸



Foolproof No.	Key-X	Key-Y
2		
3		
4		
6		

# WD10160 Series

## Dimensions 尺寸



## Order Information 订购信息

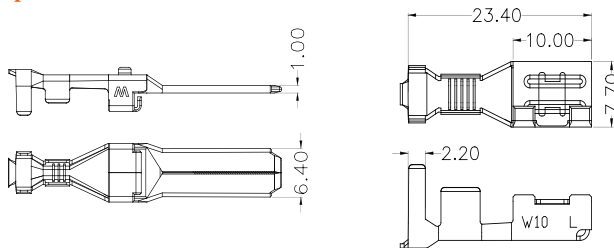
Circuit 芯数	Part number 型号		Dimensions 尺寸 (mm)		Package 包装 Qty/Reel 只/卷装	Remake 可量产 状态
	Key-X	Key-Y	A	B		
2	WD10160-1HG02B001	WD10160-1HG02B002	47.00	10.16	200	
3	WD10160-1HG03B001	WD10160-1HG03B002	57.00	20.32	100	*
4	WD10160-1HG04B001	WD10160-1HG04B002	67.16	30.48	100	
6	WD10160-1HG06B001	WD10160-1HG06B002	87.48	50.80	50	

Note: \* stands for mass production . 注: \*代表可量产

## Key Layout Guide 键位说明

Foolproof No.	2P	3P	4P	6P
Key-X				
Key-Y				

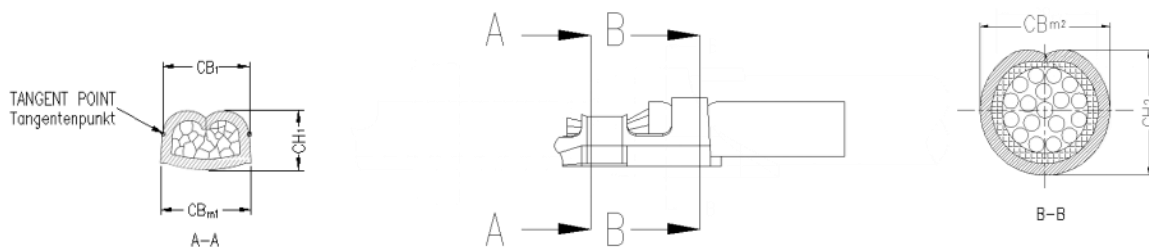
## Adaptor Terminal 适配端子



Part number 型号	Suitable wire diameter 适配线径
WD10160-XTD408XXXX	8AWG
WD10160-XTD410XXXX	10-12AWG
WD10160-XTD414XXXX	14-16AWG
WD10160-XTD416XXXX	16-20AWG

## Terminal Crimping Specification 端子压接规范

型号 Model number	电线类型 Wire type	电线规格 Wire size	线缆 OD (mm) Cable OD (mm)	剥线长度 (mm) Strip length (mm)	导体铆压 (A-A) Conductor crimp		导体铆压 (B-B) Conductor crimp	
					压接宽度CBm1 Crimping height CBm1+0.05mm	压接高度 Crimping height CH1+0.03mm	压接宽度CBm2 Crimping width CBm2+0.05mm	压接高度CH2 Crimping width CH2+0.08mm
WD10160-XTD408XXXX	UL1015	8AWG	6.70±0.10	7.80±0.10	5.20	3.33	6.65	6.40
WD10160-XTD410XXXX	UL1015	10AWG	5.10±0.10	7.80±0.10	4.40	3.11	5.32	5.10
		12AWG	3.30±0.10	5.60±0.10	4.40	2.53	5.30	4.84
WD10160-XTD414XXXX	UL1015	14AWG	3.50±0.10	5.60±0.10	3.22	2.18	4.40	4.18
		16AWG	3.05±0.10		3.15	2.11	4.30	3.90
WD10160-XTD416XXXX	UL1015	16AWG	3.05±0.10	5.30±0.10	2.85	2.02	4.10	3.70
		18AWG	2.70±0.10		2.80	1.72	3.95	3.50
		20AWG	2.60±0.10		2.70	1.68	3.90	3.50



Model Numbering 型号命名

<b>WD10160</b>	-	<b>1</b>	<b>WX</b>	<b>XX</b>	<b>W4</b>	<b>B</b>	<b>T</b>	<b>0X</b>
(1)		(2)	(3)	(4)	(5)	(6)	(7)	(8)
(1) Series (系列): 10.16mm Dyn Series				(5) Contact Plating (电镀): W4=15u" Gold /Matte Tin, W5=30u" Gold /Matte Tin				
(2) Number of rows (排数): 1=Single Row				(6) Color(颜色): B=Black				
(3) Terminal type (端子形态): WS=S/T DIP、WR=R/A DIP				(7) Packing (包装): T=Tube				
(4) Positions (位数): 02=2P、03=3P、04=4P、06=6P				(8) Running number (流水码): 01=Key-X、02=Key-Y				

<b>WD10160</b>	-	<b>1</b>	<b>H</b>	<b>XX</b>	<b>B</b>	<b>0</b>	<b>0X</b>
(1)		(2)	(3)	(4)	(5)	(6)	(7)
(1) Series (系列): 10.16mm Dyn Series				(5) Color(颜色): B=Black			
(2) Number of rows (排数): 1=Single Row				(6) Packing (包装): 0=PE Bag			
(3) Product type (产品类型): H=Crimp Type Housing				(7) Running number (流水码): 01=Key-X、02=Key-Y			
(4) Positions (位数): 02=2P、03=3P、04=4P、06=6P							

<b>WD10160</b>	-	<b>1</b>	<b>HK</b>	<b>XX</b>	<b>B</b>	<b>0</b>	<b>XX</b>
(1)		(2)	(3)	(4)	(5)	(6)	(7)
(1) Series (系列): 10.16mm Dyn Series				(5) Color(颜色): B=Black			
(2) Number of rows (排数): 1=Single Row				(6) Packing (包装): 0=PE Bag			
(3) Product type (产品类型): HK=Aerial Joints Housing				(7) Running number (流水码): 01=Key-X、02=Key-Y、			
(4) Positions (位数): 02=2P、03=3P、04=4P、06=6P							

<b>WD10160</b>	-	<b>1</b>	<b>HG</b>	<b>XX</b>	<b>B</b>	<b>0</b>	<b>XX</b>
(1)		(2)	(3)	(4)	(5)	(6)	(7)
(1) Series (系列): 5.08mm Dyn Series				(5) Color(颜色): B=Black			
(2) Number of rows (排数): 1=Single Row				(6) Packing (包装): 0=PE Bag			
(3) Product type (产品类型): HG=Panel mounted Housing				(7) Running number (流水码): 01=Key-X、02=Key-Y			
(4) Positions (位数): 02=2P、03=3P、04=4P、06=6P							

## Contact Us 联系我们

维峰电子股份有限公司(总部)  
 WCON ELECTRONICS CO.,LTD(HQ)  
 地址:广东省东莞市虎门镇大宁文明路15号  
 Add :No.15,Wenming Road,Danng Community, Humen Town,  
 Dongguan, Guangdong,523930, China

昆山维康电子有限公司  
 KUNSHAN WCON ELECTRONICIS CO.,LTD(East of China)  
 地址:江苏昆山市千灯镇汶浦中路169号  
 Add : No.169, WenPu Middle Road, QianDeng Town, Kunshan  
 City, Jiangsu Province, China

合肥维峰电子有限公司  
 HEFEI WCON ELECTRONICIS CO.,LTD  
 地址:安徽合肥市高新技术开发区绿城科技园E栋2楼  
 Add : 2F, Building E, Greentown Science Park,High-tech Develop-  
 ment Zone, Hefei, Anhui,China

维康电子(泰国)有限公司  
 WCON ELECTRONICS (Thailand) CO.,LTD  
 地址:泰国巴真武里府西玛铺县华瓦区洛加纳工业园  
 Add: VG3C+H57, Hua Wa, Si Maha Phot District, Prachin Buri  
 25140, Thailand

### 销售联系方式 Sales Contacts

国际客户部 International Sales Department  
 salesdg01@wcon.com  
 salesdg05@wcon.com

大客户专线 Key Account Line  
 华南: salesdg28@wcon.com  
 华东: salesks@wcon.com

中小客户专线 Small and Medium-sized Account Line  
 华南: salesdg10@wcon.com  
 华东: salesks01@wcon.com

网络销售 Online sales  
 salesdg26@wcon.com



Official Website



Product e-catalog



WeChat Public#



TikTok Public#