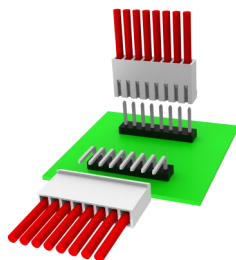


WF3962 Series

3.96mm pitch/Wire-to-board Connector

**Overview**

The WF3962 series products are suitable for medium to low power consumption applications. Their unique friction locking and anti-mating functions provide convenience for users, preventing incorrect insertion, while the simplified design also enables more efficient assembly for users.

Features and Benefits

- UL94V-0 grade materials are used
- Provides 2-24 positions selection
- Anti-mating structure and friction locking

Product Applications

- Industrial: automation equipment, industrial network
- Medical care: warm blood bag, medical equipment
- Home appliances: Laboratory equipment, surgical systems
- Data/Network: scanner, printer, mainframe

Standard 标准

- EIA-364

Material 材料

Part/零件	Material/材料	Finish/电镀	UL Flame retardant/阻燃等级
Housing/主体	PA66	White/白色	UL94V-0
Header/板端	PA46/PA66	Black/黑色 White/白色	UL94V-0 / UL94V-2
Terminal/端子	Brass 黄铜 (C2680) phosphor bronze 磷铜 (C5191)	Gold-plated/镀金 Tin-plated/镀锡	-

WF3962系列

3.96mm间距/线到板连接器

**概述**

WF3962系列产品适用于中到低功耗应用，其独特的摩擦锁定与防呆功能给使用者带来便利性，有防止错插的作用，同时简化式的设计也能为用户带更高效的组装。

产品特点

- 材料选用UL94V-0等级
- 提供2-24针数选择
- 防错插结构与摩擦锁定

应用领域

- 工业：自动化设备、工业网络
- 医疗：暖血袋、医疗设备
- 家电：洗碗机，冰柜，冰箱
- 数据/网络：扫描仪，打印机，大型主机

UL certification UL认证

- E248993

Production Specifications 产品规格

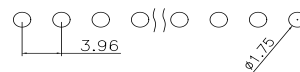
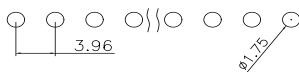
Current rating 额定电流	7.0 A	Operating temperature Range:-40° C~+105° C (including temperature rise) Operating Humidity Range:20-80% 工作温度范围: -40° C~+105° C(含温升) 工作湿度范围: 20-80%	Storage temperature: Humidity: 储存温度: 25±5° C 储存湿度: ≤60%
Voltage rating 额定电压	350V/AC		

Item 项目	Condition 条件	Specification 规格
Insulation Resistance 绝缘电阻	Measured at 1000V DC for 1 minute 测试电压: 1000V DC/1分钟	No less than 1000MΩ 不少于1000MΩ
Withstanding voltage 耐电压	Measured at 1500V AC for 1 minute 测试电压: 1500V AC/1分钟	No breakdown, no discharge, leakage current <0.5mA 无击穿、无放电、漏电流<0.5mA
Contact Resistance 接触电阻	Measured at 100mA and no higher than 20mV 用20 mV DC进行测量	Contact resistance: Initial value/ 10 mΩ max After environmental tests/ 20 mΩ max. 接触电阻: 初始值 10 mΩ 以下 测试后 20 mΩ 以下
Vibration Resistance 抗振动	Frequency : 10-1000 Hz Accelerated Velocity : 27.8 m/s ² Duration : 8h each /axis Vibration : X、Y、Z 频率: 10-1000 Hz 加速度: 27.8 m/s ² 时长: 8小时/轴 振动方向: X、Y、Z	No electrical discontinuity of 1μs or greater 试验过程中未发生1μs瞬断现象, 且外观无损伤, 电气性能正常
Humidity (Steady state) 湿度	Temperature : -25° C~65° C Humidity: 90 ~95% (R.H) Duration : 96 hours 温度: -25° C~65° C 湿度: 90~95% (R.H) 时间: 96小时	Contact resistance: Initial value/ 10 mΩ max After environmental tests/ 20 mΩ max. 接触电阻: 初始值 10 mΩ 以下 测试后 20 mΩ 以下
Salt Spray 盐雾	Temperature:35± 2°C Solution concentration : 5%NaCl PHValue : 6.5 ~ 7.2 Duration : 12hours 温度: 35±2° C 溶液浓度: 5%NaCl PH值: 6.5~7.2 时间: 12小时	Contact resistance: Initial value/ 10 mΩ max After environmental tests/ 20 mΩ max. 接触电阻: 初始值 10 mΩ 以下 测试后 20 mΩ 以下
Durability(Mating/un- mating) 插拔寿命	500 cycles 循环500次	Contact resistance: Initial value/ 10 mΩ max After environmental tests/ 20 mΩ max. 接触电阻: 初始值 10 mΩ 以下 测试后 20 mΩ 以下

PCB Layout 印刷电路板布局

(S/T)DIP type 通孔焊接型

(R/A)DIP type 通孔焊接型



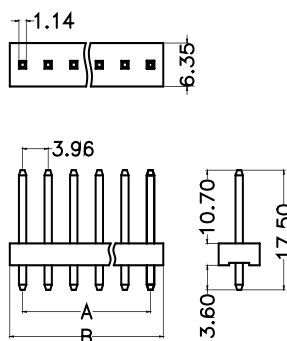
WF3962 Series

Order information 订购信息

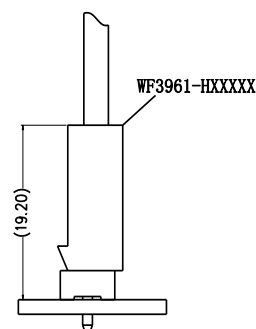
Circuit 芯数	Part number 型号		Dimensions 尺寸 (mm)		Parkage 包装 Qty/Bag只/袋装		Remake 可量产状态	
	S/T DIP	R/A DIP	A	B	S/T DIP	R/A DIP	S/T DIP	R/A DIP
2	WF3962-WS02XXW01	WF3962-WR02XXX01	3.96	7.92	700	700	*	*
3	WF3962-WS03XXW01	WF3962-WR03XXX01	7.92	11.88	600	600	*	*
4	WF3962-WS04XXW01	WF3962-WR04XXX01	11.88	15.84	500	400	*	*
5	WF3962-WS05XXW01	WF3962-WR05XXX01	15.84	19.80	450	200	*	*
6	WF3962-WS06XXW01	WF3962-WR06XXX01	19.80	23.76	200	100	*	*
7	WF3962-WS07XXW01	WF3962-WR07XXX01	23.76	27.72	200	100	*	*
8	WF3962-WS08XXW01	WF3962-WR08XXX01	27.72	31.68	200	200	*	*
9	WF3962-WS09XXW01	WF3962-WR09XXX01	31.68	35.64	180	100	*	*
10	WF3962-WS10XXW01	WF3962-WR10XXX01	35.64	39.60	180	100	*	*
11	WF3962-WS11XXW01	WF3962-WR11XXX01	39.60	43.56	100	100	*	*
12	WF3962-WS12XXW01	WF3962-WR12XXX01	43.56	47.52	100	100	*	*
13	WF3962-WS13XXW01	WF3962-WR13XXX01	47.52	51.48	100	100	*	*
14	WF3962-WS14XXW01	WF3962-WR14XXX01	51.48	55.44	100	50	*	*
15	WF3962-WS15XXW01	WF3962-WR15XXX01	55.44	59.40	100	50	*	*
16	WF3962-WS16XXW01	WF3962-WR16XXX01	59.40	63.36	100	50	*	*
17	WF3962-WS17XXW01	WF3962-WR17XXX01	63.36	67.32	100	50	*	*
18	WF3962-WS18XXW01	WF3962-WR18XXX01	67.32	71.28	50	50	*	*
19	WF3962-WS19XXW01	WF3962-WR19XXX01	71.28	75.24	50	50	*	*
20	WF3962-WS20XXW01	WF3962-WR20XXX01	75.24	79.20	50	50	*	*

Note: * stands for mass production . 注: *代表可量产

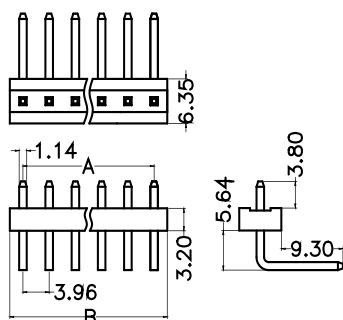
Dimensions 尺寸 (S/T DIP)



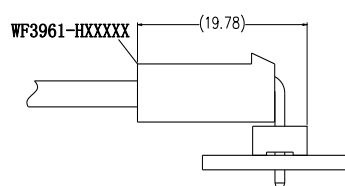
Assembly Schematic 装配示意



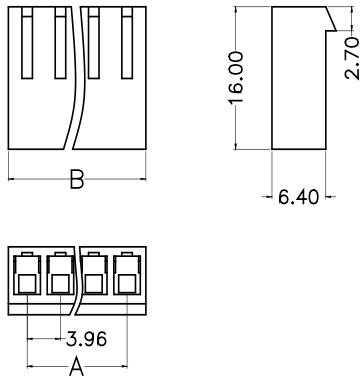
Dimensions 尺寸 (R/A DIP)



Assembly Schematic 装配示意



Dimensions 尺寸

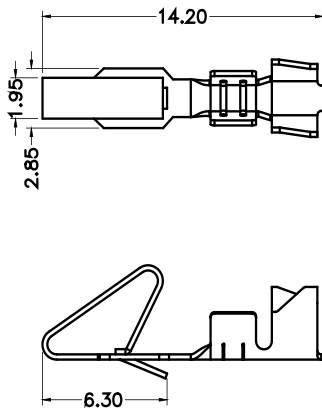


Order information 订购信息

Circuit 芯数	Part number 型号	Dimensions 尺寸 (mm)		Package 包装 Q'ty/Bag 只/ 袋装	Remake 可量产状态
		A	B		
2	WF3961-H02W01	3.96	8.22	1000	*
3	WF3961-H03W01	7.92	12.18	1000	*
4	WF3961-H04W01	11.88	16.14	1000	*
5	WF3961-H05W01	15.84	20.10	1000	*
6	WF3961-H06W01	19.80	24.06	1000	*
7	WF3961-H07W01	23.76	28.02	1000	*
8	WF3961-H08W01	27.72	31.98	1000	*
9	WF3961-H09W01	31.68	35.94	1000	*
10	WF3961-H10W01	35.64	39.90	1000	*
11	WF3961-H11W01	39.60	43.86	1000	
12	WF3961-H12W01	43.56	47.82	1000	*
13	WF3961-H13W01	47.52	51.78	1000	
14	WF3961-H14W01	51.48	55.74	1000	*
15	WF3961-H15W01	55.44	59.70	1000	

Note: * stands for mass production . 注: *代表可量产

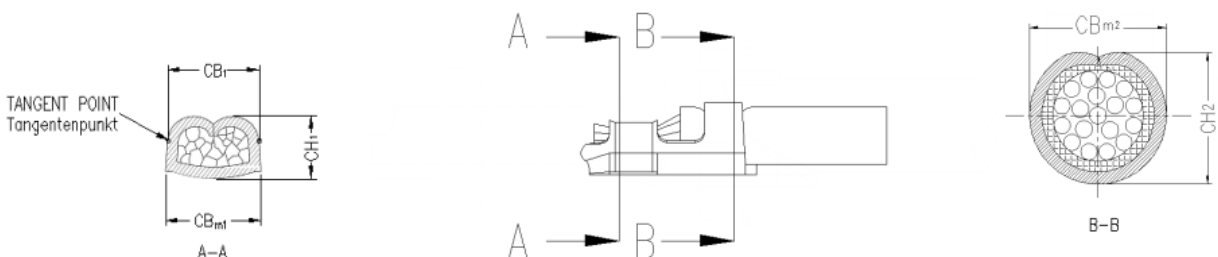
Adaptor Terminal 适配端子



Part number 型号	Suitable wire diameter 适配线径
WF3961-TXXX01	18~20AWG

Terminal Crimping specification 端子压接规

型号 Model number	电线类型 Wire type	电线规格 Wire size	线缆 ID Cable ID (mm)	剥线长度 Strip length (mm)	导体铆压 (A-A) Conductor crimp		导体铆压 (A-A) Conductor crimp		
					压接宽度 CB1 Crimping width CB1±0.03mm	压接高度 CBm1 Crimping height CBm1+0.05mm	压接高度 CH1 Crimping height CH1±0.03mm	压接宽度 CBm2 Crimping width CBm2±0.05mm	压接高度 CH2 Crimping height CH2±0.08mm
WF3961-TXXX01	UL1007	18AWG	2.10±0.1	3.2±0.1	1.79	1.79	1.18	2.40	2.40
	UL1007	20AWG	1.80±0.1	3.2±0.1	1.76	1.76	1.04	2.20	2.20



WF3962 Series

Model numbering allocation 型号命名

WF3962	-	XX	XX	XX	X	0	X
(1)		(2)	(3)	(4)	(5)	(6)	(7)
(1) Series (系列): Wafer 3.96mm Series				(5) Color(颜色): B=Black、W=White			
(2) Terminal type (端子形态): WS=S/T DIP、WR=R/A DIP				(6) Packing (包装): 0=PE Bag			
(3) Circuit (位数): 02=2P.....20=20P				(7) Internal code (流水码)			
(4) Contact Plating (电镀): Blank=Tin、SX=xx u" Gold/Tin、GX=xx u" Gold							

WF3961	-	H	XX	W	0	1
(1)		(2)	(3)	(4)	(5)	(6)
(1) Series (系列): Wafer 3.96mm Series			(4) Color(颜色): W=White			
(2) Number of rows (行数): H=Crimp Type Housing			(5) Packing (包装): 0=PE Bag			
(3) Circuit (位数): 02=2P.....15=15P			(6) Internal code (流水码)			

Contact Us 联系我们

维峰电子股份有限公司(总部)
WCON ELECTRONICS CO.,LTD(HQ)
地址:广东省东莞市虎门镇大宁文明路15号
Add :No.15,Wenming Road,Danling Community, Humen Town, Dongguan, Guangdong.523930, China

昆山维康电子有限公司
KUNSHAN WCON ELECTRONICIS CO.,LTD(East of China)
地址:江苏昆山千灯镇汶浦中路169号
Add : No.169, WenPu Middle Road, QianDeng Town, Kunshan City, Jiangsu Province, China

合肥维峰电子有限公司
HEFEI WCON ELECTRONICIS CO.,LTD
地址:安徽合肥市高新技术开发区绿城科技园E栋2楼
Add : 2F, Building E, Greentown Science Park,High-tech Development Zone, Hefei, Anhui,China

维康电子(泰国)有限公司
WCON ELECTRONICS (Thailand) CO.,LTD
地址:泰国巴真武里府西玛铺县华瓦区洛加纳工业园
Add: VG3C+H57, Hua Wa, Si Maha Phot District, Prachin Buri 25140, Thailand

销售联系方式 Contacts Information

国际客户部 International sales department
salesdg01@wcon.com
salesdg05@wcon.com

大客户专线 Major customer dedicated department
华南: salesdg28@wcon.com
华东: salesks@wcon.com

中小客户专线 Public Customer hot line
华南: salesdg10@wcon.com
华东: salesks01@wcon.com

网络销售 Online sales department
salesdg26@wcon.com



Official Website



Product e-catalog



WeChat Public#



TikTok Public#