

HSF

NOTES:

Rated Current: 5.0AMP.(20°C,3*2P-3*15P)

3.0AMP.(20°C,3*16P-3*40P) $\Delta 1$

Contact Resistance: 20mΩ Max.

Withstand Voltage: 1000V AC/DC

Insulation Resistance: 1000MΩ Min.

Operation Temperature: -40°C to +125°C(Gold Plating)

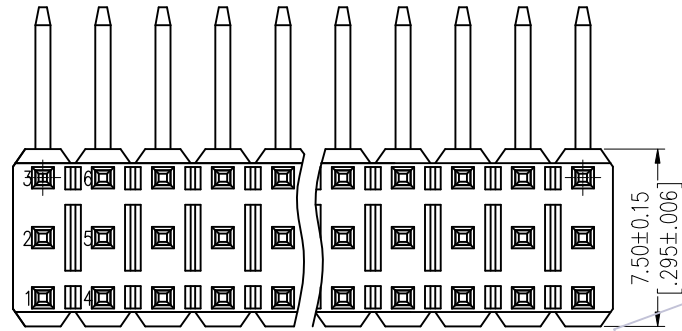
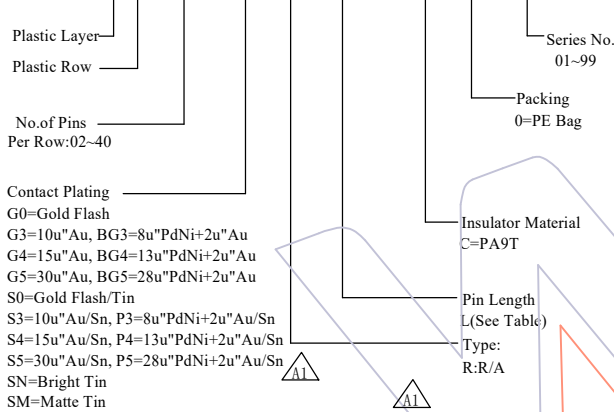
-40°C to +105°C(Tin Plating) $\Delta 1$

Contact Material: Copper Alloy

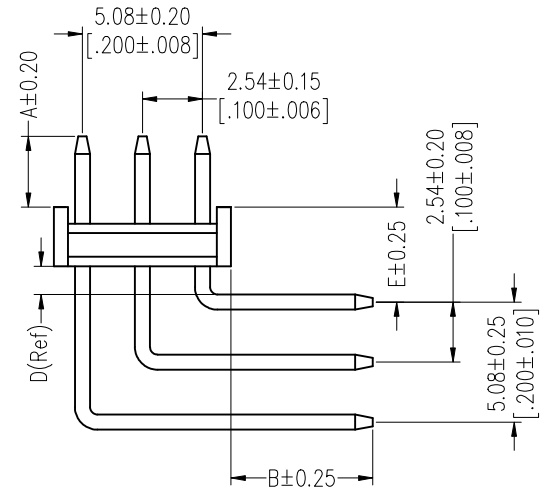
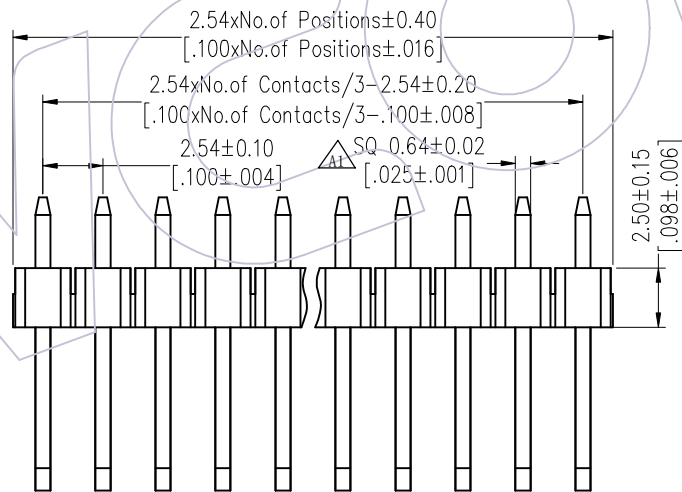
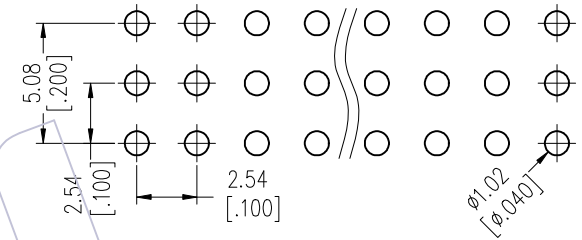
Contact Plating: Au or Sn Over 30u" Min Ni $\Delta 1$

Insulator Material: PA9T+G.F UL94V-0 BK $\Delta 1$

1125-1 3 XX XX R XXX C X XX $\Delta 1$



Recommended P.C.B Layout (Top Side)
(PCB BOARD TOLERANCE±0.05)
(PCB Thickness:T=1.60m)



Item	Pin Length Short/Middle/Long	A	D	E	B	Mating
Standard	11.3/16.3/21.3	3.00	1.2	4.02	3.5	2135/2150T/2157
	11.8/16.8/21.8				4.0	2145/2150
	12.8/17.8/22.8				5.0	2168T/2171T
	13.5/18.5/23.5				5.84	2171/2185X
Standard	10.3/15.3/20.3	2.0 (THR)	1.2	4.02	3.5	2135/2150T/2157
	10.8/15.8/20.8				4.0	2145/2150
	11.8/16.8/21.8				5.0	2168T/2171T
	12.5/17.5/22.5				5.84	2171/2185X
Alternate						

REV	DATE	MODIFICATION DESCRIPTION	CHANGE	OPERATION	DRAW	DATE	SCALE	Fit	PART NO.
A1	2025/06/03	Standardization Drawing	CP	x.X ±0.40	CP	2025/06/03	UNIT	mm [inch]	1125-13XXXXRXXXC0XX
AO	2020/04/28	NEW	Ruipeng	x.XX ±0.25	CHECK	2025/06/03	SIZE	A4	TITLE: 2.54mm Pin Header THREE ROW 90° PLANE BENDING H=2.5
				x.XXX ±0.15	TANG		SHEET	1/2	Customer NO.
				Angle ± 3°	APPROVE	2025/06/03	PROJ.		
				DIM TOL	Steven Zhao				



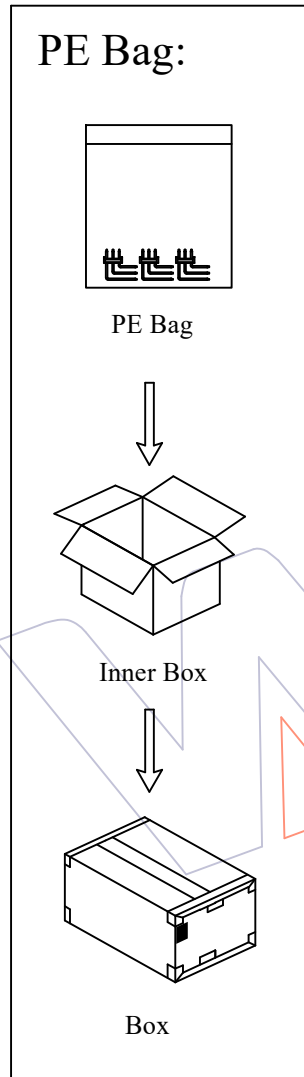
WCON-Dongguan Tel: +86 769 85358920 Fax: +86 769 85358915 E-mail: sales@wcon.com

WCON-Kunshan Tel: +86 512 57468408 Fax: +86 512 57468468 E-mail: salesks@wcon.com

HSF

Packing:

Packaging Quantity Refers To The Following Table



PINS /Row	Q'ty/Bag (10.0 < L ≤ 16.0)	PINS /Row	Q'ty/Bag (10.0 < L ≤ 16.0)
2	500	22	100
3	500	23	100
4	500	24	100
5	500	25	100
6	300	26	100
7	200	27	100
8	250	28	100
9	200	29	100
10	200	30	100
11	200	31	100
12	200	32	100
13	150	33	50
14	150	34	50
15	150	35	50
16	150	36	50
17	150	37	50
18	150	38	50
19	100	39	50
20	100	40	50
21	100		

REV	DATE	MODIFICATION DESCRIPTION	CHANGE	OPERATION	DRAW	DATE	SCALE	Fit	PART NO.
A1	2025/06/03	Standardization Drawing	CP	x.X ±0.40	CP	2025/06/03	UNIT	mm [inch]	1125-13XXXXRXXXC0XX
A0	2020/04/28	NEW	Ruipeng	x.XX ±0.25	CHECK	2025/06/03	SIZE	A4	TITLE: 2.54mm Pin Header THREE ROW 90° PLANE BENDING H=2.5
				x.XXX ±0.15	TANG		SHEET	2/2	Customer NO.
				Angle ± 3°	APPROVE	2025/06/03	PROJ.		
				DIM TOL	Steven Zhao				

WCON
[Http: www.wcon.com](http://www.wcon.com)

WCON-Dongguan WCON-Kunshan
 Tel: +86 769 85358920 Tel: +86 512 57468408
 Fax: +86 769 85358915 Fax: +86 512 57468468
 E-mail: sales@wcon.com E-mail: salesks@wcon.com

A
B
C
D
E
F
G

A
B
C
D
E
F
G