

# HSF

**NOTES:**

Rated Current: 3.0AMP.(20°C,2\*2P-2\*15P)  
 2.0AMP.(20°C,2\*16P-2\*40P) A5

Contact Resistance: 20mΩ Max.

Withstand Voltage: 500V AC/DC

Insulation Resistance: 1000MΩ Min.

Operation Temperature: -40°C to +125°C (Gold Plating) A2 A5  
 -40°C to +105°C (Tin Plating) A2 A5

Contact Material: Copper Alloy

Contact Plating: Au or Sn Over 30u" Min Ni A5

Insulator Material: PA9T+G.F UL94V-0 BK A5

## Ordering Information

1215- 2 2 XX XX S XXX C 0 XX A1

Plastic Layer

Plastic Row

No. of Pins Per Row: 02~40 A3

Contact Plating  
 G0=Gold Flash  
 G3=10u"Au, BG3=8u"PdNi+2u"Au  
 G4=15u"Au, BG4=13u"PdNi+2u"Au  
 G5=30u"Au, BG5=28u"PdNi+2u"Au  
 S0=Gold Flash/Tin  
 S3=10u"Au/Sn, P3=8u"PdNi+2u"Au/Sn  
 S4=15u"Au/Sn, P4=13u"PdNi+2u"Au/Sn  
 S5=30u"Au/Sn, P5=28u"PdNi+2u"Au/Sn  
 SN=Bright Tin A5  
 SM=Matte Tin

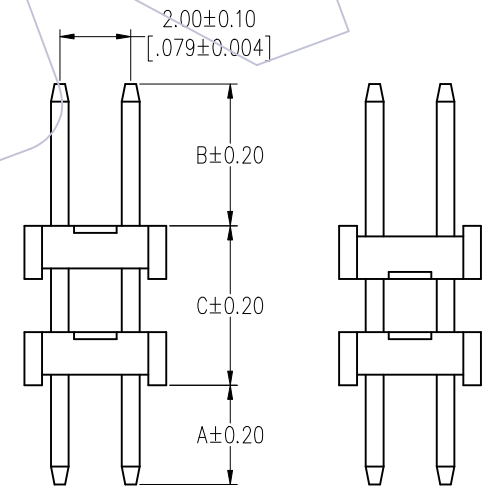
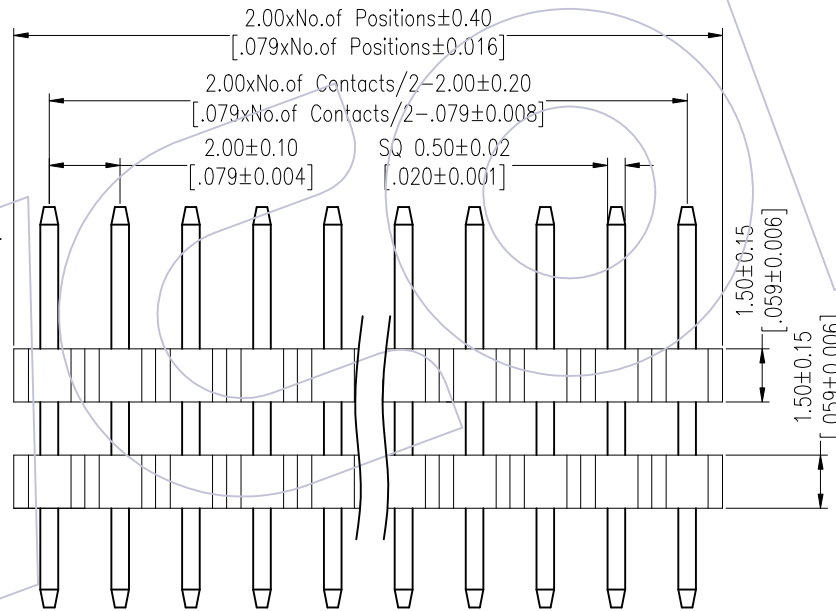
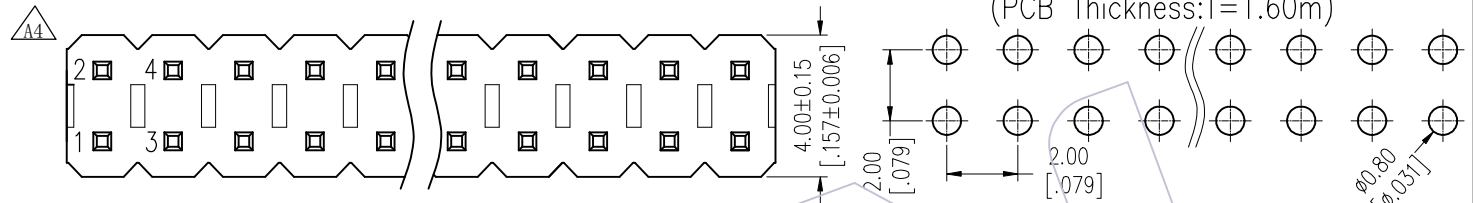
Insulator Material C=PA9T

Pin Length L (See Table)  
 Type: S:S/T

Series No. 01~99 A1

Packing 0=PE Bag

Recommended P.C.B Layout (Top Side)  
 (PCB BOARD TOLERANCE ±0.05)  
 (PCB Thickness: T=1.60mm)



TYPE 1

TYPE 2

A5	2025/07/31	Standardization Drawing	CP	OPERATION	DRAW	DATE	SCALE	Fit	PART NO.
A4	2023/09/21	Modify Plastic Appearance	DuYing	x.X ±0.40	CP	2025/07/31	UNIT	mm	1215-22XXXXXXCOXX <span style="border: 1px solid black; padding: 2px;">A1</span>
A3	2020/06/12	Modify Pin 02~40P	DuYing	x.XX ±0.25	CHECK	DATE	SIZE	A4	TITLE:
A0	2012/04/18	NEW	William Chen	x.XXX ±0.15	TANG	2025/07/31	SHEET	1/3	PH2.00 DUAL ROW DOUBLE PLASTIC 180° H=1.5
REV	DATE	MODIFICATION DESCRIPTION	CHANGE	Angle ± 3°	APPROVE	DATE	PROJ.		Customer NO.
				DIM TOL	Steven Zhao	2025/07/31			

**WCON**  
 Http: www.wcon.com

WCON-Dongguan  
 Tel: +86 769 85358920  
 Fax: +86 769 85358915  
 E-mail: sales@wcon.com

WCON-Kunshan  
 Tel: +86 512 57468408  
 Fax: +86 512 57468468  
 E-mail: salesks@wcon.com

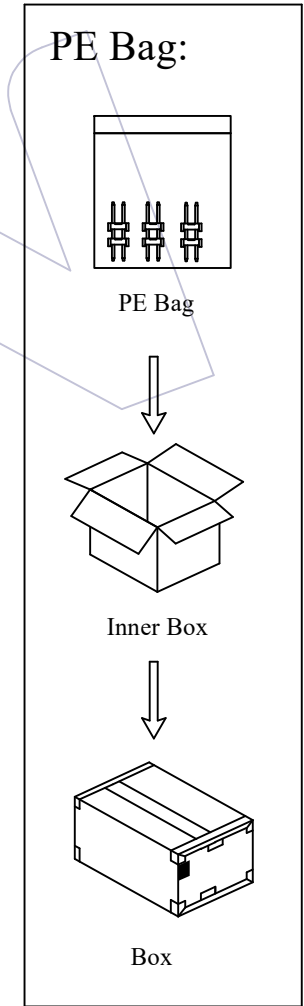
# HSF

Table 1

Item	L	C	A	B	Mating
Standard	12.3	7.0	2.80	2.5	2220T/2221/2228
	12.8			3.0	2227T/2228T/2245
	13.3			3.5	2235/2240N/2243C
	13.8			4.0	2240/2243/2245T/2263/2272
	13.3	8.0		2.5	2220T/2221/2228
	13.8			3.0	2227T/2228T/2245
	14.2			3.5	2235/2240N/2243C
	14.8			4.0	2240/2243/2245T/2263/2272
	15.0	9.8		2.5	2220T/2221/2228
	15.5			3.0	2227T/2228T/2245
	16.0			3.5	2235/2240N/2243C
	16.5			4.0	2240/2243/2245T/2263/2272
	16.3	10.9		2.5	2220T/2221/2228
	16.8			3.0	2227T/2228T/2245
	17.2			3.5	2235/2240N/2243C
	17.8			4.0	2240/2243/2245T/2263/2272
	17.5	12.2		2.5	2220T/2221/2228
	18.0			3.0	2227T/2228T/2245
	18.5			3.5	2235/2240N/2243C
	19.0			4.0	2240/2243/2245T/2263/2272
21.3	15.9	2.5	2220T/2221/2228		
21.8		3.0	2227T/2228T/2245		
22.2		3.5	2235/2240N/2243C		
22.7		4.0	2240/2243/2245T/2263/2272		
Alternate					

Item	L	C	A	B	Mating
Standard	11.5	7.0	2.0 (THR)	2.5	2220T/2221/2228
	12.0			3.0	2227T/2228T/2245
	12.5			3.5	2235/2240N/2243C
	13.0			4.0	2240/2243/2245T/2263/2272
	12.5	8.0		2.5	2220T/2221/2228
	13.0			3.0	2227T/2228T/2245
	13.5			3.5	2235/2240N/2243C
	14.0			4.0	2240/2243/2245T/2263/2272
	14.2	9.8		2.5	2220T/2221/2228
	14.8			3.0	2227T/2228T/2245
	15.3			3.5	2235/2240N/2243C
	15.8			4.0	2240/2243/2245T/2263/2272
	15.3	10.9		2.5	2220T/2221/2228
	15.8			3.0	2227T/2228T/2245
	16.3			3.5	2235/2240N/2243C
	16.8			4.0	2240/2243/2245T/2263/2272
	16.8	12.2		2.5	2220T/2221/2228
	17.5			3.0	2227T/2228T/2245
	17.8			3.5	2235/2240N/2243C
	18.5			4.0	2240/2243/2245T/2263/2272
20.3	15.9	2.5	2220T/2221/2228		
20.8		3.0	2227T/2228T/2245		
21.3		3.5	2235/2240N/2243C		
21.8		4.0	2240/2243/2245T/2263/2272		
Alternate					

Packing:



A5	2025/07/31	Standardization Drawing	CP	OPERATION	DRAW	DATE	SCALE	Fit	PART NO.
A4	2023/09/21	Modify Plastic Appearance	DuYing	x.X ±0.40	CP	2025/07/31	UNIT	mm	1215-22XXXXXXXCOXX
A3	2020/06/12	Modify Pin 02~40P	DuYing	x.xx ±0.25	CHECK	DATE	SIZE	A4	TITLE:
A0	2012/04/18	NEW	William Chen	x.xxx ±0.15	TANG	2025/07/31	SHEET	2/3	PH2.00 DUAL ROW DOUBLE PLASTIC 180° H=1.5
REV	DATE	MODIFICATION DESCRIPTION	CHANGE	Angle ± 3°	APPROVE	DATE	PROJ.		Customer NO.
				DIM TOL	Steven Zhao	2025/07/31			

Http: [www.wcon.com](http://www.wcon.com)

WCON-Dongguan  
Tel: +86 769 85358920  
Fax: +86 769 85358915  
E-mail: [sales@wcon.com](mailto:sales@wcon.com)

WCON-Kunshan  
Tel: +86 512 57468408  
Fax: +86 512 57468468  
E-mail: [salesks@wcon.com](mailto:salesks@wcon.com)

HSF

Packaging Quantity Refers To The Following Table

PINS /Row	Q'ty/Bag (10.0 < L ≤ 18.5)	PINS /Row	Q'ty/Bag (10.0 < L ≤ 18.5)	PINS /Row	Q'ty/Bag (18.5 < L < 40.0)	PINS /Row	Q'ty/Bag (18.5 < L < 40.0)
1	1000	21	100	1	1000	21	80
2	1000	22	100	2	500	22	80
3	1000	23	100	3	500	23	80
4	500	24	100	4	500	24	80
5	500	25	50	5	300	25	80
6	500	26	50	6	300	26	80
7	300	27	50	7	300	27	80
8	300	28	50	8	300	28	80
9	300	29	50	9	300	29	80
10	300	30	50	10	100	30	50
11	300	31	50	11	100	31	50
12	300	32	50	12	100	32	50
13	200	33	50	13	100	33	50
14	200	34	50	14	100	34	50
15	200	35	50	15	100	35	50
16	100	36	50	16	100	36	50
17	100	37	50	17	100	37	50
18	100	38	50	18	100	38	50
19	100	39	50	19	100	39	50
20	100	40	50	20	100	40	50

A5	2025/07/31	Standardization Drawing	CP	OPERATION	DRAW	DATE	SCALE	Fit	PART NO.
A4	2023/09/21	Modify Plastic Appearance	DuYing	x.X ±0.40	CP	2025/07/31	UNIT	mm	1215-22XXXXXXCOXX
A3	2020/06/12	Modify Pin 02~40P	DuYing	x.XX ±0.25	CHECK	DATE	SIZE	A4	TITLE:
A0	2012/04/18	NEW	William Chen	x.XXX ±0.15	TANG	2025/07/31	SHEET	3/3	PH2.00 DUAL ROW DOUBLE PLASTIC 180° H=1.5
REV	DATE	MODIFICATION DESCRIPTION	CHANGE	Angle ± 3°	APPROVE	DATE	PROJ.		Customer NO.
				DIM TOL	Steven Zhao	2025/07/31			

**WCON**  
Http: www.wcon.com

WCON-Dongguan Tel: +86 769 85358920  
WCON-Kunshan Tel: +86 512 57468408  
Fax: +86 769 85358915 Fax: +86 512 57468468  
E-mail: sales@wcon.com E-mail: salesks@wcon.com