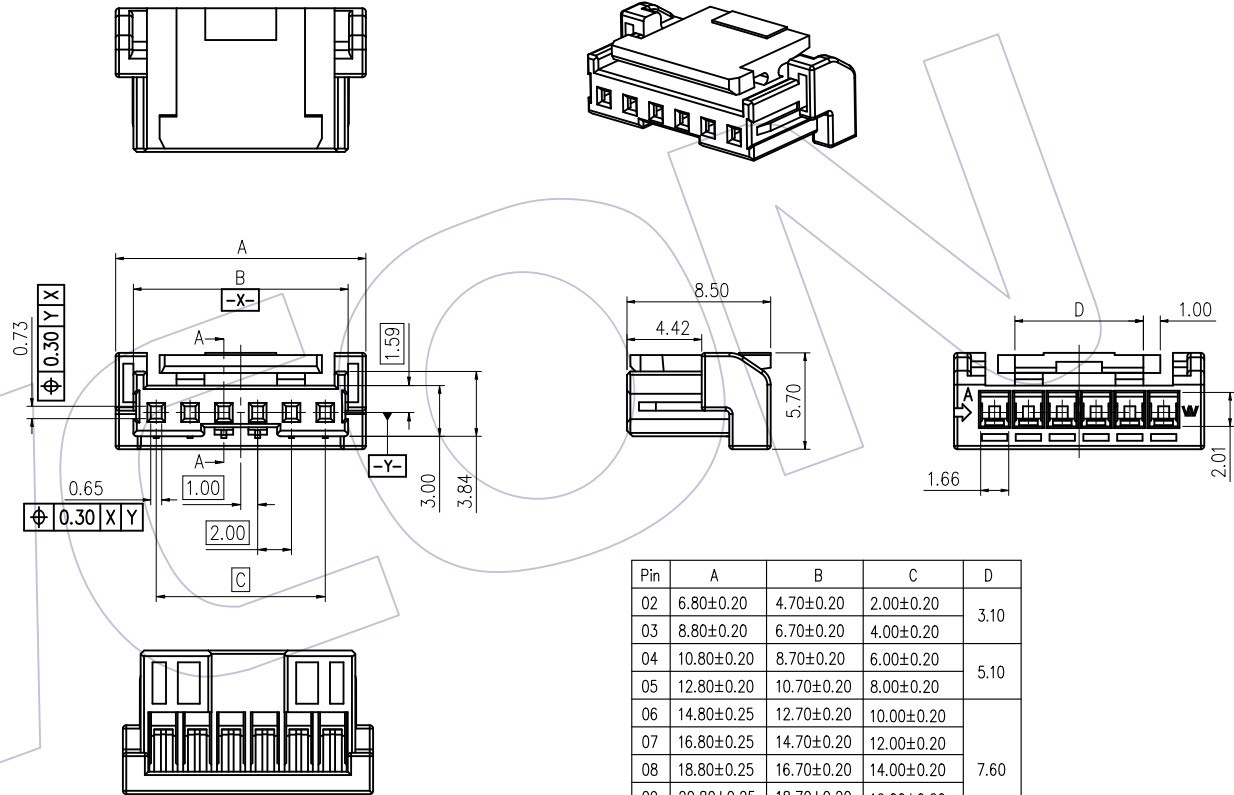


HSF

NOTES:
 Rated Current: 2P 4.7A, 3~8P 3.5A,
 9~16P 3.4A at 25±5°C;
 Rated Voltage: 250V
 Contact Resistance: Initial: 10mΩ Max.
 Final: 20mΩ Max;
 Withstand Voltage: 500V
 Insulation Resistance: 1000MΩ Min.
 Operation Temperature: -40°C to +125°C
 Housing Material: PBT, UL94V-0, Colour (See PN)



Ordering Information

WF2010 - 1 H XX X 0 1 W

Row
1=Single

HSG material characteristics
H=High temperature resistance

NO. of PIN
02=2 Pin
.....
16=16 Pin

HSG Colour
B=Black
T=Natural

W=WCON logo,
Blank=No logo

Internal code

Packing
0=Bag

Pin	A	B	C	D
02	6.80±0.20	4.70±0.20	2.00±0.20	3.10
03	8.80±0.20	6.70±0.20	4.00±0.20	
04	10.80±0.20	8.70±0.20	6.00±0.20	
05	12.80±0.20	10.70±0.20	8.00±0.20	5.10
06	14.80±0.25	12.70±0.20	10.00±0.20	
07	16.80±0.25	14.70±0.20	12.00±0.20	
08	18.80±0.25	16.70±0.20	14.00±0.20	7.60
09	20.80±0.25	18.70±0.20	16.00±0.20	
10	22.80±0.25	20.70±0.25	18.00±0.25	
11	24.80±0.30	22.70±0.25	20.00±0.25	11.60
12	26.80±0.30	24.70±0.25	22.00±0.25	
13	28.80±0.30	26.70±0.25	24.00±0.25	
14	30.80±0.30	28.70±0.25	26.00±0.25	
15	32.80±0.30	30.70±0.25	28.00±0.25	
16	34.80±0.30	32.70±0.25	30.00±0.25	

REV	DATE	MODIFICATION DESCRIPTION	CHANGE	OPERATION	DRAW	DATE	SCALE	1:1	PART NO.
0	2022/08/16	NEW	Miol	x.x ±0.40	Milo	2022/08/16	UNIT	mm	WF2010-1HXXX01(W)
				x.xx ±0.25	CHECK	DATE	SIZE	A4	TITLE:
				x.xxx ±0.15	APPROVE	DATE	SHEET	1/3	2.0mm HOUSING SINGLE CONNECTOR
				Angle ± 3°			PROJ.	Customer NO.	
				DIM TOL					

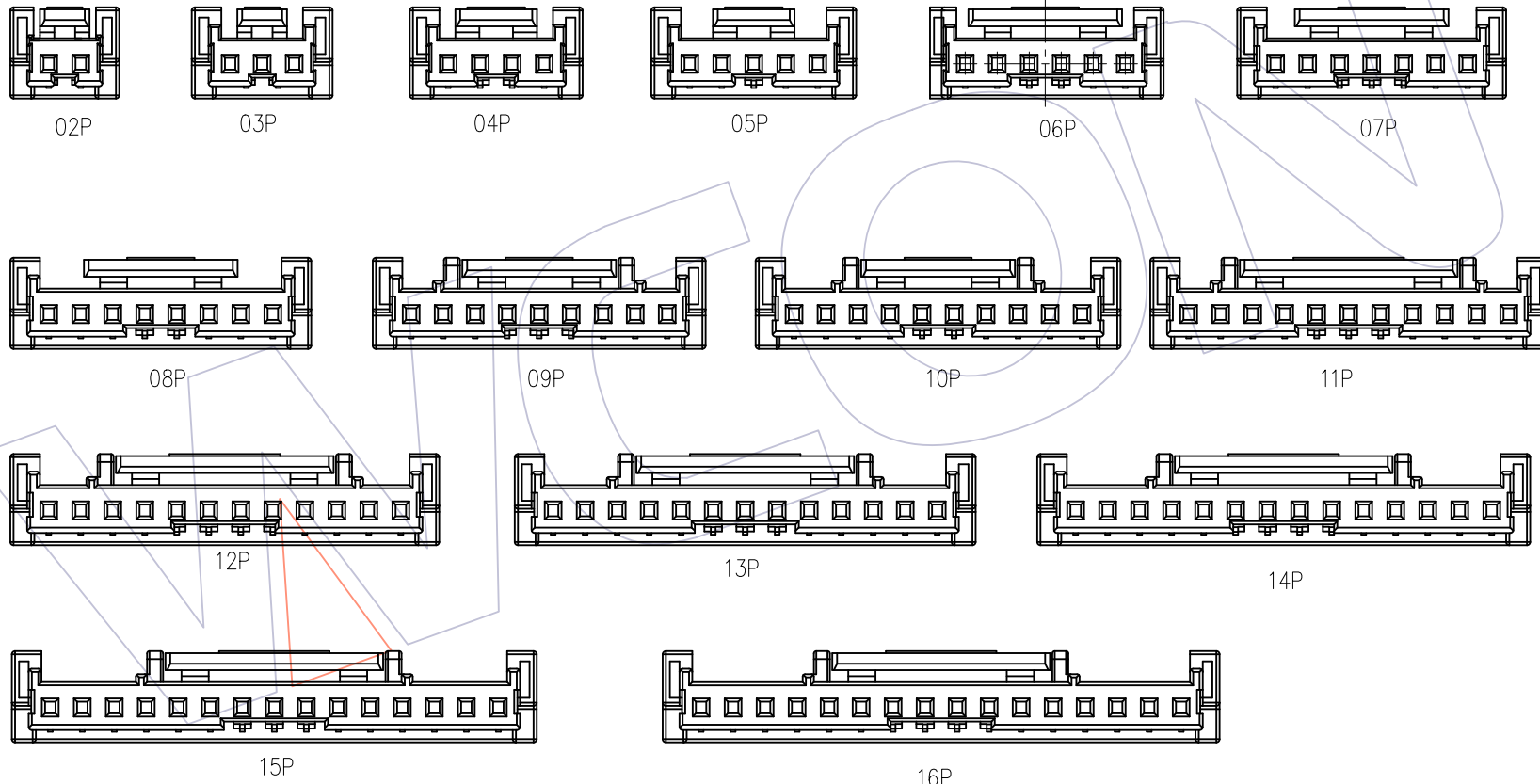
WCON

Http: www.wcon.com

WCON-Dongguan
 Tel: +86 769 85358920
 Fax: +86 769 85358915
 E-mail: sales@wcon.com

WCON-Kunshan
 Tel: +86 512 57468408
 Fax: +86 512 57468468
 E-mail: salesks@wcon.com

HSF



				OPERATION	DRAW	DATE	SCALE	1:1	PART NO.
				x.X ±0.40	Milo	2022/08/16	UNIT	mm	WF2010-1HXXX01(W)
				x.XX ±0.25	CHECK	DATE	SIZE	A4	TITLE:
0	2022/08/16	NEW	Milo	x.XXX ±0.15	APPROVE	DATE	SHEET	2/3	2.0mm HOUSING SINGLE CONNECTOR
REV	DATE	MODIFICATION DESCRIPTION	CHANGE	Angle ± 3'			PROJ.	⊕	Customer NO.
				DIM TOL					

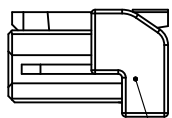
WCON

Http: www.wcon.com

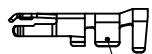
WCON-Dongguan Tel: +86 769 85358920 Fax: +86 769 85358915 E-mail: sales@wcon.com	WCON-Kunshan Tel: +86 512 57468408 Fax: +86 512 57468468 E-mail: salesks@wcon.com
---	--

HSF

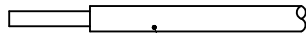
Client Application:



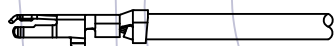
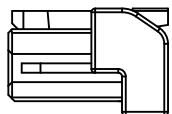
Housing



Terminal



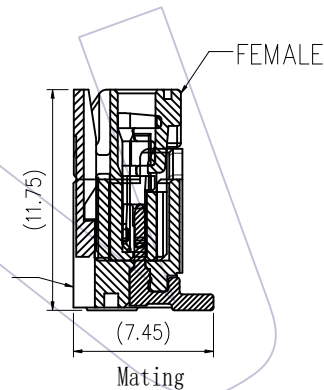
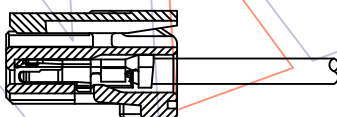
Cable



Crimp Cable

Matching Terminal: WF2010-TCXX01

The second step:
Insert the batting terminal

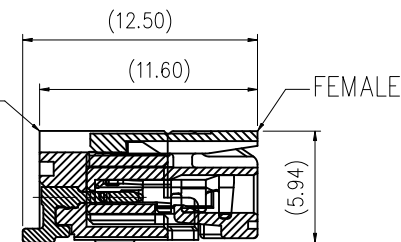


FEMALE

MALE

Mating

Matching products: WF2010-1WMHXXR01



FEMALE

MALE

Mating

Matching products: WF2010-1WZHXXR01

REV	DATE	MODIFICATION DESCRIPTION	CHANGE	OPERATION	DRAW	DATE	SCALE	1:1	PART NO.
0	2022/08/16	NEW	Miol	x.x ±0.40	Milo	2022/08/16	UNIT	mm	WF2010-1HXX01(W)
				x.xx ±0.25	CHECK	DATE	SIZE	A4	TITLE:
				x.xxx ±0.15	APPROVE	DATE	SHEET	3/3	2.0mm HOUSING SINGLE CONNECTOR
				Angle ± 3°			PROJ.	⊕	Customer NO.
				DIM TOL					

WCON

Http: www.wcon.com

WCON-Dongguan
Tel: +86 769 85358920
Fax: +86 769 85358915
E-mail: sales@wcon.com

WCON-Kunshan
Tel: +86 512 57468408
Fax: +86 512 57468468
E-mail: salesks@wcon.com