

HSF

NOTES:

- 1.Current Rating:8.0A Max AT 20°C(1 PIN);
- 2.Contact Resistance: 20mΩ Max;
- 3.Withstand Voltage: 1600V AC;
- 4.Insulation Resistance: 1000MΩ Min;
- 5.Operating Temperature: -40°C to +125°C;
- 6.Insulator Material: LCP,G.F,UL94V-0, NATURAL & BK;
- 7.Contact Material: Copper Alloy;
- 8.Contact plating:
SM: 100μ" Matte TIN Over 50μ" Nickel;
WX: xxμ" Gold on contact area (See ordering information),
100μ" Matte TIN on solder area,
50μ" Nickel underplating overall;
- 9.Recommended process:
IR soldering,Peak temperature:260±5°C, 5s ;

Ordering Information

3918-P XX-2 M XX W D X R 1

P=Plug

No.of Pins:

12=12P; 20=20P;
24=24P; 26=26P;
34=34P;

2=Dual Row

M=SMT

Contact Plating:

SM=Matte Sn
W0=Gold FLASH/Matte Tin
W3=10μ" Gold/Matte Tin
W5=30μ" Gold/Matte Tin

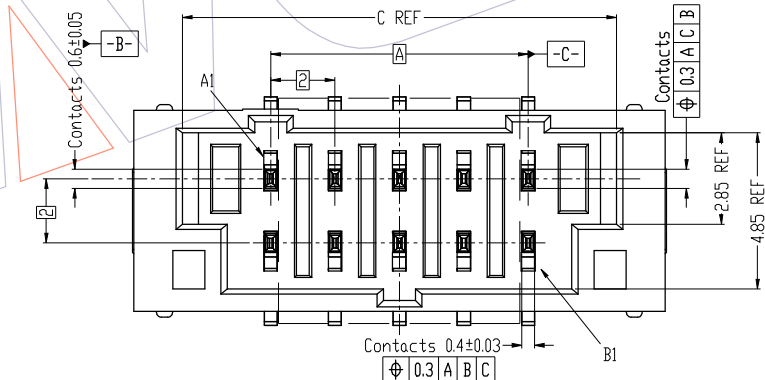
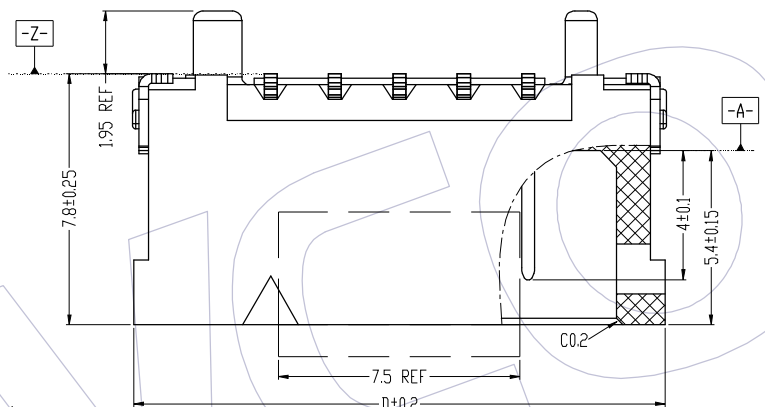
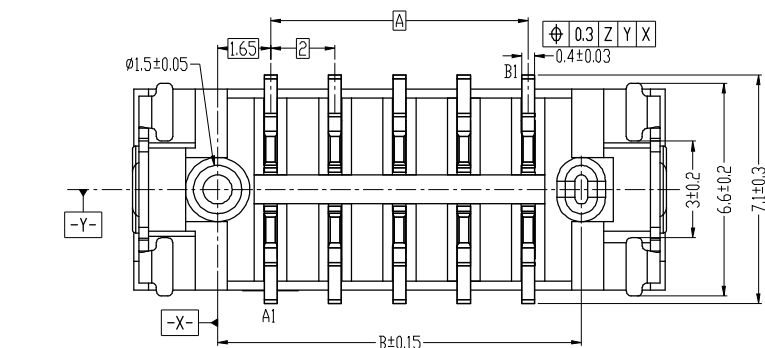
W=WITH GUIDE PIN AND FIXATOR

D=LCP

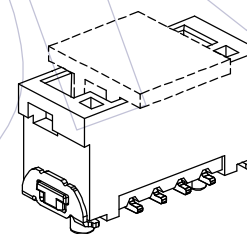
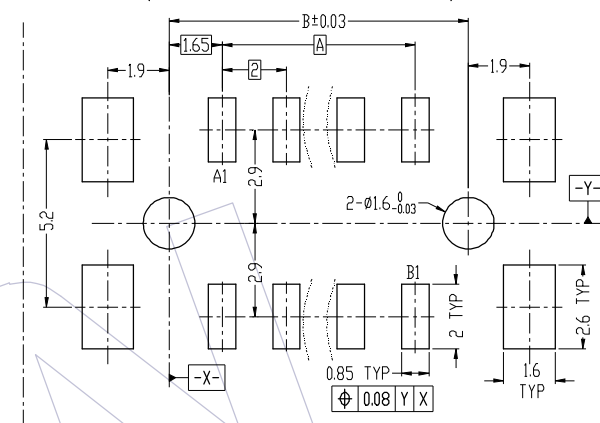
WCON internal code

R=Reel

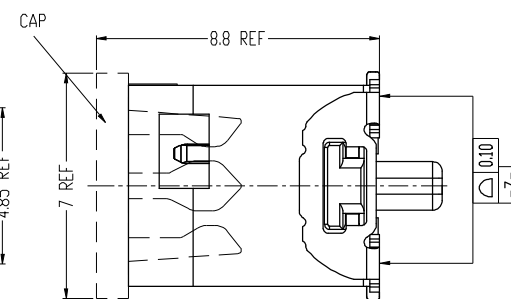
Color:
T=Natural
B=Black



Recommended P.C.B Layout(Top Side) (PCB BOARD TOLERANCE±0.05)



PIN	A	B	C	D
12	10.0	13.3	15.5	18.5
20	18.0	21.3	23.5	26.5
24	22.0	25.3	27.5	30.5
26	24.0	27.3	29.5	32.5
34	32.0	35.3	37.5	40.5



REV	DATE	MODIFICATION DESCRIPTION	CHANGE	OPERATION		DRAW	DATE	SCALE	FIT	PART NO.
				x.x	±0.40					
				x.xx	±0.25	CHECK	DATE	SIZE	A4	TITLE: 2.0mm BSC Series Dual Row Male 180° SMT Type
A0	2022. 04. 01	NEW		x.xxx	±0.15	APPROVE	DATE	SHEET	1/1	Customer NO.
				Angle	± 3'			PROJ.	Φ	

WCON

Http: www.wcon.com

WCON-Dongguan
Tel: +86 769 85358920
Fax: +86 769 85358915
E-mail: sales@wcon.com

WCON-Kunshan
Tel: +86 512 57468408
Fax: +86 512 57468468
E-mail: salesks@wcon.com