

HSF

NOTES:
 Rated Current: 0.75AMP.
 Contact Resistance: 30mΩ Max.
 Withstand Voltage: 500V AC/DC
 Insulation Resistance: 1000MΩ Min.
 Operation Temperature: -40°C to +125°C(GOLD)
 -40°C to +105°C(TIN)

Contact Material: Brass
 Contact Plating: Au Over Ni
 Insulator Material: PA9T+33%G.F UL94V-0 BK

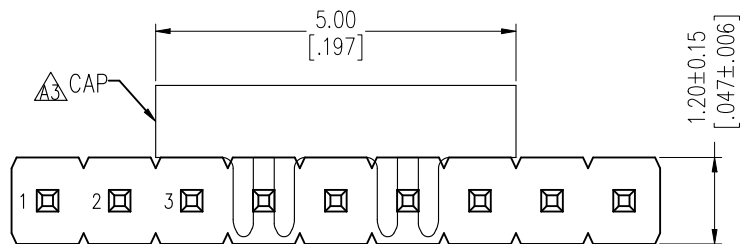
Ordering Information

1510-11 XX XX Z 055 C R XX

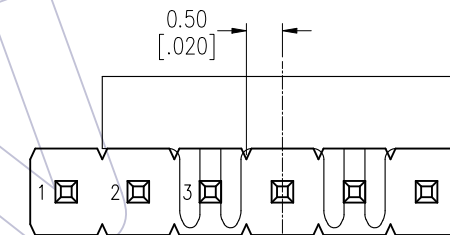
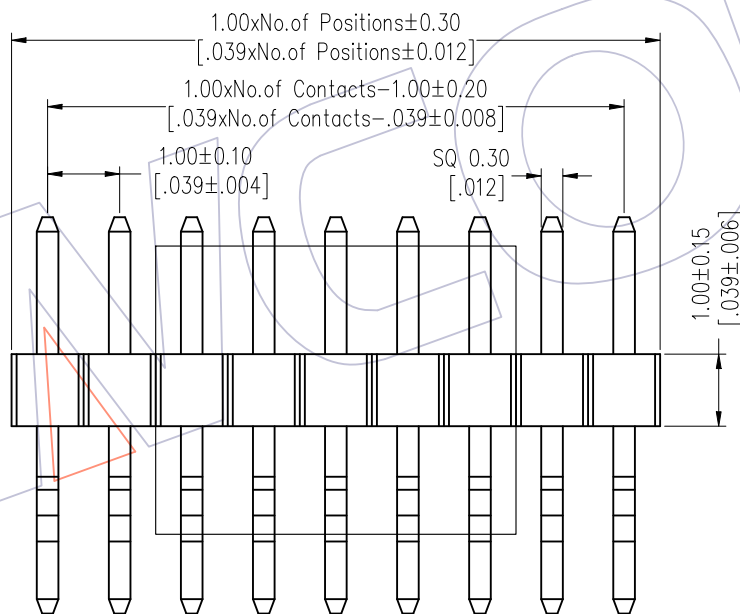
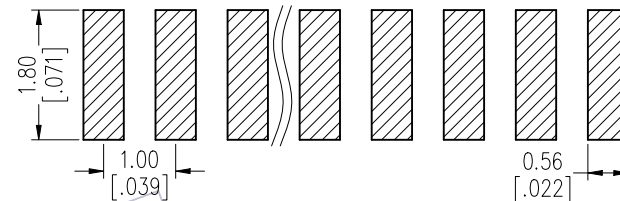
No. of Pins	Contact Plating	Pin Length	Insulator	Packing	Series No.
01~50	G0=Gold Flash	L=A+B+1.0	C=PA9T	A=Tray	01~99
	G3=10u"Gold	Standard:055=5.5		R=Tape&Reel+CAP	
	G4=15u"Gold				
	G5=30u"Gold				
	SN=Tin				
	SM=Matte Tin				

Item	Pin Length	A	B
Standard	5.5	2.60	1.90
Alternate			

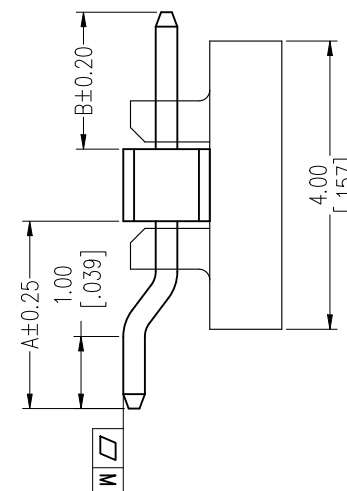
Recommended P.C.B Layout (Top Side)
 (PCB BOARD TOLERANCE±0.05)



Odd Numbers



Dual Numbers



A3	2018/09/07	MODIFY	-----	OPERATION	DRAW	DATE	SCALE	Fit	PART NO. 1510-11XXXXZXXXCXXX
A2	2018/01/05	MODIFY PART NO.	-----	x.X ±0.40	Ding	2018/09/07	UNIT	mm [inch]	
A1	2016/03/29	MODIFY 0.63 → 1.00		x.XX ±0.25	CHECK	DATE	SIZE	A4	TITLE: 1.00 Pin Header, SINGLE ROW, R/A&SMT, H=1.0
A0	2012/12/25	NEW	-----	x.XXX ±0.15			SHEET	1/1	
REV	DATE	MODIFICATION DESCRIPTION	CHANGE	Angle ± 3°	APPROVE	DATE	PROJ.		Customer NO.
				DIM TOL					

PIN	2-15P	16-30P	31-50P
M	0.10	0.15	0.20

WCON

Http: www.wcon.com
 WCON-Dongguan Tel: +86 769 85358920 Fax: +86 769 85358915 E-mail: sales@wcon.com
 WCON-Kunshan Tel: +86 512 57468408 Fax: +86 512 57468468 E-mail: salesks@wcon.com