

HSF

NOTES:

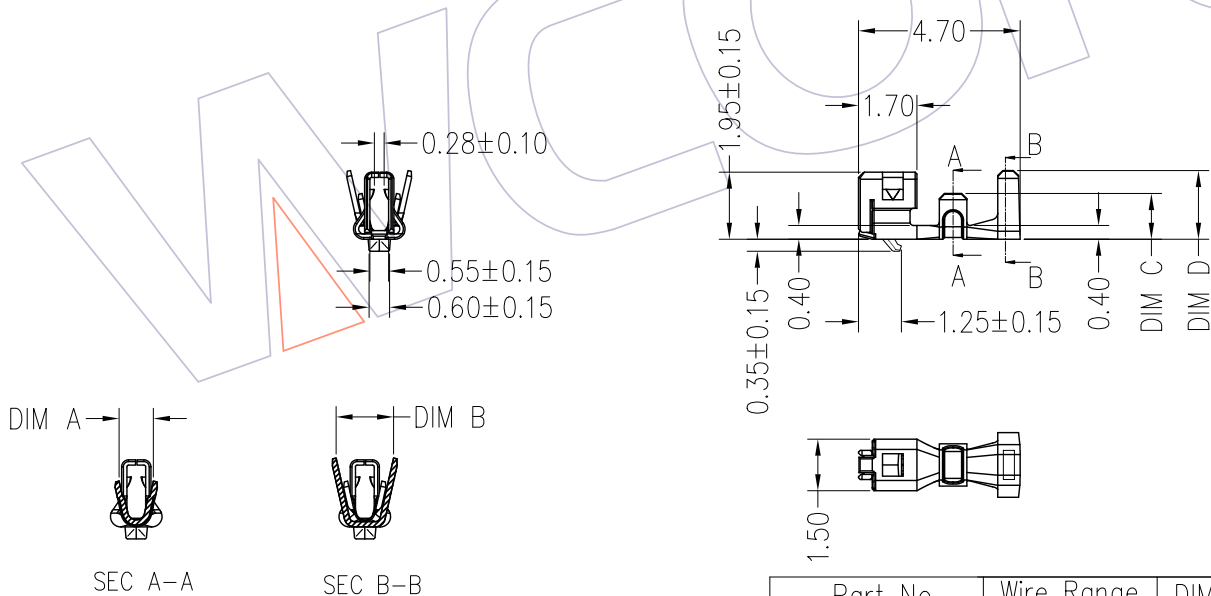
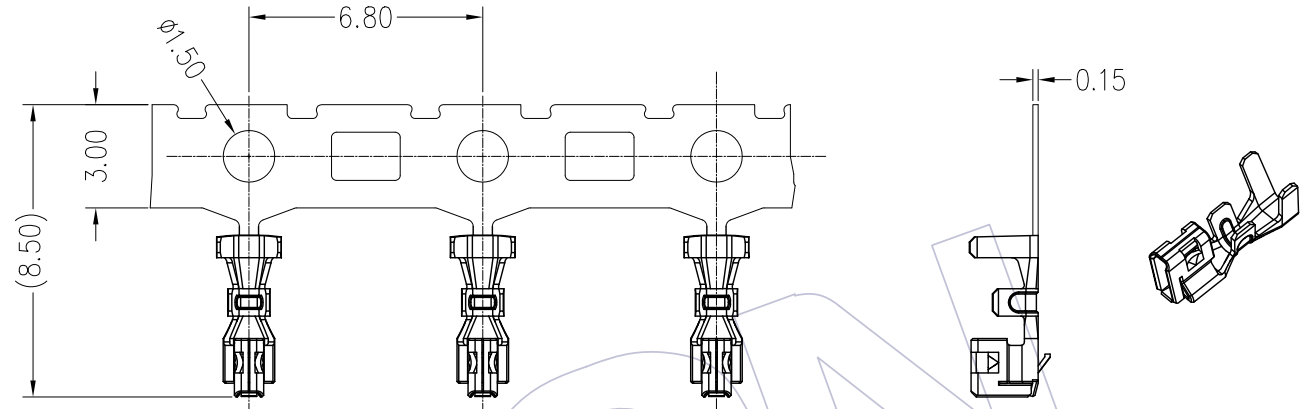
Current Rating: 2.0A Max AMP at 75°
 Contact Resistance: 20milliohm Max
 Operation Temperature: -40℃ to +105℃

Contact Material: Copper Alloy
 Contact plating: 100u" Tin over 50u" Nickel

Applicable Wire: AWG#24~#30; OD: ϕ 1.4mm Max

Ordering Information

WF2015-T P SN OX
 Internal Code
 P=Contcat material
 Plating SN=Bright Tin



Part No.	Wire Range	DIM A	DIM B	DIM C	DIM D
WF2015-TPSN01	AWG#24~#26	1.00	1.67	1.33	2.00
WF2015-TPSN02	AWG#28~#30	0.90	1.67	1.13	2.00

REV	DATE	MODIFICATION DESCRIPTION	CHANGE	OPERATION	DRAW	DATE	SCALE	FIT
A0	2020/11/25	NEW	-----	x.x ±0.40	Bruce	2020/11/25	UNIT	mm
				x.xx ±0.25	CHECK	DATE	SIZE	A4
				x.xxx ±0.15	APPROVE	DATE	SHEET	1/1
				Angle ± 3°			PROJ.	ϕ
				DIM TOL				

PART NO. WF2015-TPSN0X
TITLE: 2.00*2.50mm Wafer Contact,Mating Housing
Customer NO.

WCON
 Http: www.wcon.com

WCON-Dongguan Tel: +86 769 85358920 Fax: +86 769 85358915 E-mail: sales@wcon.com	WCON-Kunshan Tel: +86 512 57468408 Fax: +86 512 57468468 E-mail: salesks@wcon.com
---	--