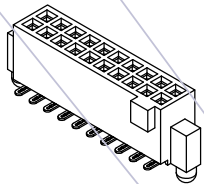


HSF

NOTES:
 Current Rating: 3.2AMP Per Pin(2 Pins Powered)
 Voltage Rating: 250VAC
 Contact Resistance: 30mΩ Max
 Withstand Voltage: 750VAC
 Insulation Resistance: 1000MΩ Min
 Operation Temperature: -55℃ to +125℃
 Contact Material: Copper Alloy
 Contact plating:
 XXu" Gold On Contact Area,
 (See Ordering Information)
 100u" Matte Tin On Solder Area
 50u" Nickel Underplating Overall
 Insulator And Cap Material: LCP,G.F,UL94V-0,Black

Recommended Process:
 Reflow Soldering, Peak Temperature: 260±5℃
 For 10+/-1s



3D VIEW

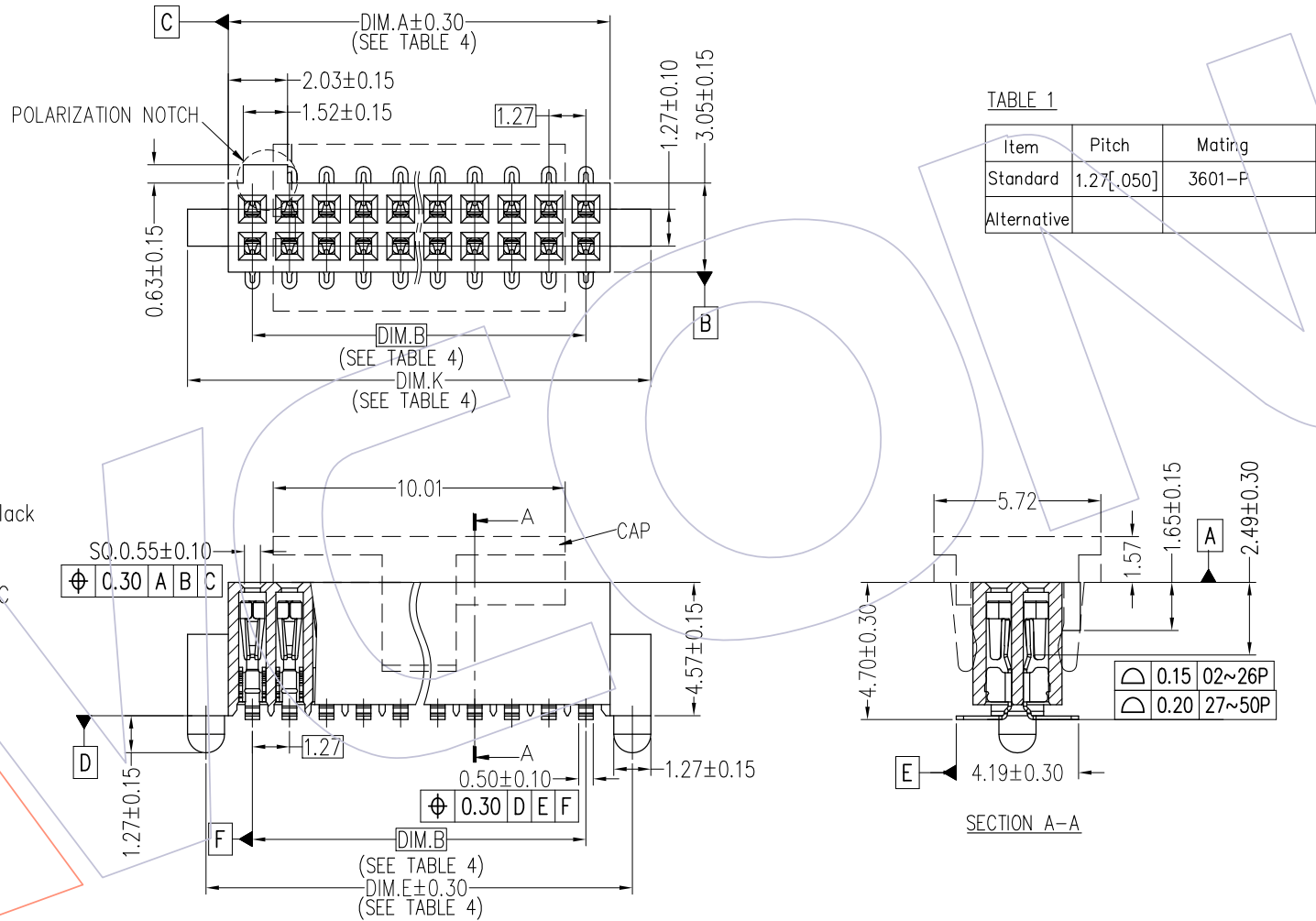


TABLE 1

Item	Pitch	Mating
Standard	1.27[.050]	3601-P
Alternative		

FIG. 1
 SURFACE MOUNT
 LEAD STYLE: -02

REV	DATE	MODIFICATION DESCRIPTION	CHANGE	OPERATION	DRAW	DATE	SCALE	FIT	PART NO.
AO	2021/10/20	NEW	Ken	x.x ±0.40	Ken	2021/10/20	UNIT	mm	3601-SXXX-BX1MXXX01
				x.xx ±0.25	CHECK	DATE	SIZE	A4	TITLE: 1.27mm BTB Female Header W=3.05, -A STYLE, SMT
				x.xxx ±0.15	APPROVE	DATE	SHEET	1/8	Customer NO.
				Angle ± 3°			PROJ.		
				DIM TOL					

WCON

Http: www.wcon.com

WCON-Dongguan
 Tel: +86 769 85358920
 Fax: +86 769 85358915
 E-mail: sales@wcon.com

WCON-Kunshan
 Tel: +86 512 57468408
 Fax: +86 512 57468468
 E-mail: salesks@wcon.com

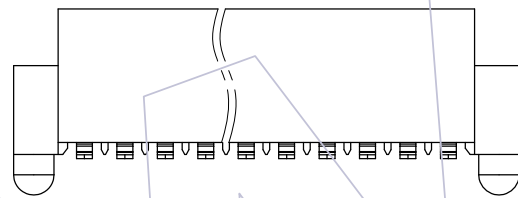
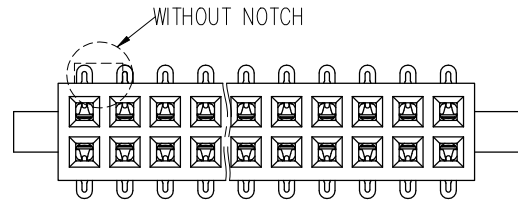
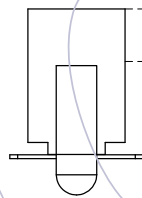
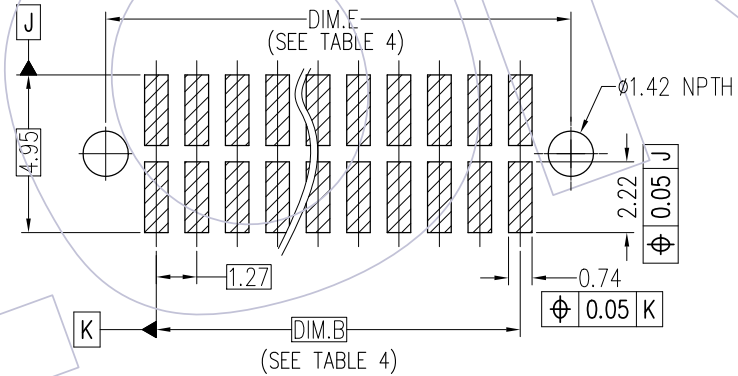



FIG. 2
WITHOUT NOTCH
(SAME AS FIG. 1, DIFFERENT AS SHOWN)



Recommended P.C.B Layout (Top Side)
(PCB BOARD TOLERANCE ±0.05)



				OPERATION	DRAW	DATE	SCALE	FIT	PART NO.	 Http: www.wcon.com WCON-Dongguan Tel: +86 769 85358920 Fax: +86 769 85358915 E-mail: sales@wcon.com	WCON-Kunshan Tel: +86 512 57468408 Fax: +86 512 57468468 E-mail: salesks@wcon.com
			x.x ±0.40	Ken	2021/10/20	UNIT	mm	3601-SXXX-BX1MXXX01			
			x.xx ±0.25	CHECK	DATE	SIZE	A4	TITLE: 1.27mm BTB Female Header W=3.05, -A STYLE, SMT			
AO	2021/10/20	NEW	x.xxx ±0.15	APPROVE	DATE	SHEET	2/8	Customer NO.			
REV	DATE	MODIFICATION DESCRIPTION	CHANGE	Angle ± 3°			PROJ.				
				DIM TOL							

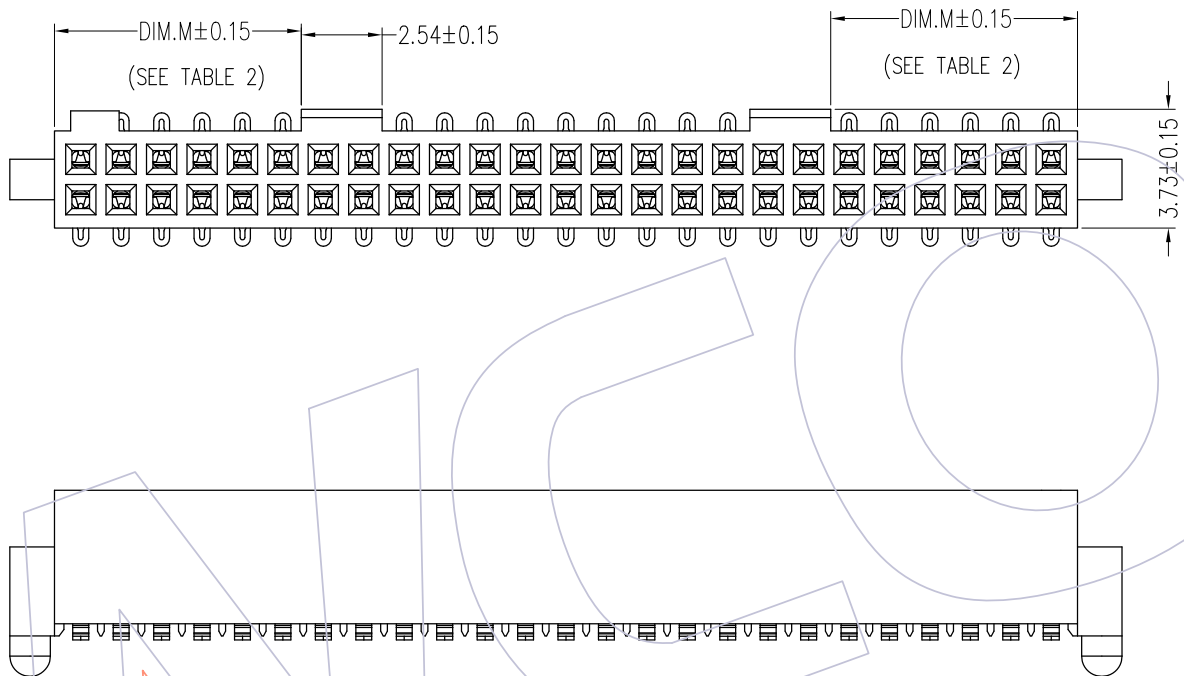


TABLE 2

NO. OF POS.	DIM.M
05, 07, 08	2.03
10 THRU 50	7.75

FIG. 3
 HOUSING WITH LOCKING
 POSITION 25 PER ROW
 (SAME AS FIG.1, DIFFERENT AS SHOWN)

REV	DATE	MODIFICATION DESCRIPTION	CHANGE	OPERATION	DRAW	DATE	SCALE	FIT	PART NO.
AO	2021/10/20	NEW	Ken	x.x ±0.40	Ken	2021/10/20	UNIT	mm	3601-SXXX-BX1MXXX01
				x.xx ±0.25	CHECK	DATE	SIZE	A4	TITLE: 1.27mm BTB Female Header W=3.05, -A STYLE, SMT
				x.xxx ±0.15	APPROVE	DATE	SHEET	3/8	Customer NO.
				Angle ± 3°			PROJ.		
				DIM TOL					

WCON
 Http: www.wcon.com

WCON-Dongguan
 Tel: +86 769 85358920
 Fax: +86 769 85358915
 E-mail: sales@wcon.com

WCON-Kunshan
 Tel: +86 512 57468408
 Fax: +86 512 57468468
 E-mail: salesks@wcon.com

HSF

Ordering Information

3601 - S XXX -B X1M XX X 01

No.Of Pins:
04-100Pin
(See Table 4)


Packaging :
R=Tape & Reel+ Cap
T=Tube
P=Tube + Cap

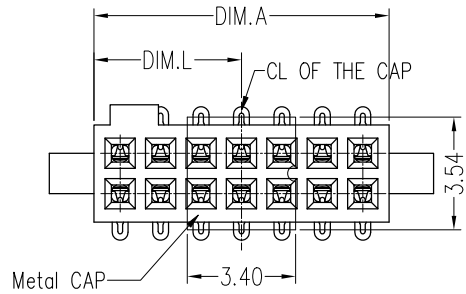
Housing Character:
1= Notch+No Bump Locking
2= No Notch+No Bump Locking
3= Notch+ Bump Locking
4= No Notch + Bump Locking
(SEE TABLE 4)

Contact Plating:
W1=3u" Gold/Matte Tin,
W2=5u" Gold/Matte Tin,
W3=10u" Gold/Matte Tin,
W4=15u" Gold/Matte Tin,
W5=30u" Gold/Matte Tin,

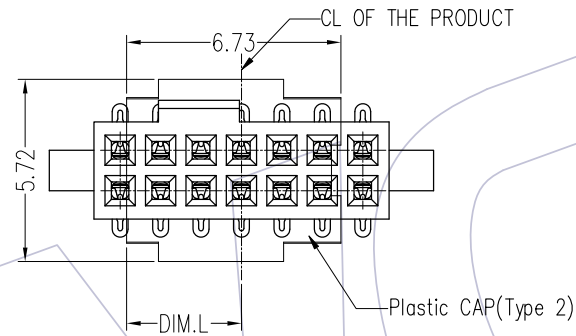
TABLE 5:

PIN No.(HOUSING WITH LOCKING)	PIN No.(HOUSING WITHOUT LOCKING)	Part Number	DIM.A	DIM.B	DIM.E	DIM.K
NA	4(2*2P)	3601-S004-BX1MXXX01	2.92	1.27	4.45	5.72
NA	6(2*3P)	3601-S006-BX1MXXX01	4.19	2.54	5.72	6.99
NA	8(2*4P)	3601-S008-BX1MXXX01	5.46	3.81	6.99	8.26
10(2*5P)	10(2*5P)	3601-S010-BX1MXXX01	6.73	5.08	8.26	9.53
NA	12(2*6P)	3601-S012-BX1MXXX01	8.00	6.35	9.53	10.80
14(2*7P)	14(2*7P)	3601-S014-BX1MXXX01	9.27	7.62	10.80	12.07
16(2*8P)	16(2*8P)	3601-S016-BX1MXXX01	10.54	8.89	12.07	13.34
20(2*10P)	20(2*10P)	3601-S020-BX1MXXX01	13.08	11.43	14.61	15.88
30(2*15P)	30(2*15P)	3601-S030-BX1MXXX01	19.43	17.78	20.96	22.23
40(2*20P)	40(2*20P)	3601-S040-BX1MXXX01	25.78	24.13	27.31	28.58
50(2*25P)	50(2*25P)	3601-S050-BX1MXXX01	32.13	30.48	33.66	34.93
60(2*30P)	60(2*30P)	3601-S060-BX1MXXX01	38.48	36.83	40.01	41.28
70(2*35P)	70(2*35P)	3601-S070-BX1MXXX01	44.83	43.18	46.36	47.63
80(2*40P)	80(2*40P)	3601-S080-BX1MXXX01	51.18	49.53	52.71	53.98
90(2*45P)	90(2*45P)	3601-S090-BX1MXXX01	57.53	55.88	59.06	60.33
100(2*50P)	100(2*50P)	3601-S100-BX1MXXX01	63.88	62.23	65.41	66.68

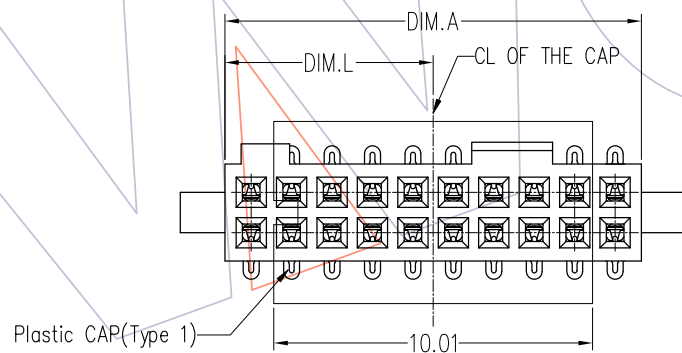
REV	DATE	MODIFICATION DESCRIPTION	CHANGE	OPERATION		DRAW	DATE	SCALE	FIT	PART NO.	TITLE:	 Http: www.wcon.com	
				x.x	±0.40								
				x.xx	±0.25	CHECK	DATE			3601-SXXX-BX1MXXX01	1.27mm BTB Female Header W=3.05, -A STYLE, SMT	WCON-Dongguan Tel: +86 769 85358920 Fax: +86 769 85358915 E-mail: sales@wcon.com	WCON-Kunshan Tel: +86 512 57468408 Fax: +86 512 57468468 E-mail: salesks@wcon.com
AO	2021/10/20	NEW	Ken	x.xxx	±0.15	APPROVE	DATE				Customer NO.		
				Angle	± 3'								
				DIM	TOL								



Housing Character	PIN No.	DIM.L
No Notch+No Bump Locking	2*2P~2*7P	DIM.L=1/2*DIM.A
Notch+No Bump Locking	2*5P	DIM.L=3.73
	2*6P~2*7P	DIM.L=1/2*DIM.A



Housing Character	PIN No.	DIM.L
No Notch + Bump Locking	2*5P	DIM.L=3.37
	2*7P	DIM.L=3.61
	2*8P	DIM.L=4.24
Notch+ Bump Locking	2*35~2*50P	DIM.L=2.97



Housing Character	PIN No.	DIM.L
No Notch+No Bump Locking	2*8P~2*50P	DIM.L=1/2*DIM.A
Notch+No Bump Locking	2*8P~2*50P	DIM.L=1/2*DIM.A
Notch+ Bump Locking	2*10P~2*13P	DIM.L=6.48
	2*14P~2*17P	DIM.L=11.56
	2*18P~2*34P	DIM.L=1/2*DIM.A

REV	DATE	MODIFICATION DESCRIPTION	CHANGE	OPERATION	DRAW	DATE	SCALE	FIT	PART NO.
AO	2021/10/20	NEW	Ken	x.x ±0.40	Ken	2021/10/20	UNIT	mm	3601-SXXX-BX1MXXX01
				x.xx ±0.25	CHECK	DATE	SIZE	A4	TITLE:
				x.xxx ±0.15	APPROVE	DATE	SHEET	6/8	1.27mm BTB Female Header W=3.05, -A STYLE, SMT
				Angle ± 3°			PROJ.	Customer NO.	
				DIM TOL					

WCON
Http: www.wcon.com

WCON-Dongguan Tel: +86 769 85358920 Fax: +86 769 85358915 E-mail: sales@wcon.com	WCON-Kunshan Tel: +86 512 57468408 Fax: +86 512 57468468 E-mail: salesks@wcon.com
---	--

HSF

TABLE 5:

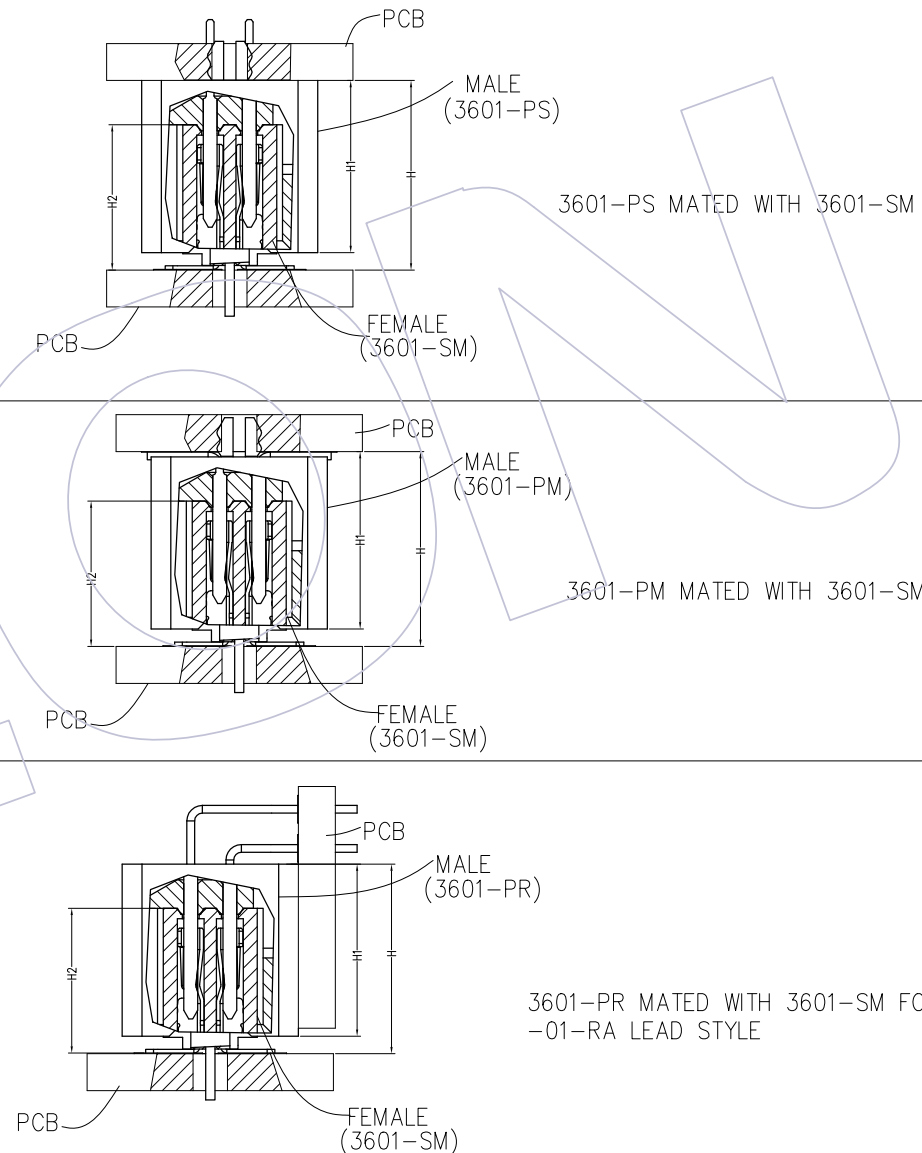
		ASS'Y HIGH(H)		MALE	FEMALE	WIPE	
		3601-SM LEAD STYLE				FULLY MATED	MIN @ H MAX
		-02					
		FULLY MATED	MAX				
3601-PS LEAD STYLE	-01	6.15	6.60	5.59	4.83	0.84	0.38
	-03	6.15	6.60	5.59	4.83	0.84	0.38
	-11	7.93	8.31	7.37	4.83	0.84	0.38
	-13	7.93	8.31	7.37	4.83	0.84	0.38
	-21	9.70	10.15	9.14	4.83	0.84	0.38
	-23	9.70	10.15	9.14	4.83	0.84	0.38
	-31	11.61	12.06	11.05	4.83	0.84	0.38

TABLE 6:

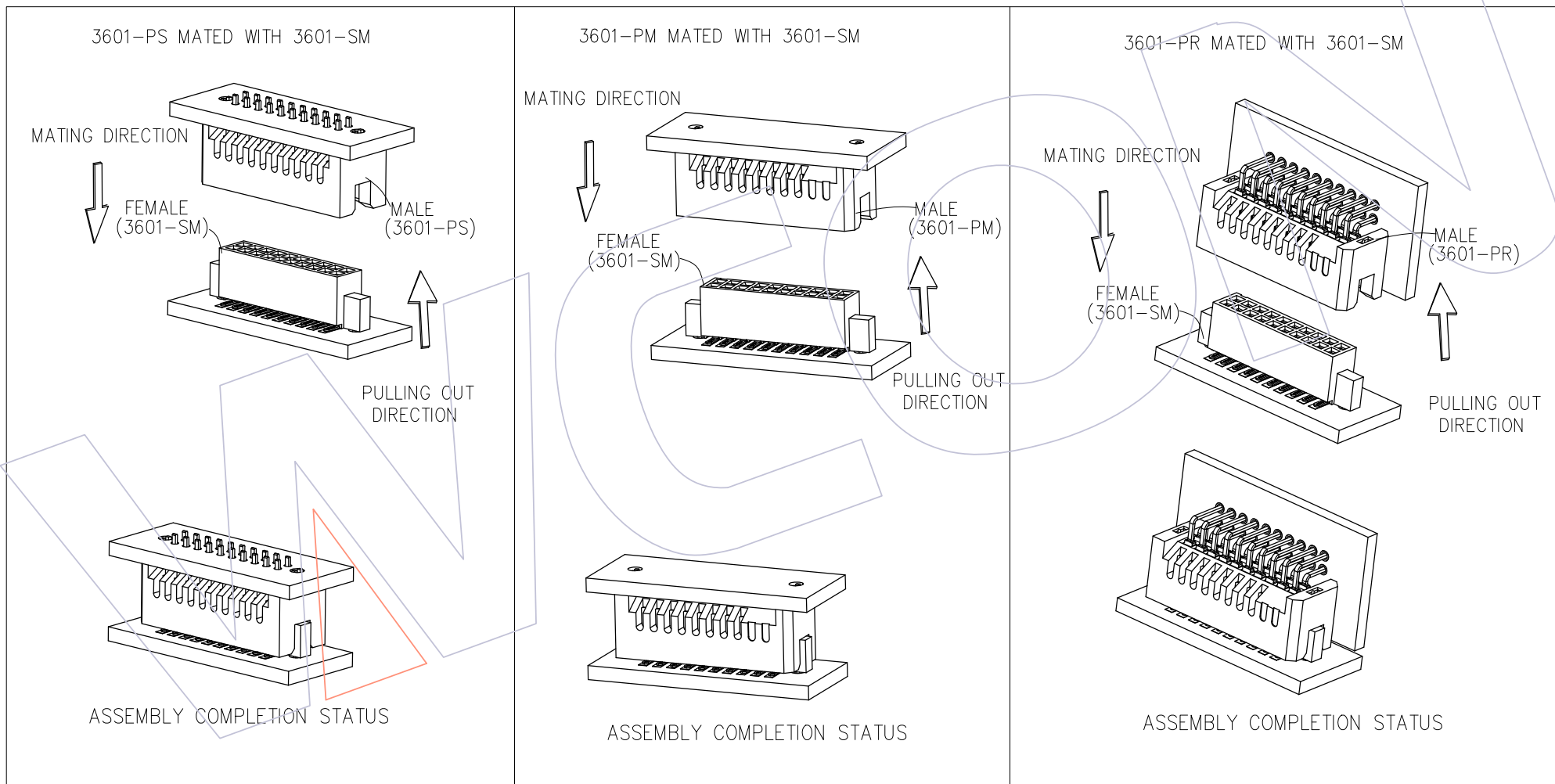
		ASS'Y HIGH(H)		MALE	FEMALE	WIPE	
		3601-SM LEAD STYLE				FULLY MATED	MIN @ H MAX
		-02					
		FULLY MATED	MAX				
3601-PM LEAD STYLE	-02	6.30	6.76	5.74	4.83	0.84	0.38
	-12	8.08	8.54	7.52	4.83	0.84	0.38
	-22	9.86	10.32	9.30	4.83	0.84	0.38
	-32	11.76	12.22	11.20	4.83	0.84	0.38


TABLE 7:

		ASS'Y HIGH(H)		MALE	FEMALE	WIPE	
		3601-SM LEAD STYLE				FULLY MATED	MIN @ H MAX
		-02					
		FULLY MATED	MAX				
3601-PR LEAD STYLE	-01-RA	6.15	6.60	5.59	4.83	0.84	0.38
	-01-RE1	6.13	6.60	6.10	4.83	0.84	0.38
	-01-RE2	6.13	6.60	6.10	4.83	0.84	0.38



REV	DATE	MODIFICATION DESCRIPTION	CHANGE	OPERATION		DRAW Ken	DATE 2021/10/20	SCALE UNIT	FIT mm	PART NO. 3601-SXXX-BX1MXXX01	TITLE: 1.27mm BTB Female Header W=3.05, -A STYLE, SMT	WCON	
				x.x	±0.40							WCON-Dongguan	
AO	2021/10/20	NEW	Ken	x.xx	±0.25	CHECK	DATE	SIZE	A4	Customer NO.	Tel: +86 769 85358920 Fax: +86 769 85358915 E-mail: sales@wcon.com	Tel: +86 512 57468408 Fax: +86 512 57468468 E-mail: salesks@wcon.com	
				x.xxx	±0.15	APPROVE	DATE	SHEET	7/8				
				Angle	± 3'			PROJ.					



				OPERATION	DRAW	DATE	SCALE	FIT	PART NO.	 Http: www.wcon.com
				x.x ±0.40	Ken	2021/10/20	UNIT	mm	3601-SXXX-BX1MXXX01	
				x.xx ±0.25	CHECK	DATE	SIZE	A4	TITLE:	
				x.xxx ±0.15	APPROVE	DATE	SHEET	8/8	1.27mm BTB Female Header W=3.05, -A STYLE, SMT	
AO	2021/10/20	NEW	Ken	Angle ± 3'			PROJ.	Customer NO.		WCON-Dongguan Tel: +86 769 85358920 Fax: +86 769 85358915 E-mail: sales@wcon.com
REV	DATE	MODIFICATION DESCRIPTION	CHANGE	DIM TOL						WCON-Kunshan Tel: +86 512 57468408 Fax: +86 512 57468468 E-mail: salesks@wcon.com