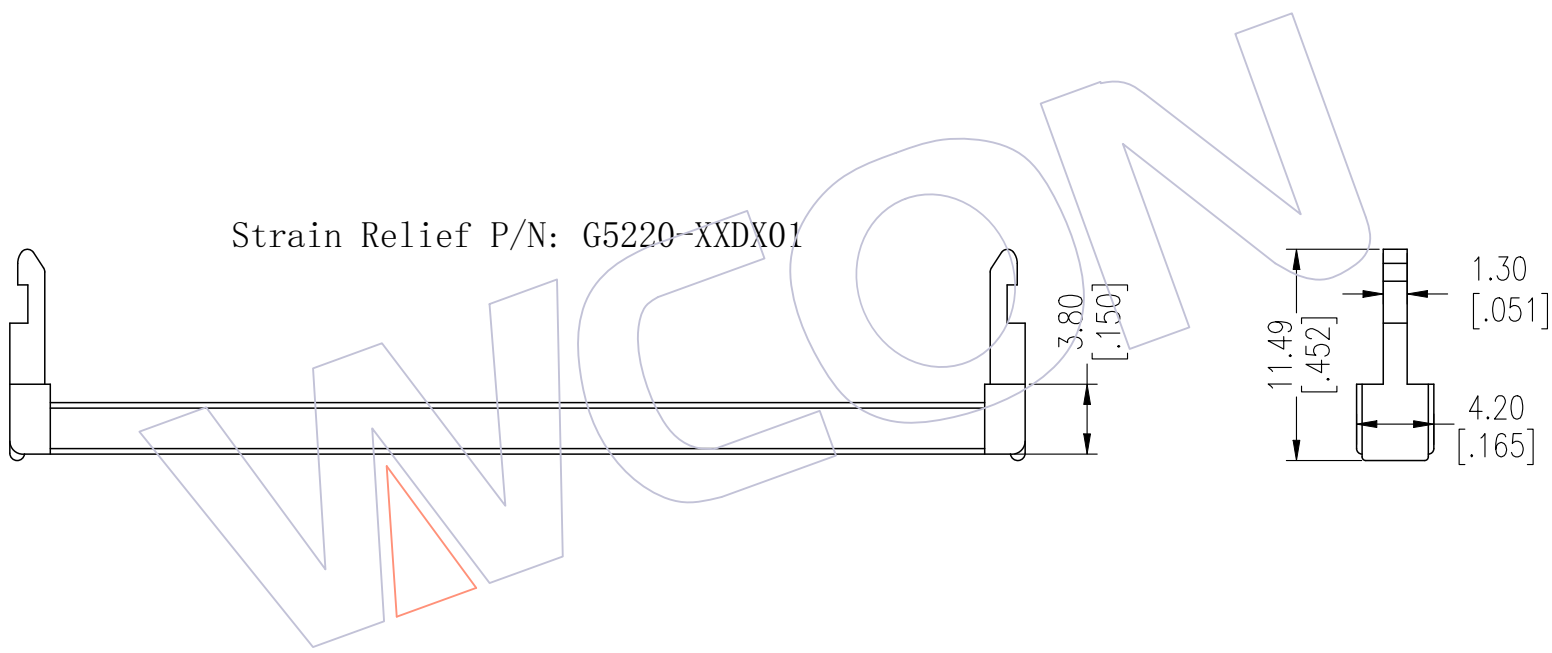


HSF

Strain Relief P/N: G5220-XXDX01



REV	DATE	MODIFICATION DESCRIPTION	CHANGE	OPERATION	DRAW	DATE	SCALE	FIT	PART NO.
A1	2022/05/25	Modify TITLE	Du Ying	x.X ±0.40	Du Ying	2022/05/25	UNIT	mm	G5220-XXDX01
A0	2012/10/10	NEW	JYHuang	x.XX ±0.25	CHECK	DATE	SIZE	A4	TITLE:
				x.XXX ±0.15	APPROVE	DATE	SHEET	2/2	2.00 IDC SOCKET (ONE SIDE CONTACT) STRAIN RELIEF
				Angle ± 3°			PROJ.	☯	Customer NO.
				DIM TOL					

WCON

Http: www.wcon.com

WCON-Dongguan Tel: +86 769 85358920 Fax: +86 769 85358915 E-mail: sales@wcon.com	WCON-Kunshan Tel: +86 512 57468408 Fax: +86 512 57468468 E-mail: salesks@wcon.com
---	--