

HSF

NOTES:
 Current Rating:8A/Pin(AT 30℃ Rise, 20% Derated)
 Voltage Rating:400V/AC
 Contact Resistance:20mΩ Max.
 Withstand Voltage:1500V AC
 Insulation Resistance:1000MΩ Min.
 Operation Temperature:-40℃ to +105℃
 Insulator Material:PA66,G.F,UL94V-0,White

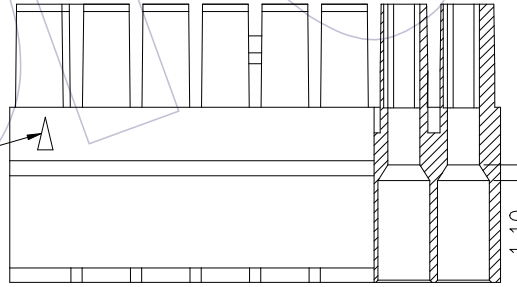
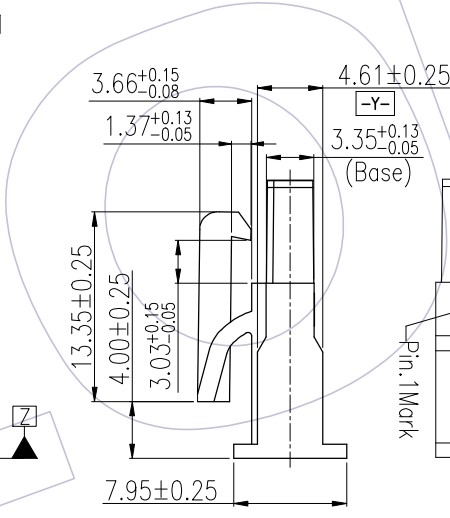
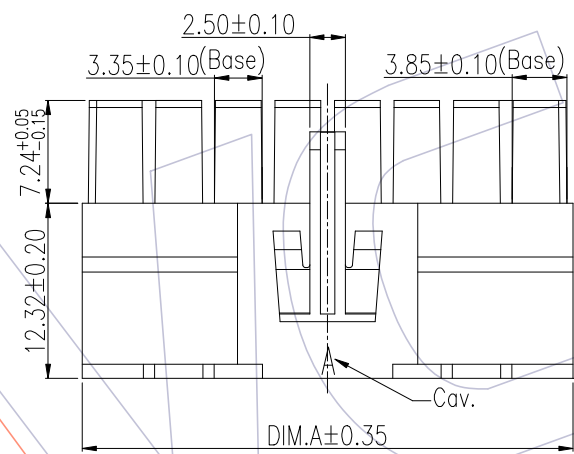
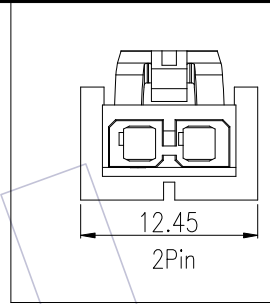
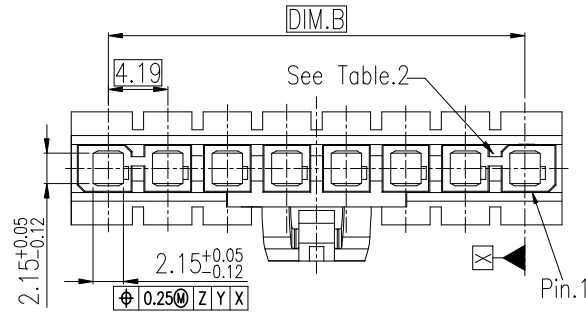
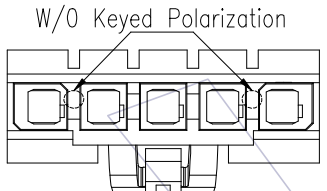
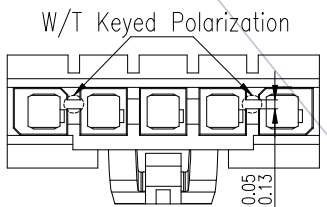


Table.2:

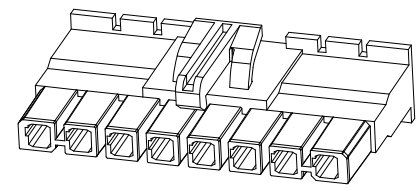
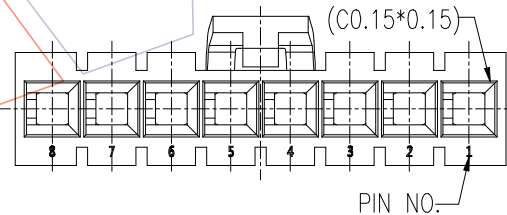


WF4191-1HXXWX1



WF4191A-1HXXWX1

0.65+0.05/-0.13



3D VIEW

Table.1:

PIN No.	Part No.	Dimension	
		A	B
2P	WF4191(A)-1H02WX1	12.45	4.19
3P	WF4191(A)-1H03WX1	13.59	8.38
4P	WF4191(A)-1H04WX1	17.78	12.57
5P	WF4191(A)-1H05WX1	21.97	16.76
8P	WF4191(A)-1H08WX1	34.54	29.33
10P	WF4191(A)-1H10WX1	42.92	37.71
15P	WF4191(A)-1H15WX1	63.87	58.66

OPERATION	DRAW	DATE	SCALE	Fit	PART NO.
x.X ±0.40	Andrey	2020/12/09	UNIT	mm	WF4191(A)-1HXXWX1
x.XX ±0.25	CHECK	DATE	SIZE	A4	TITLE:
x.XXX ±0.15	APPROVE	DATE	SHEET	1/3	4.19mm Housing Single Row, Narrow Latch, Crimp Type
Angle ± 3'			PROJ.	Customer NO.	
DIM TOL					
AO 2020/12/09	NEW RELEASE	Andrey			
REV	DATE	MODIFICATION DESCRIPTION	CHANGE		

WCON
 Http: www.wcon.com

WCON-Dongguan
 Tel: +86 769 85358920
 Fax: +86 769 85358915
 E-mail: sales@wcon.com

WCON-Kunshan
 Tel: +86 512 57468408
 Fax: +86 512 57468468
 E-mail: salesks@wcon.com

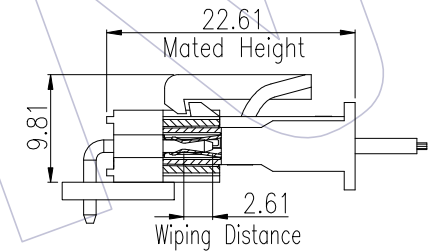
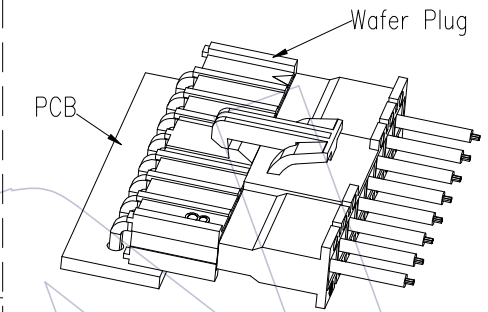
HSF

Ordering Information

WF 4191 A- 1 H XX W 0 1

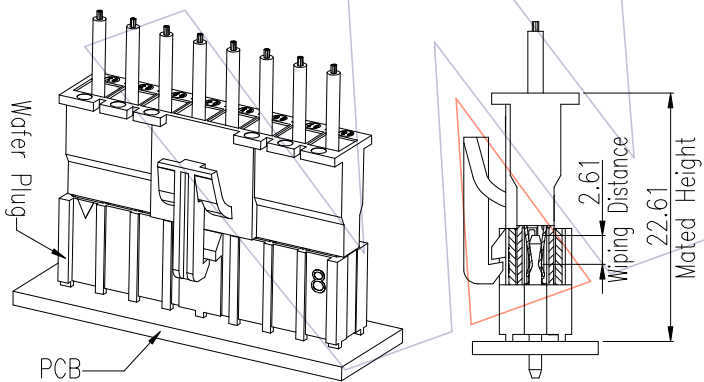
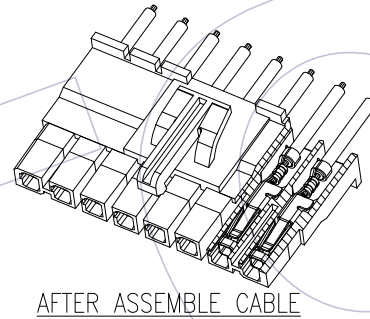
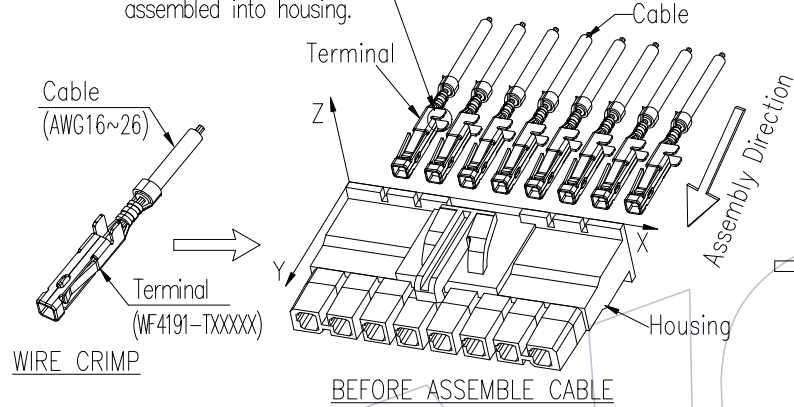
Company Code:	Wcon Internal Code:
Series Code:	1~9
419= 4.19mm Pitch	Packing:
1= First series	0=PE Bag(2P~5P)
Specification Code:	T=TUBE(6P~15P)
A=W/T Keyed Polarization	Color:
Blank=W/O Keyed Polarization	W=White
Row Code:	No. of Pins:
1=Single Row	2P~15P
2=Double Row	Type Code:
	H=Wiring Type

MATING VIEW

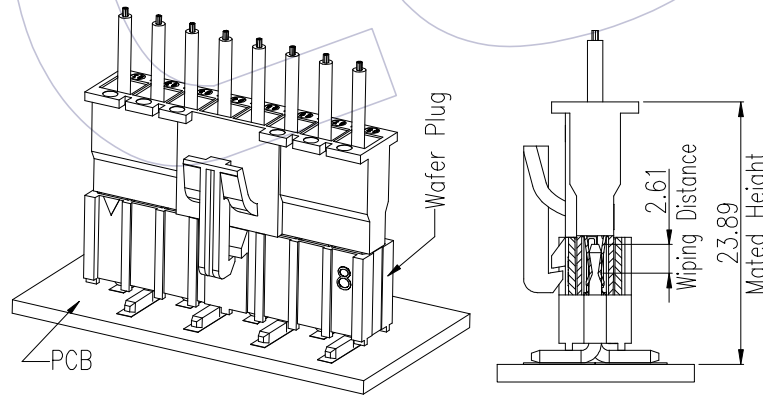


Plug:(R/A DIP TYPE)

This part of terminal orientate direction X when terminal is assembled into housing.



Plug:(S/T DIP TYPE)



Plug:(S/T SMT TYPE)

HOUSING	ADAPTATION	WAFER
WF4191-1HXXWX1	WF4191-1WRXXXXBX1	
	WF4191-1WSXXXXBX1	
	WF4191-1WMXXXXBX1	
WF4191A-1HXXWX1	WF4191A-1WRXXXXBX1	
	WF4191A-1WSXXXXBX1	
	WF4191A-1WMXXXXBX1	

REV	DATE	MODIFICATION DESCRIPTION	CHANGE	OPERATION	DRAW	DATE	SCALE	Fit	PART NO.
AO	2020/12/09	NEW RELEASE	Andrey	x.X ±0.40	Andrey	2020/12/09	UNIT	mm	WF4191(A)-1HXXWX1
				x.XX ±0.25	CHECK	DATE	SIZE	A4	TITLE:
				x.XXX ±0.15	APPROVE	DATE	SHEET	2/3	4.19mm Housing Single Row, Narrow Latch, Crimp Type
				Angle ± 3'			PROJ.	⌀	Customer NO.
				DIM TOL					

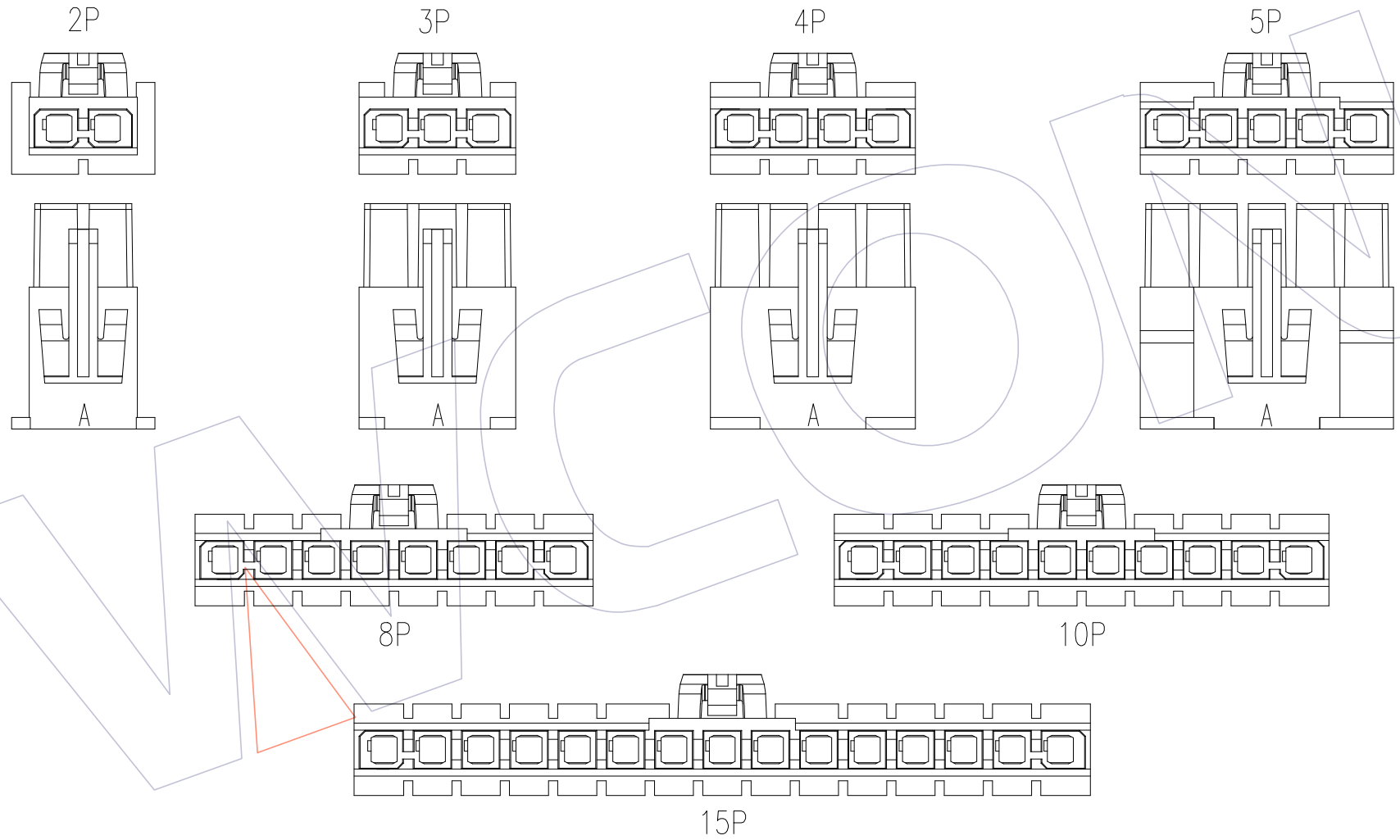
WCON

Http: www.wcon.com

WCON-Dongguan
Tel: +86 769 85358920
Fax: +86 769 85358915
E-mail: sales@wcon.com

WCON-Kunshan
Tel: +86 512 57468408
Fax: +86 512 57468468
E-mail: salesks@wcon.com

HSF



				OPERATION	DRAW	DATE	SCALE	Fit	PART NO.
				x.X ±0.40	Andrey	2020/12/09	UNIT	mm	WF4191(A)-1HXXWX1
				x.XX ±0.25	CHECK	DATE	SIZE	A4	TITLE:
				x.XXX ±0.15	APPROVE	DATE	SHEET	3/3	4.19mm Housing Single Row, Narrow Latch, Crimp Type
AO	2020/12/09	NEW RELEASE	Andrey	Angle ± 3'			PROJ.	⌀	Customer NO.
REV	DATE	MODIFICATION DESCRIPTION	CHANGE	DIM TOL					

WCON

Http: www.wcon.com

WCON-Dongguan Tel: +86 769 85358920 Fax: +86 769 85358915 E-mail: sales@wcon.com	WCON-Kunshan Tel: +86 512 57468408 Fax: +86 512 57468468 E-mail: salesks@wcon.com
---	--