

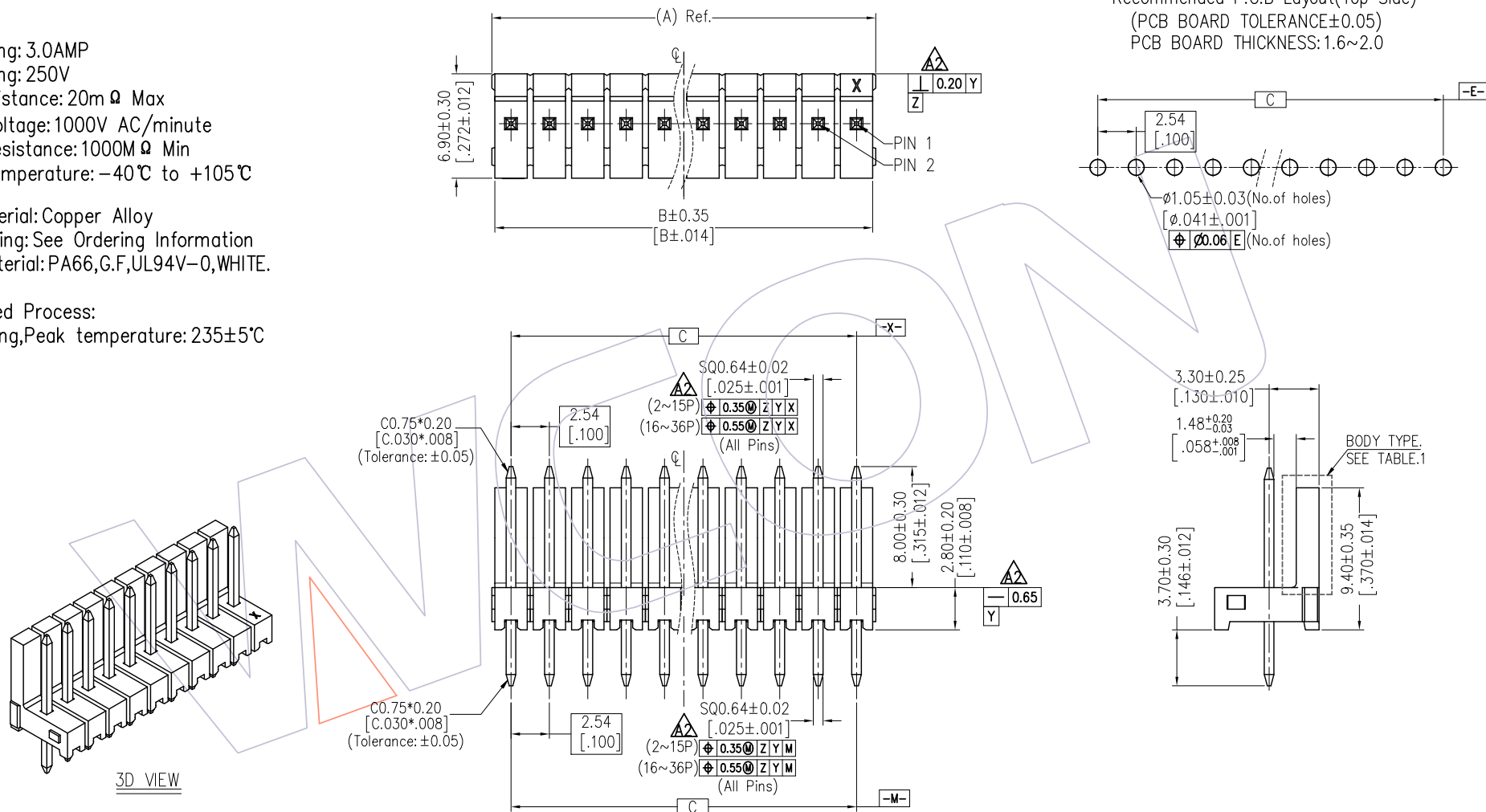
# HSF

**NOTES:**  
 Current Rating: 3.0AMP  
 Voltage Rating: 250V  
 Contact Resistance: 20mΩ Max  
 Withstand Voltage: 1000V AC/minute  
 Insulation Resistance: 1000MΩ Min  
 Operation Temperature: -40℃ to +105℃

Contact Material: Copper Alloy  
 Contact plating: See Ordering Information  
 Insulator Material: PA66,G.F,UL94V-0,WHITE.

Recommended Process:  
 Wave Soldering, Peak temperature: 235±5℃

Recommended P.C.B Layout(Top Side)  
 (PCB BOARD TOLERANCE±0.05)  
 PCB BOARD THICKNESS: 1.6~2.0



REV	DATE	MODIFICATION DESCRIPTION	CHANGE	OPERATION	DRAW	DATE	SCALE	FIT	PART NO.
A2	2021/04/02	Modify dimension label	Chao	X.X	±0.40	2021/04/02	UNIT	mm	WF2545-EWSXXXW01
A1	2020/04/16	Add Contact plating "S4" and "G4"	Andrey	X.XX	±0.25	DATE	SIZE	A4	
A0	2020/03/11	NEW	Andrey	X.XXX	±0.15	DATE	SHEET	1/3	
				Angle	± 3'		PROJ.		TITLE: 2.54mm Wafer S/T Single Row, Breakable, Dip Height=3.70mm
				DIM	TOL				Customer NO.

**WCON**  
 Http: www.wcon.com

WCON-Dongguan  
 Tel: +86 769 85358920  
 Fax: +86 769 85358915  
 E-mail: sales@wcon.com

WCON-Kunshan  
 Tel: +86 512 57468408  
 Fax: +86 512 57468468  
 E-mail: salesks@wcon.com

# HSF

## Ordering Information

**WF 2545 -E WS XX XX W 0 1**  
 Company Code: WF  
 Product Series Code: 2545= 2.54mm Pitch  
 5= Fifth series  
 Body Type: -E  
 See Table.1  
 Type Code: WS=180° DIP  
 No. of pins: XX  
 02~36Pin  
 Contact Plating:  
 ▲S4=15u" Gold Plated On Contact Area,  
 80u" Min Bright Tin Plated On Ni Plated  
 50u" Min Nickel Plated Overall  
 ▲G4=15u" Gold Over 50u" Nickel  
 Blank:  
 Full Bright Tin 80u" Min Plated Overall  
 Wcon Internal Code: 01  
 1~9  
 Packing: 0=PE Bag  
 Housing Color: W=White

TABLE 1(BODY TYPE):

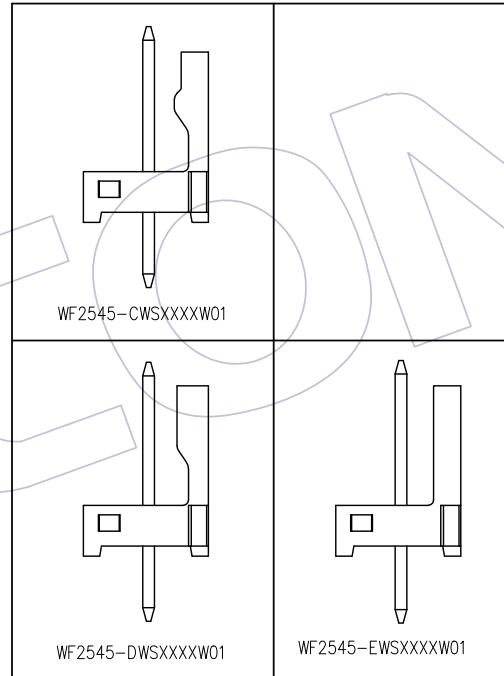


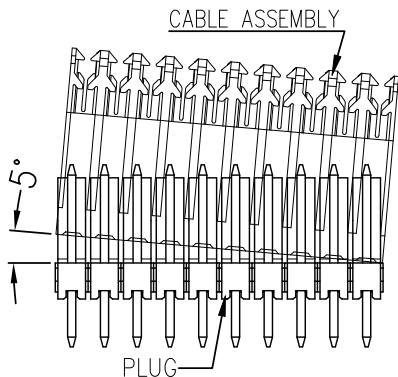
TABLE 2:

Pin No.	Part Number	Dim.A	Dim.B	Dim.C
2P	WF2545-EWS02XXW01	5.08	4.68	2.54
3P	WF2545-EWS03XXW01	7.62	7.22	5.08
4P	WF2545-EWS04XXW01	10.16	9.76	7.62
5P	WF2545-EWS05XXW01	12.70	12.30	10.16
6P	WF2545-EWS06XXW01	15.24	14.84	12.70
7P	WF2545-EWS07XXW01	17.78	17.38	15.24
8P	WF2545-EWS08XXW01	20.32	19.92	17.78
9P	WF2545-EWS09XXW01	22.86	22.46	20.32
10P	WF2545-EWS10XXW01	25.40	25.00	22.86
11P	WF2545-EWS11XXW01	27.94	27.54	25.40
12P	WF2545-EWS12XXW01	30.48	30.08	27.94
13P	WF2545-EWS13XXW01	33.02	32.62	30.48
14P	WF2545-EWS14XXW01	35.56	35.16	33.02
15P	WF2545-EWS15XXW01	38.10	37.70	35.56
16P	WF2545-EWS16XXW01	40.64	40.24	38.10
17P	WF2545-EWS17XXW01	43.18	42.78	40.64
18P	WF2545-EWS18XXW01	45.72	45.32	43.18
19P	WF2545-EWS19XXW01	48.26	47.86	45.72
20P	WF2545-EWS20XXW01	50.80	50.40	48.26
21P	WF2545-EWS21XXW01	53.34	52.94	50.80
22P	WF2545-EWS22XXW01	55.88	55.48	53.34
23P	WF2545-EWS23XXW01	58.42	58.02	55.88
24P	WF2545-EWS24XXW01	60.96	60.56	58.42
25P	WF2545-EWS25XXW01	63.50	63.10	60.96
26P	WF2545-EWS26XXW01	66.04	65.64	63.50
27P	WF2545-EWS27XXW01	68.58	68.18	66.04
28P	WF2545-EWS28XXW01	71.12	70.72	68.58
29P	WF2545-EWS29XXW01	73.66	73.26	71.12
30P	WF2545-EWS30XXW01	76.20	75.80	73.66
31P	WF2545-EWS31XXW01	78.74	78.34	76.20
32P	WF2545-EWS32XXW01	81.28	80.88	78.74
33P	WF2545-EWS33XXW01	83.82	83.42	81.28
34P	WF2545-EWS34XXW01	86.83	86.43	83.82
35P	WF2545-EWS35XXW01	88.90	88.50	86.83
36P	WF2545-EWS36XXW01	/	91.04	88.90

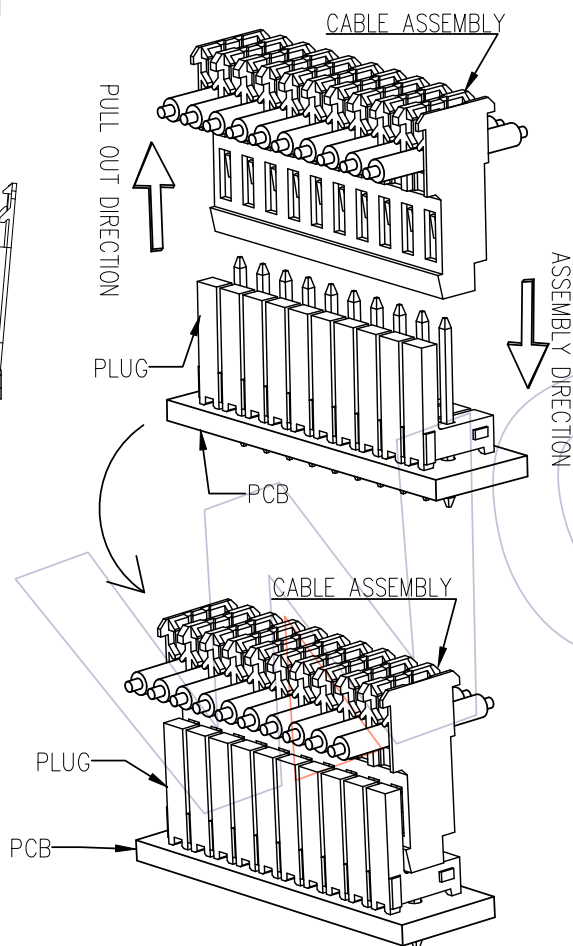
REV	DATE	MODIFICATION DESCRIPTION	CHANGE	OPERATION	DRAW	DATE	SCALE	FIT	PART NO.	 <a href="http://www.wcon.com">Http: www.wcon.com</a>
A2	2021/04/02	Modify dimension label ▲	Chao	X.X	±0.40	2021/04/02	UNIT	[mm inch]	WF2545-EWSXXXXW01	
A1	2020/04/16	Add Contact plating "S4" and "G4" ▲	Andrey	X.XX	±0.25	DATE	SIZE	A4	TITLE: 2.54mm Wafer S/T Single Row, Breakable, Dip Height=3.70mm	WCON-Kunshan Tel: +86 512 57468408 Fax: +86 512 57468468 E-mail: <a href="mailto:salesks@wcon.com">salesks@wcon.com</a>
A0	2020/03/11	NEW	Andrey	X.XXX	±0.15	DATE	SHEET	2/3	Customer NO.	
				Angle	± 3'		PROJ.	⌀		
				DIM	TOL					

# HSF

ALLOWED ANGULAR INCLINATION  
TOLERANCES LONGITUDINAL:  $\pm 5^\circ$

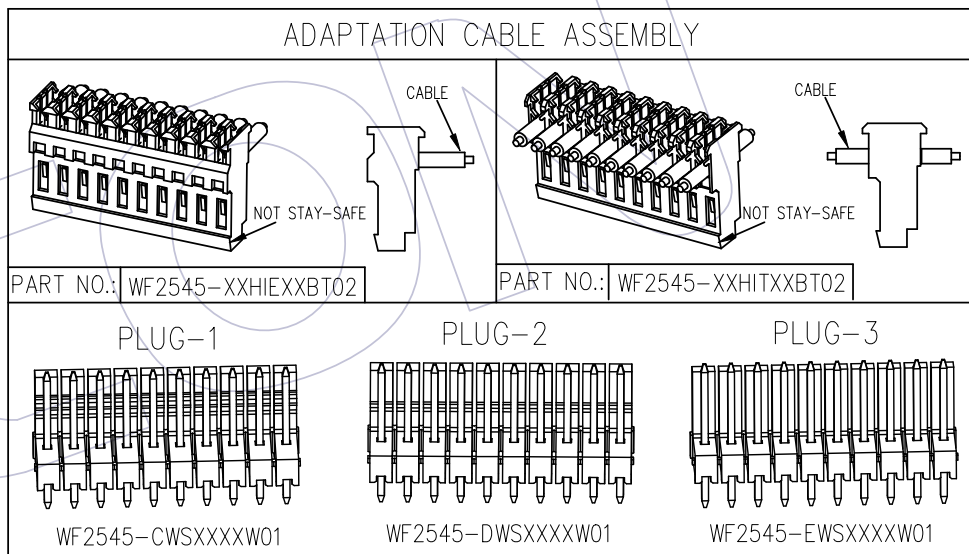


DYNAMIC USE HINT:



ASSEMBLY COMPLETION STATUS

ADAPTATION CABLE ASSEMBLY



REV	DATE	MODIFICATION DESCRIPTION	CHANGE	OPERATION	DRAW	DATE	SCALE	FIT	PART NO.
A2	2021/04/02	Modify dimension label $\Delta$	Chao	X.X	$\pm 0.40$	2021/04/02	UNIT	mm [inch]	WF2545-EWSXXXXW01
A1	2020/04/16	Add Contact plating "S4" and "G4" $\Delta$	Andrey	X.XX	$\pm 0.25$	DATE	SIZE	A4	TITLE: 2.54mm Wafer S/T Single Row, Breakable, Dip Height=3.70mm
A0	2020/03/11	NEW	Andrey	X.XXX	$\pm 0.15$	DATE	SHEET	3/3	Customer NO.
				Angle	$\pm 3^\circ$		PROJ.	$\phi$	
				DIM	TOL				

## WCON

Http: [www.wcon.com](http://www.wcon.com)

WCON-Dongguan  
Tel: +86 769 85358920  
Fax: +86 769 85358915  
E-mail: [sales@wcon.com](mailto:sales@wcon.com)

WCON-Kunshan  
Tel: +86 512 57468408  
Fax: +86 512 57468468  
E-mail: [salesks@wcon.com](mailto:salesks@wcon.com)