

HSF

NOTES:

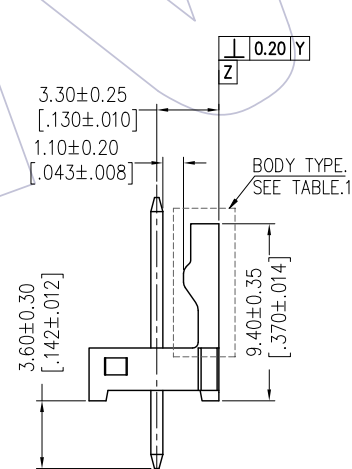
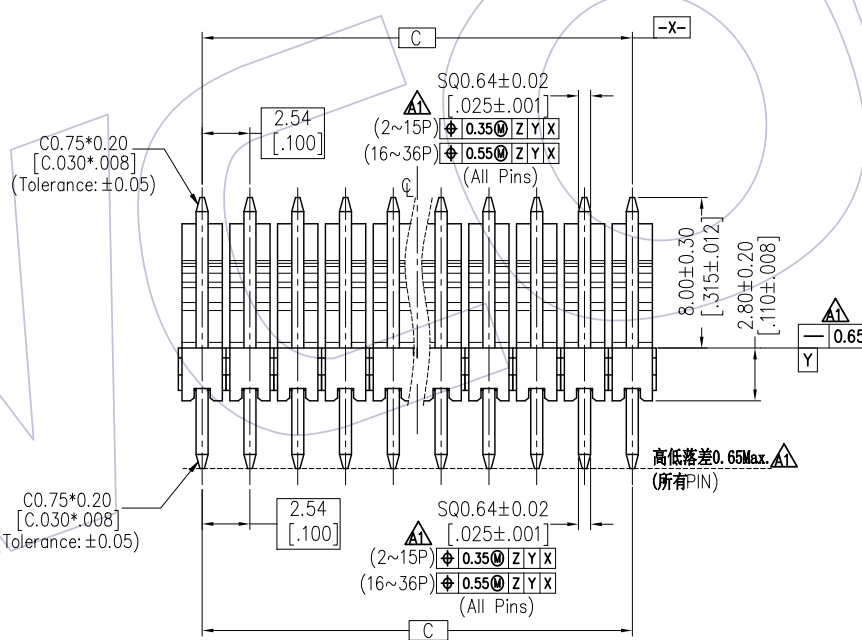
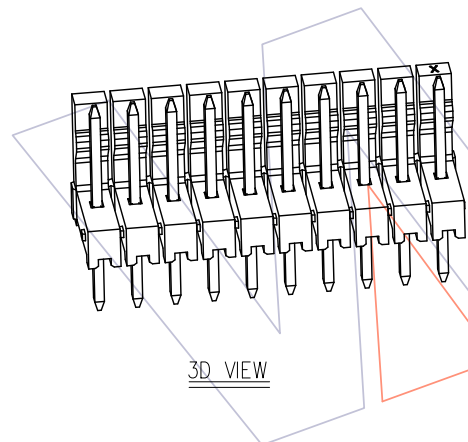
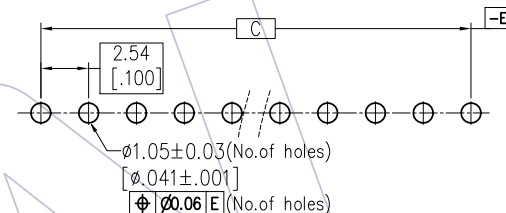
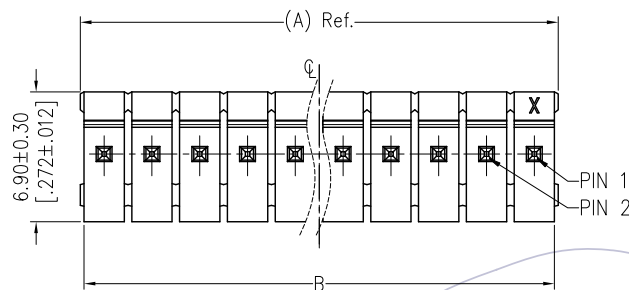
Current Rating: 3.0AMP
 Voltage Rating: 250V
 Contact Resistance: 20mΩ Max
 Withstand Voltage: 1000V AC/minute
 Insulation Resistance: 1000MΩ Min
 Operation Temperature: -40℃ to +105℃

Contact Material: Copper Alloy
 Contact plating: See Ordering Information
 Insulator Material: PA66,G.F,UL94V-0,WHITE.

Recommended Process:

Wave Soldering, Peak temperature: 235±5℃

Recommended P.C.B Layout(Top Side)
 (PCB BOARD TOLERANCE±0.05)
 PCB BOARD THICKNESS: 1.6~2.0



REV	DATE	MODIFICATION DESCRIPTION	CHANGE	OPERATION		DRAW	DATE	SCALE	FIT	PART NO.
				X.X	±0.40					
A1	2021/04/02	Modify dimension label	Chao	X.XX	±0.25	Chao	2021/04/02	UNIT	mm [inch]	WF2545-CWSXXXXW02
A0	2020/08/13	NEW RELEASE	Andrey	X.XXX	±0.15	CHECK	DATE	SIZE	A4	TITLE: 2.54mm Wafer S/T Single Row, Breakable, Dip Height=3.60mm
				Angle	± 3'	APPROVE	DATE	SHEET	1/3	Customer NO.
				DIM	TOL			PROJ.		

WCON

Http: www.wcon.com

WCON-Dongguan Tel: +86 769 85358920 Fax: +86 769 85358915 E-mail: sales@wcon.com
 WCON-Kunshan Tel: +86 512 57468408 Fax: +86 512 57468468 E-mail: salesks@wcon.com

HSF

Ordering Information

WF 2545 -C WS XX XX W 0 2

Company Code: WF
 Product Series Code: 2545= 2.54mm Pitch
 5= Fifth series
 Body Type: See Table.1
 Type Code: WS=180° DIP
 No. of pins: 02~36Pin
 Contact Plating:
 S4=15u" Gold Plated On Contact Area,
 80u" Min Bright Tin Plated On Ni Plated
 50u" Min Nickel Plated Overall
 G4=15u" Gold Over 50u" Nickel
 Blank:
 Full Bright Tin 80u" Min Plated Overall
 Wecon Internal Code: 2=Dip Height 3.60mm
 Packing: 0=PE Bag
 Housing Color: W=White

TABLE 1(BODY TYPE):

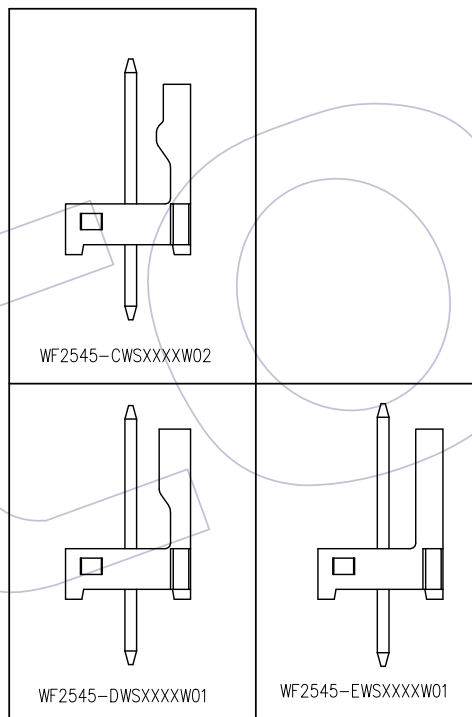


TABLE 2:

Pin No.	Part Number	Dim.A	Dim.B		Dim.C
			Standard	TOL.	
2P	WF2545-CWS02XXW02	5.08	4.68	±0.30	2.54
3P	WF2545-CWS03XXW02	7.62	7.22		5.08
4P	WF2545-CWS04XXW02	10.16	9.76		7.62
5P	WF2545-CWS05XXW02	12.70	12.30		10.16
6P	WF2545-CWS06XXW02	15.24	14.84		12.70
7P	WF2545-CWS07XXW02	17.78	17.38		15.24
8P	WF2545-CWS08XXW02	20.32	19.92		17.78
9P	WF2545-CWS09XXW02	22.86	22.46		20.32
10P	WF2545-CWS10XXW02	25.40	25.00		22.86
11P	WF2545-CWS11XXW02	27.94	27.54		25.40
12P	WF2545-CWS12XXW02	30.48	30.08	27.94	
13P	WF2545-CWS13XXW02	33.02	32.62	30.48	
14P	WF2545-CWS14XXW02	35.56	35.16	33.02	
15P	WF2545-CWS15XXW02	38.10	37.70	35.56	
16P	WF2545-CWS16XXW02	40.64	40.24	38.10	
17P	WF2545-CWS17XXW02	43.18	42.78	40.64	
18P	WF2545-CWS18XXW02	45.72	45.32	43.18	
19P	WF2545-CWS19XXW02	48.26	47.86	45.72	
20P	WF2545-CWS20XXW02	50.80	50.40	48.26	
21P	WF2545-CWS21XXW02	53.34	52.94	50.80	
22P	WF2545-CWS22XXW02	55.88	55.48	53.34	
23P	WF2545-CWS23XXW02	58.42	58.02	55.88	
24P	WF2545-CWS24XXW02	60.96	60.56	58.42	
25P	WF2545-CWS25XXW02	63.50	63.10	60.96	
26P	WF2545-CWS26XXW02	66.04	65.64	63.50	
27P	WF2545-CWS27XXW02	68.58	68.18	66.04	
28P	WF2545-CWS28XXW02	71.12	70.72	68.58	
29P	WF2545-CWS29XXW02	73.66	73.26	71.12	
30P	WF2545-CWS30XXW02	76.20	75.80	73.66	
31P	WF2545-CWS31XXW02	78.74	78.34	76.20	
32P	WF2545-CWS32XXW02	81.28	80.88	78.74	
33P	WF2545-CWS33XXW02	83.82	83.42	81.28	
34P	WF2545-CWS34XXW02	86.83	86.43	83.82	
35P	WF2545-CWS35XXW02	88.90	88.50	86.83	
36P	WF2545-CWS36XXW02	/	91.04	88.90	

REV	DATE	MODIFICATION DESCRIPTION	CHANGE	OPERATION		DRAW	DATE	SCALE	FIT	PART NO.
				X.X	±0.40					
A1	2021/04/02	Modify dimension label Δ	Chao	X.XX	±0.25	Chao	2021/04/02	UNIT	mm [inch]	WF2545-CWSXXXW02
A0	2020/08/13	NEW RELEASE	Andrey	X.XXX	±0.15	CHECK	DATE	SIZE	A4	TITLE: 2.54mm Wafer S/T Single Row, Breakable, Dip Height=3.60mm
				Angle	± 3'	APPROVE	DATE	SHEET	2/3	Customer NO.
				DIM	TOL			PROJ.	ϕ \leftarrow	

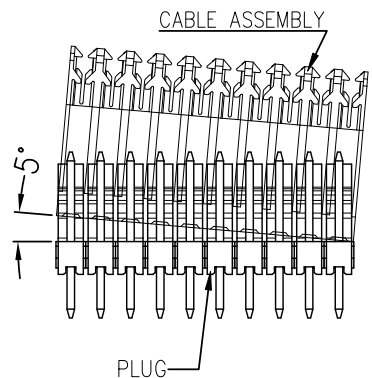
WCON

Http: www.wcon.com

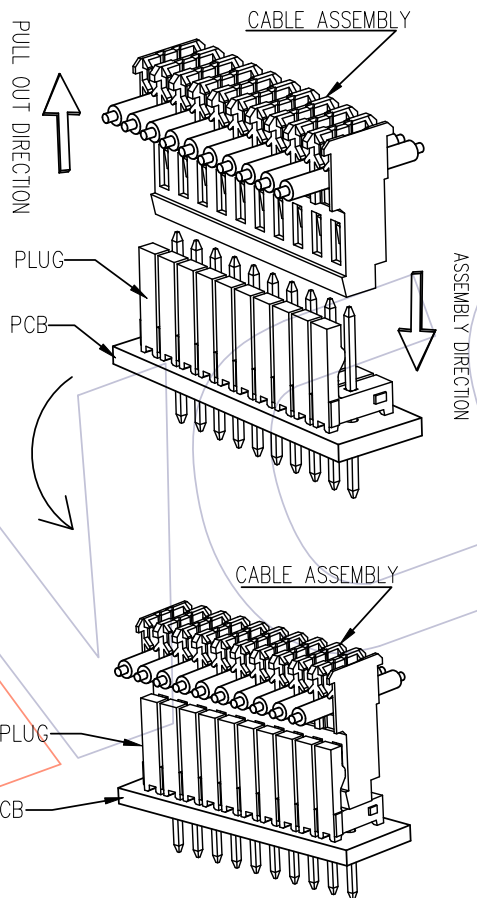
WCON-Dongguan Tel: +86 769 85358920 Fax: +86 769 85358915 E-mail: sales@wcon.com
 WCON-Kunshan Tel: +86 512 57468408 Fax: +86 512 57468468 E-mail: salesks@wcon.com

HSF

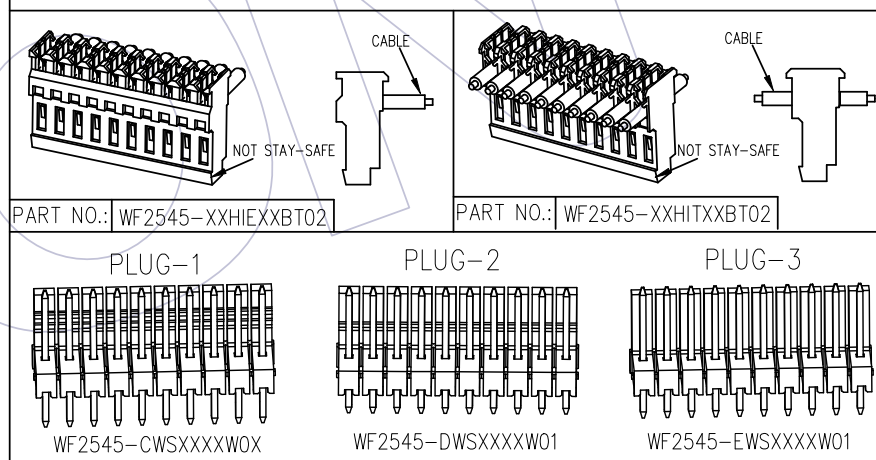
ALLOWED ANGULAR INCLINATION
TOLERANCES LONGITUDINAL: $\pm 5^\circ$





DYNAMIC USE HINT:



ADAPTATION CABLE ASSEMBLY



ASSEMBLY COMPLETION STATUS

REV	DATE	MODIFICATION DESCRIPTION	CHANGE	OPERATION		DRAW	DATE	SCALE	FIT	PART NO.	TITLE:	 Http: www.wcon.com WCON-Dongguan Tel: +86 769 85358920 Fax: +86 769 85358915 E-mail: sales@wcon.com WCON-Kunshan Tel: +86 512 57468408 Fax: +86 512 57468468 E-mail: salesks@wcon.com	
				X.X	± 0.40			UNIT	mm [inch]				
A1	2021/04/02	Modify dimension label 	Chao	X.XX	± 0.25	Chao	2021/04/02	SIZE	A4	WF2545-CWSXXXW02	2.54mm Wafer S/T Single Row, Breakable, Dip Height=3.60mm		
AO	2020/08/13	NEW RELEASE	Andy	X.XXX	± 0.15			SHEET	3/3				
				Angle	$\pm 3^\circ$			PROJ.	