

# HSF

## NOTES:

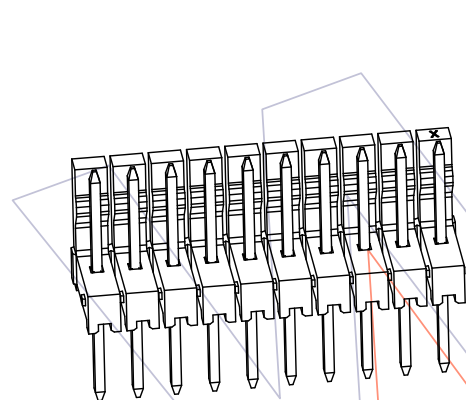
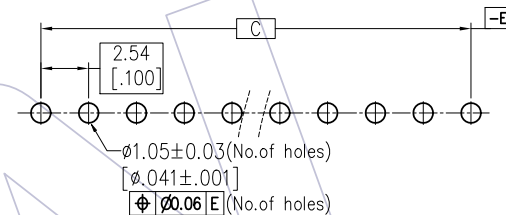
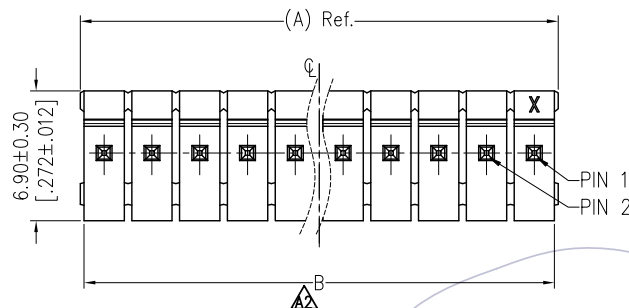
Current Rating: 3.0AMP  
 Voltage Rating: 250V  
 Contact Resistance: 20mΩ Max  
 Withstand Voltage: 1000V AC/minute  
 Insulation Resistance: 1000MΩ Min  
 Operation Temperature: -40℃ to +105℃

Contact Material: Copper Alloy  
 Contact plating: See Ordering Information  
 Insulator Material: PA66,G.F,UL94V-0,WHITE.

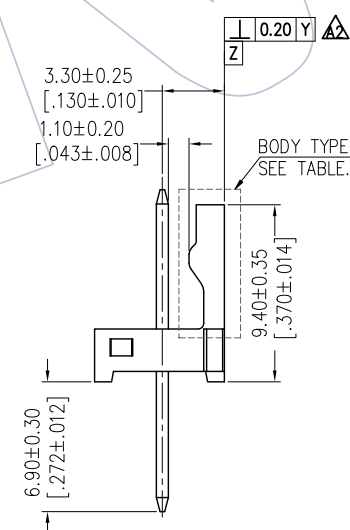
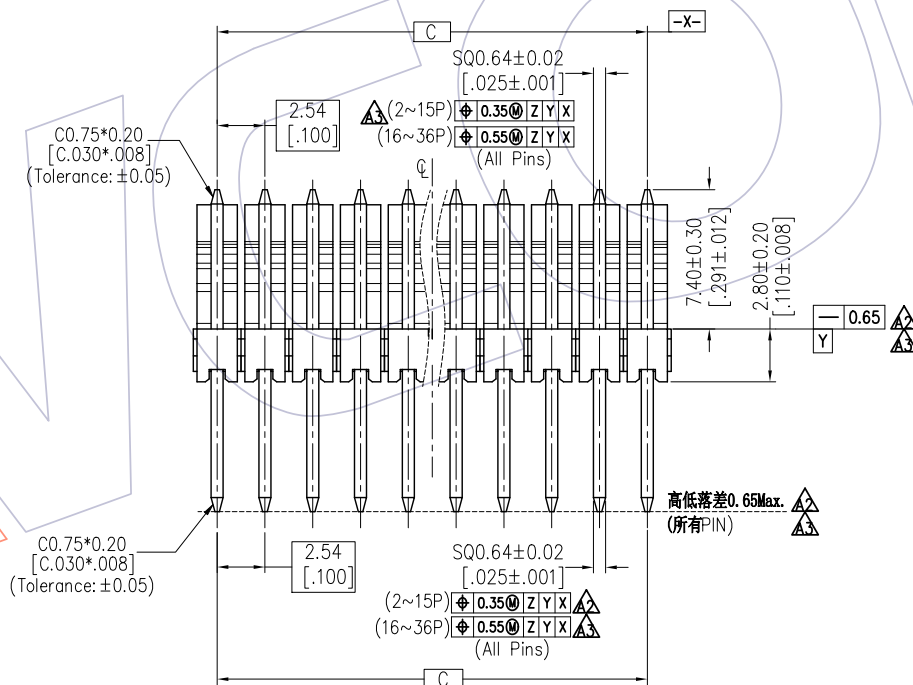
## Recommended Process:

Wave Soldering, Peak temperature: 235±5℃

Recommended P.C.B Layout(Top Side)  
 (PCB BOARD TOLERANCE±0.05)  
 PCB BOARD THICKNESS: 1.6~2.0



3D VIEW



REV	DATE	MODIFICATION DESCRIPTION	CHANGE	OPERATION	DRAW	DATE	SCALE	FIT	PART NO.
A3	2021/04/02	Modify dimension label	Chao	OPERATION	DRAW	2021/04/02	UNIT	mm	WF2545-CWSXXXXW01
A2	2020/08/04	Modify Dimension Label	Andrey	X.X ±0.40	Chao		SIZE	A4	
A1	2020/04/16	Add Contact plating "S4" and "G4"	Andrey	X.XX ±0.25	CHECK	DATE	SHEET	1/3	TITLE:
A0	2020/03/30	NEW	Andrey	X.XXX ±0.15	APPROVE	DATE	PROJ.		2.54mm Wafer S/T Single Row, Breakable, Dip Height=6.90mm
				Angle ± 3°					Customer NO.
				DIM TOL					

# WCON

Http: www.wcon.com

WCON-Dongguan Tel: +86 769 85358920 Fax: +86 769 85358915 E-mail: sales@wcon.com  
 WCON-Kunshan Tel: +86 512 57468408 Fax: +86 512 57468468 E-mail: salesks@wcon.com

# HSF

## Ordering Information

WF 2545 -C WS XX XX W 0 1

Company Code: WF  
 Product Series Code: 2545= 2.54mm Pitch  
 5= Fifth series

Body Type: See Table.1  
 Type Code: WS=180° DIP

No. of pins: 02~36Pin

Contact Plating:  
 ▲ S4=15u" Gold Plated On Contact Area,  
 80u" Min Bright Tin Plated On Ni Plated  
 50u" Min Nickel Plated Overall  
 ▲ G4=15u" Gold Over 50u" Nickel  
 Blank:  
 Full Bright Tin 80u" Min Plated Overall

Wagon Internal Code  
 1=Dip Height 6.90mm

Packing  
 0=PE Bag

Housing Color  
 W=White

TABLE 1(BODY TYPE):

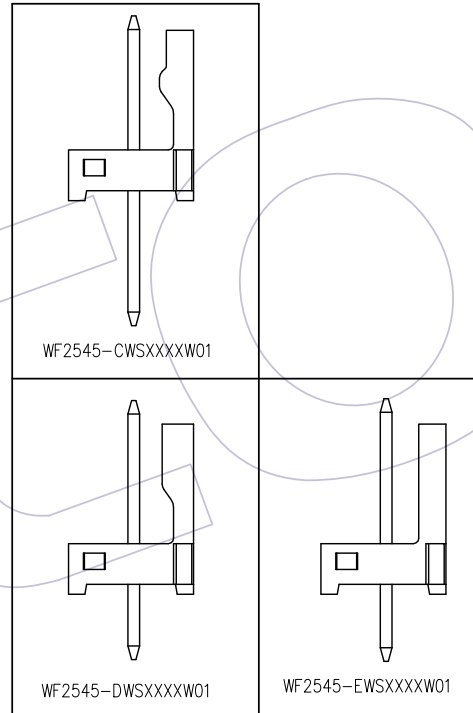


TABLE 2:

Pin No.	Part Number	Dim.A	Dim.B		Dim.C
			Standard	TOL.	
2P	WF2545-CWS02XXW01	5.08	4.68	±0.30	2.54
3P	WF2545-CWS03XXW01	7.62	7.22		5.08
4P	WF2545-CWS04XXW01	10.16	9.76		7.62
5P	WF2545-CWS05XXW01	12.70	12.30		10.16
6P	WF2545-CWS06XXW01	15.24	14.84		12.70
7P	WF2545-CWS07XXW01	17.78	17.38		15.24
8P	WF2545-CWS08XXW01	20.32	19.92		17.78
9P	WF2545-CWS09XXW01	22.86	22.46		20.32
10P	WF2545-CWS10XXW01	25.40	25.00		22.86
11P	WF2545-CWS11XXW01	27.94	27.54		25.40
12P	WF2545-CWS12XXW01	30.48	30.08	27.94	
13P	WF2545-CWS13XXW01	33.02	32.62	30.48	
14P	WF2545-CWS14XXW01	35.56	35.16	33.02	
15P	WF2545-CWS15XXW01	38.10	37.70	35.56	
16P	WF2545-CWS16XXW01	40.64	40.24	38.10	
17P	WF2545-CWS17XXW01	43.18	42.78	40.64	
18P	WF2545-CWS18XXW01	45.72	45.32	43.18	
19P	WF2545-CWS19XXW01	48.26	47.86	45.72	
20P	WF2545-CWS20XXW01	50.80	50.40	48.26	
21P	WF2545-CWS21XXW01	53.34	52.94	50.80	
22P	WF2545-CWS22XXW01	55.88	55.48	53.34	
23P	WF2545-CWS23XXW01	58.42	58.02	55.88	
24P	WF2545-CWS24XXW01	60.96	60.56	58.42	
25P	WF2545-CWS25XXW01	63.50	63.10	60.96	
26P	WF2545-CWS26XXW01	66.04	65.64	63.50	
27P	WF2545-CWS27XXW01	68.58	68.18	66.04	
28P	WF2545-CWS28XXW01	71.12	70.72	68.58	
29P	WF2545-CWS29XXW01	73.66	73.26	71.12	
30P	WF2545-CWS30XXW01	76.20	75.80	73.66	
31P	WF2545-CWS31XXW01	78.74	78.34	76.20	
32P	WF2545-CWS32XXW01	81.28	80.88	78.74	
33P	WF2545-CWS33XXW01	83.82	83.42	81.28	
34P	WF2545-CWS34XXW01	86.83	86.43	83.82	
35P	WF2545-CWS35XXW01	88.90	88.50	86.83	
36P	WF2545-CWS36XXW01	/	91.04	88.90	

REV	DATE	MODIFICATION DESCRIPTION	CHANGE	OPERATION	DRAW	DATE	SCALE	FIT	PART NO.
A3	2021/04/02	Modify dimension label ▲	Chao	OPERATION	DRAW	2021/04/02	SCALE	FIT	WF2545-CWSXXXW01
A2	2020/08/04	Modify Dimension Label ▲	Andrey	X.X ±0.40	Chao		UNIT	[mm] [inch]	
A1	2020/04/16	Add Contact plating "S4" and "G4" ▲	Andrey	X.XX ±0.25	CHECK	DATE	SIZE	A4	TITLE: 2.54mm Wafer S/T Single Row, Breakable, Dip Height=6.90mm
A0	2020/03/30	NEW	Andrey	X.XXX ±0.15	APPROVE	DATE	SHEET	2/3	Customer NO.
				Angle ± 3°			PROJ.		
				DIM TOL					

# WCON

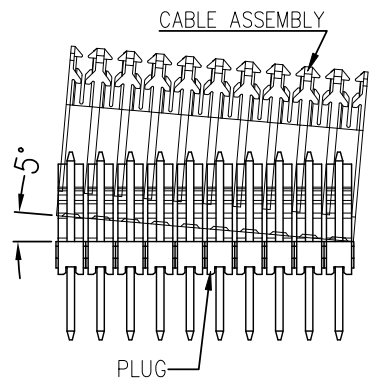
Http: www.wcon.com

WCON-Dongguan Tel: +86 769 85358920 Fax: +86 769 85358915 E-mail: sales@wcon.com

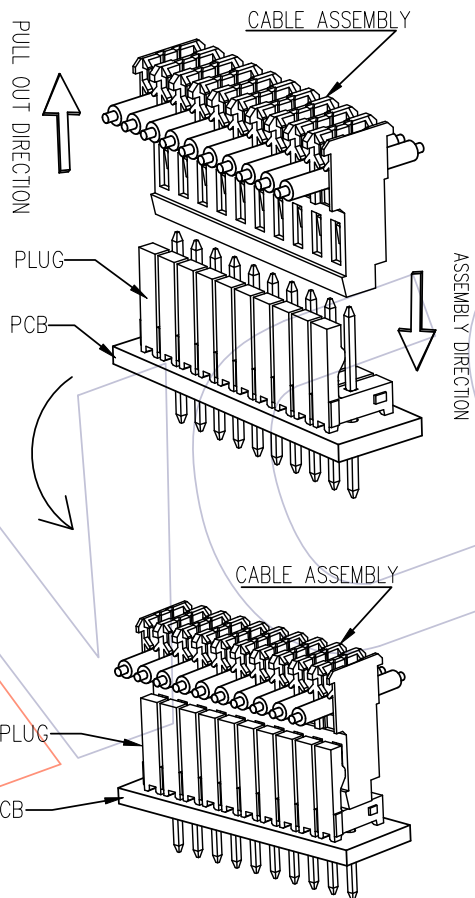
WCON-Kunshan Tel: +86 512 57468408 Fax: +86 512 57468468 E-mail: salesks@wcon.com

# HSF

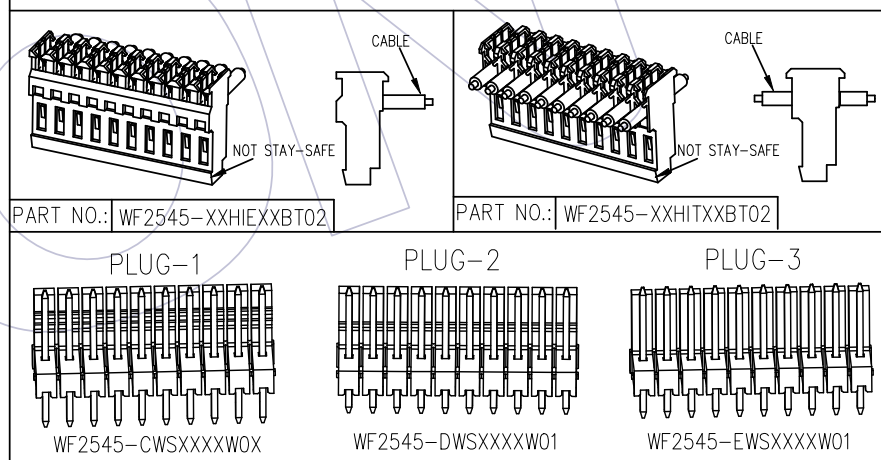
ALLOWED ANGULAR INCLINATION  
TOLERANCES LONGITUDINAL:  $\pm 5^\circ$



DYNAMIC USE HINT:



ADAPTATION CABLE ASSEMBLY



ASSEMBLY COMPLETION STATUS

A3	2021/04/02	Modify dimension label	Chao	OPERATION	DRAW	DATE	SCALE	FIT	PART NO.	 <a href="http://www.wcon.com">Http: www.wcon.com</a> WCON-Dongguan Tel: +86 769 85358920 WCON-Kunshan Tel: +86 512 57468408 Fax: +86 769 85358915 E-mail: sales@wcon.com
A2	2020/08/04	Modify Dimension Label	Andrey	X.X	Chao	2021/04/02	UNIT	mm [inch]	WF2545-CWSXXXW01	
A1	2020/04/16	Add Contact plating "S4" and "G4"	Andrey	X.XX	CHECK	DATE	SIZE	A4	TITLE:	
A0	2020/03/30	NEW	Andrey	X.XXX	APPROVE	DATE	SHEET	3/3	2.54mm Wafer S/T Single Row, Breakable, Dip Height=6.90mm	
REV	DATE	MODIFICATION DESCRIPTION	CHANGE	Angle $\pm 3^\circ$	DIM	TOL	PROJ.		Customer NO.	E-mail: sales@wcon.com