

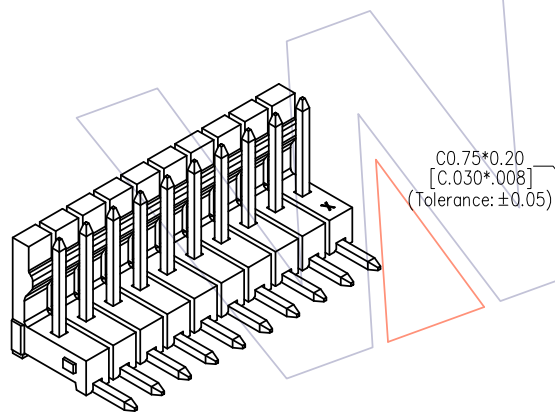
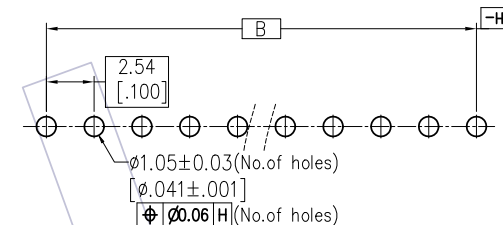
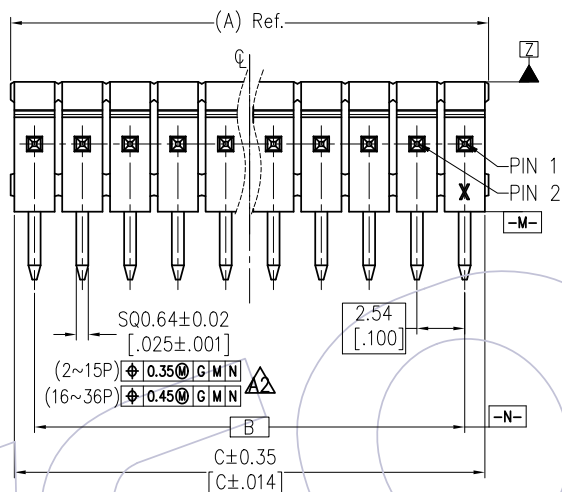
# HSF

NOTES:  
 Current Rating: 3.0AMP  
 Voltage Rating: 250V  
 Contact Resistance: 20m Ω Max  
 Withstand Voltage: 1000V AC/minute  
 Insulation Resistance: 1000M Ω Min  
 Operation Temperature: -40℃ to +105℃

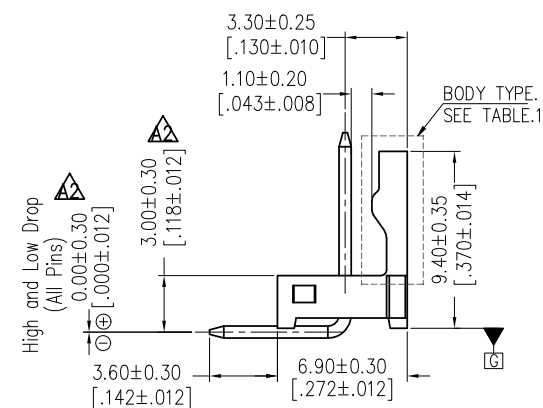
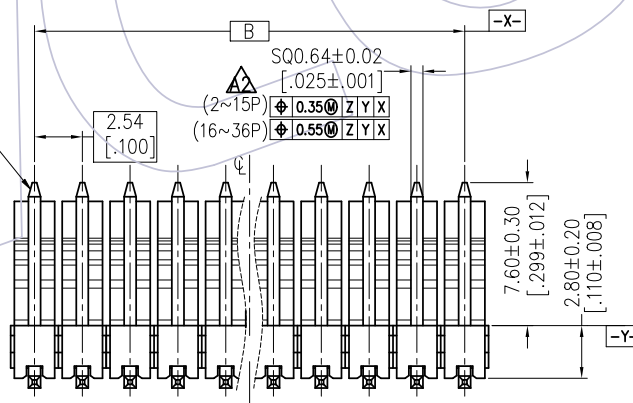
Contact Material: Copper Alloy  
 Contact plating: See Ordering Information  
 Insulator Material: PA66, G.F, UL94V-0, WHITE.

Recommended Process:  
 Wave Soldering, Peak temperature: 235±5℃

Recommended P.C.B Layout(Top Side)  
 (PCB BOARD TOLERANCE±0.05)  
 PCB BOARD THICKNESS: 1.6~2.0



3D VIEW



REV	DATE	MODIFICATION DESCRIPTION	CHANGE	OPERATION	DRAW	DATE	SCALE	FIT	PART NO.
A2	2020/11/23	Change the size according to customer requirements and revised position tolerance	ZXC	x.x ±0.40	ZXC	2020/11/23	UNIT	mm [inch]	WF2545-CWRXXXXW01
A1	2020/04/16	Add Contact plating "S4" and "G4"	Andrey	x.xx ±0.25	CHECK	DATE	SIZE	A4	TITLE:
A0	2020/03/11	NEW	Andrey	x.xxx ±0.15	APPROVE	DATE	SHEET	1/3	2.54mm Wafer R/A Single Row, Breakable, Dip Height=3.60mm
				Angle ± 3'			PROJ.		Customer NO.
				DIM TOL					

**WCON**

Http: www.wcon.com

WCON-Dongguan Tel: +86 769 85358920 Fax: +86 769 85358915 E-mail: sales@wcon.com  
 WCON-Kunshan Tel: +86 512 57468408 Fax: +86 512 57468468 E-mail: salesks@wcon.com

# HSF

## Ordering Information

WF 2545 -C WR XX XX W 0 1

Company Code

Product Series Code:  
254= 2.54mm Pitch  
5= Fifth series

Body Type:  
See Table.1

Type Code:  
WR=90° DIP

No. of pins:  
02~36Pin

Contact Plating  
 ▲S4=15u" Gold Plated On Contact Area,  
 80u" Min Bright Tin Plated On Ni Plated  
 50u" Min Nickel Plated Overall

▲G4=15u" Gold Over 50u" Nickel

Blank:  
Full Bright Tin 80u" Min Plated Overall

Wcon Internal Code  
1~9

Packing  
0=PE Bag

Housing Color  
W=White

TABLE 1(BODY TYPE):

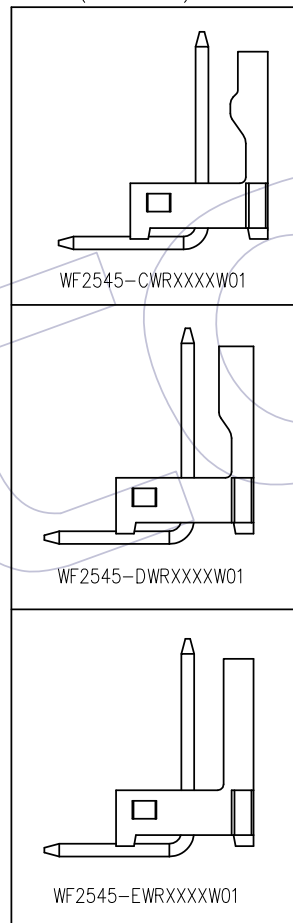



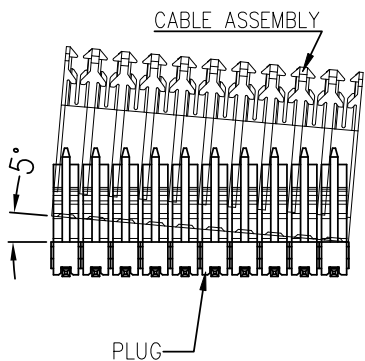
TABLE 2:

Pin No.	Part Number	Dim.A	Dim.B	Dim.C
2P	WF2545-CWR02XXW01	5.08	2.54	4.68
3P	WF2545-CWR03XXW01	7.62	5.08	7.22
4P	WF2545-CWR04XXW01	10.16	7.62	9.76
5P	WF2545-CWR05XXW01	12.70	10.16	12.30
6P	WF2545-CWR06XXW01	15.24	12.70	14.84
7P	WF2545-CWR07XXW01	17.78	15.24	17.38
8P	WF2545-CWR08XXW01	20.32	17.78	19.92
9P	WF2545-CWR09XXW01	22.86	20.32	22.46
10P	WF2545-CWR10XXW01	25.40	22.86	25.00
11P	WF2545-CWR11XXW01	27.94	25.40	27.54
12P	WF2545-CWR12XXW01	30.48	27.94	30.08
13P	WF2545-CWR13XXW01	33.02	30.48	32.62
14P	WF2545-CWR14XXW01	35.56	33.02	35.16
15P	WF2545-CWR15XXW01	38.10	35.56	37.70
16P	WF2545-CWR16XXW01	40.64	38.10	40.24
17P	WF2545-CWR17XXW01	43.18	40.64	42.78
18P	WF2545-CWR18XXW01	45.72	43.18	45.32
19P	WF2545-CWR19XXW01	48.26	45.72	47.86
20P	WF2545-CWR20XXW01	50.80	48.26	50.40
21P	WF2545-CWR21XXW01	53.34	50.80	52.94
22P	WF2545-CWR22XXW01	55.88	53.34	55.48
23P	WF2545-CWR23XXW01	58.42	55.88	58.02
24P	WF2545-CWR24XXW01	60.96	58.42	60.56
25P	WF2545-CWR25XXW01	63.50	60.96	63.10
26P	WF2545-CWR26XXW01	66.04	63.50	65.64
27P	WF2545-CWR27XXW01	68.58	66.04	68.18
28P	WF2545-CWR28XXW01	71.12	68.58	70.72
29P	WF2545-CWR29XXW01	73.66	71.12	73.26
30P	WF2545-CWR30XXW01	76.20	73.66	75.80
31P	WF2545-CWR31XXW01	78.74	76.20	78.34
32P	WF2545-CWR32XXW01	81.28	78.74	80.88
33P	WF2545-CWR33XXW01	83.82	81.28	83.42
34P	WF2545-CWR34XXW01	86.36	83.82	86.43
35P	WF2545-CWR35XXW01	88.90	86.36	88.50
36P	WF2545-CWR36XXW01	/	88.90	91.04

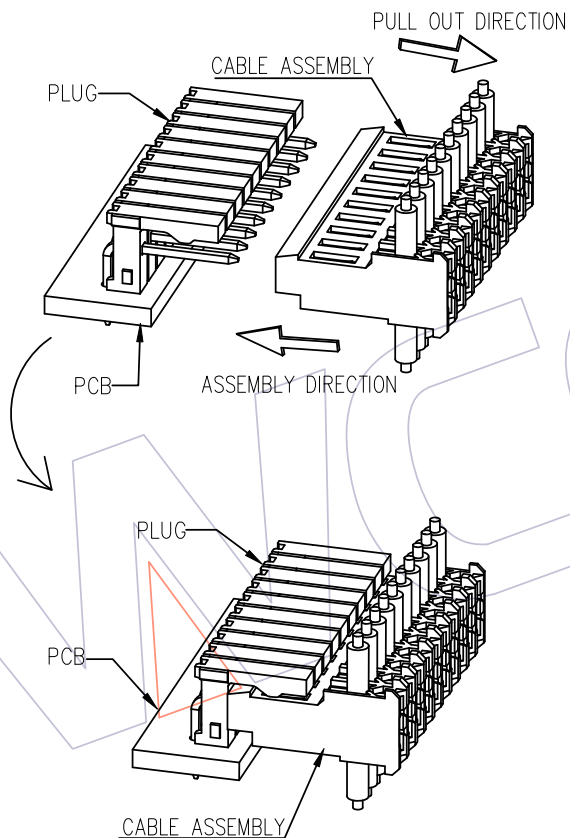
REV	DATE	MODIFICATION DESCRIPTION	CHANGE	OPERATION	DRAW	DATE	SCALE	FIT	PART NO.	 Http: www.wcon.com WCON-Dongguan Tel: +86 769 85358920 WCON-Kunshan Tel: +86 512 57468408 Fax: +86 769 85358915 Fax: +86 512 57468468 E-mail: sales@wcon.com E-mail: salesks@wcon.com
A2	2020/11/23	Change the size according to customer requirements and revised position tolerance ▲	ZXC	x.x ±0.40	ZXC	2020/11/23	UNIT	mm [inch]	WF2545-CWRXXXXW01	
A1	2020/04/16	Add Contact plating "S4" and "G4" ▲	Andrey	x.xx ±0.25	CHECK	DATE	SIZE	A4	TITLE: 2.54mm Wafer R/A Single Row, Breakable, Dip Height=3.60mm	
A0	2020/03/11	NEW	Andrey	x.xxx ±0.15	APPROVE	DATE	SHEET	2/3	Customer NO.	
				Angle ± 3'			PROJ.			
				DIM TOL						

# HSF

ALLOWED ANGULAR INCLINATION  
TOLERANCES LONGITUDINAL:  $\pm 5^\circ$

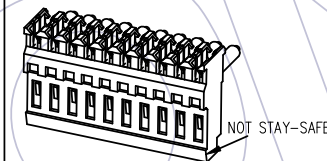


DYNAMIC USE HINT:

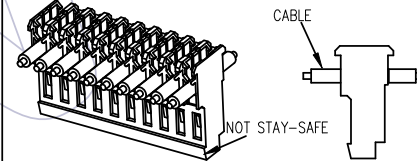


ASSEMBLY COMPLETION STATUS

ADAPTATION CABLE ASSEMBLY

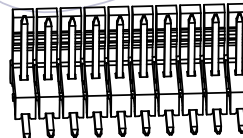


PART NO.: WF2545-XXHIEXXBT02



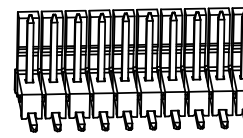
PART NO.: WF2545-XXHITXXBT02

PLUG-1



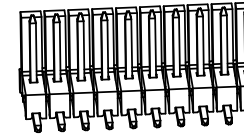
WF2545-CWRXXXXW01

PLUG-2



WF2545-DWRXXXXW01

PLUG-3



WF2545-EWRXXXXW01

REV	DATE	MODIFICATION DESCRIPTION	CHANGE	OPERATION	DRAW	DATE	SCALE	FIT	PART NO.
A2	2020/11/23	Change the size according to customer requirements and revised position tolerance $\triangle$	ZXC	x.x	$\pm 0.40$	2020/11/23	UNIT	mm [inch]	WF2545-CWRXXXXW01
A1	2020/04/16	Add Contact plating "S4" and "G4" $\triangle$	Andrey	x.xx	$\pm 0.25$	DATE	SIZE	A4	TITLE: 2.54mm Wafer R/A Single Row, Breakable, Dip Height=3.60mm
A0	2020/03/11	NEW	Andrey	x.xxx	$\pm 0.15$	DATE	SHEET	3/3	Customer NO.
				Angle	$\pm 3^\circ$		PROJ.	$\phi$	
				DIM	TOL				

## WCON

Http: www.wcon.com

WCON-Dongguan  
Tel: +86 769 85358920  
Fax: +86 769 85358915  
E-mail: sales@wcon.com

WCON-Kunshan  
Tel: +86 512 57468408  
Fax: +86 512 57468468  
E-mail: salesks@wcon.com