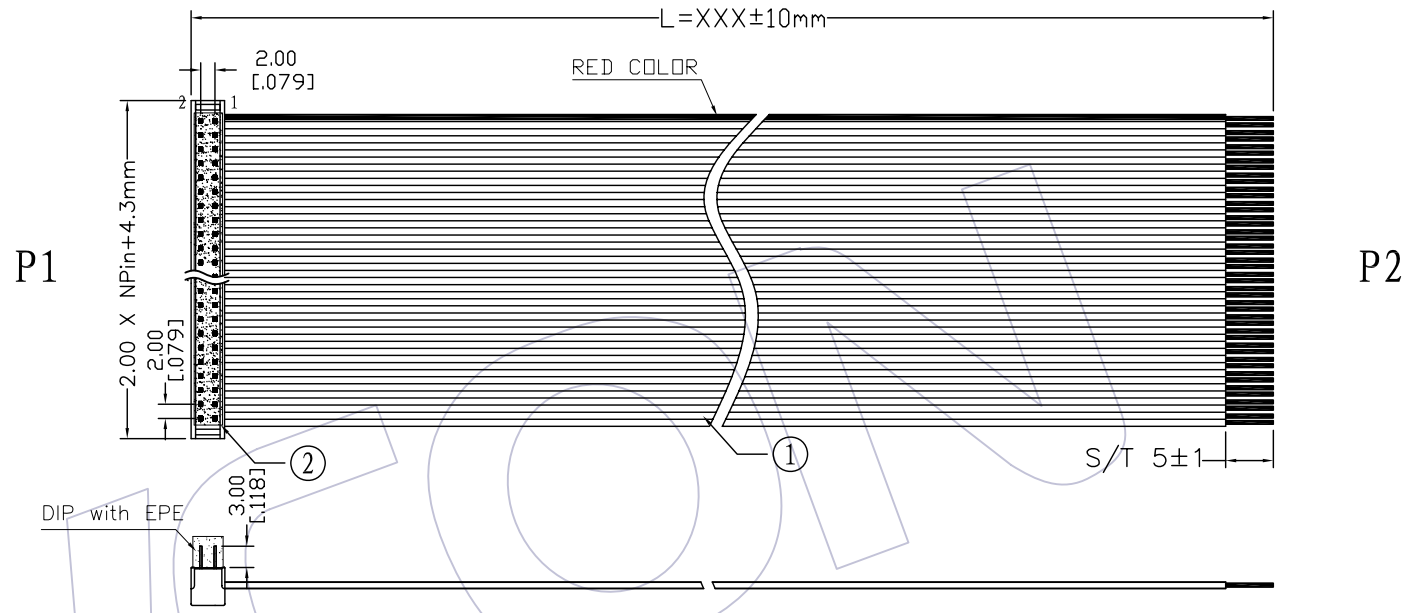


HSF

HOUSING MATERIAL
 Insulation Material:PBT+30%GF(UL94V-0)
 Contact Material:Brass
 Contact plating:Au or Sn Over Ni

SPECIFICATIONS
 Insulation Resistance:5MΩ Min
 Contact Resistance:1.0Ω Max
 Withstand Voltage:DC 300V, 10S
 The Cable Assembly Must 100% Test

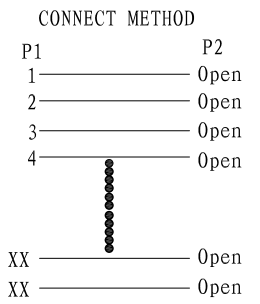
CABLE MATERIAL
 Insulation:UL 2651,Grey Red Side
 Conductor:28AWG(7/0.12mm)
 Electrical:300V



Ordering Information

FT2C - xx xx C A B xxx - 01

- No.OF Pins: 04-80p
- Contact Plating: G0=Gold Flash, G3=10u"Gold, G4=15u"Gold, G5=30u"Gold, S0=Gold Flash/Ni, S3=10u"Gold/Ni, S4=15u"Gold/Ni, S5=30u"Gold/Ni, SN=Tin
- Connector Direction: C=OPEN END
- Connector Color: B=Black
- Length of Line(mm): xxx



②	5320-XXBXXB01	CONN.	2.00 DIP **P PBT Black Brass Plating Xu" gold	1	SET
①	F1U-B28GXXD0-XXXX-1	WIRE	UL2651 PH1.0mm XXP 28AWG (7/0.12TC) PVC Grey Marking Red Side	XXXX	MM
NO.	PART NO.	NAME	TITLE	QT'Y	UNIT

						OPERATION	DRAW	BEN	09/09/08	SCALE	1:1	WCON 维峰五金电子有限公司 WAVE HARDWARE ELECTRONICS CO. LTD		
						x.x ±0.40	DESIGN			UNIT	mm			
						x.xx ±0.25	CHECK			SIZE	A4		PART NO.	FT2C -xxxxCABxxx-01
						x.xxx ±0.15	APPROVE			SHEET	1/1		TITLE:	2.00 DIP Drawing
AO	09/09/08		NEW			Angle ± 3'				PROJ.	↻	Customer NO.		
REV	DATE	MODIFICATION	DESCRIPTION	CHANGE	APPROVE	DIM	TOL	APPROVE						