

HSF

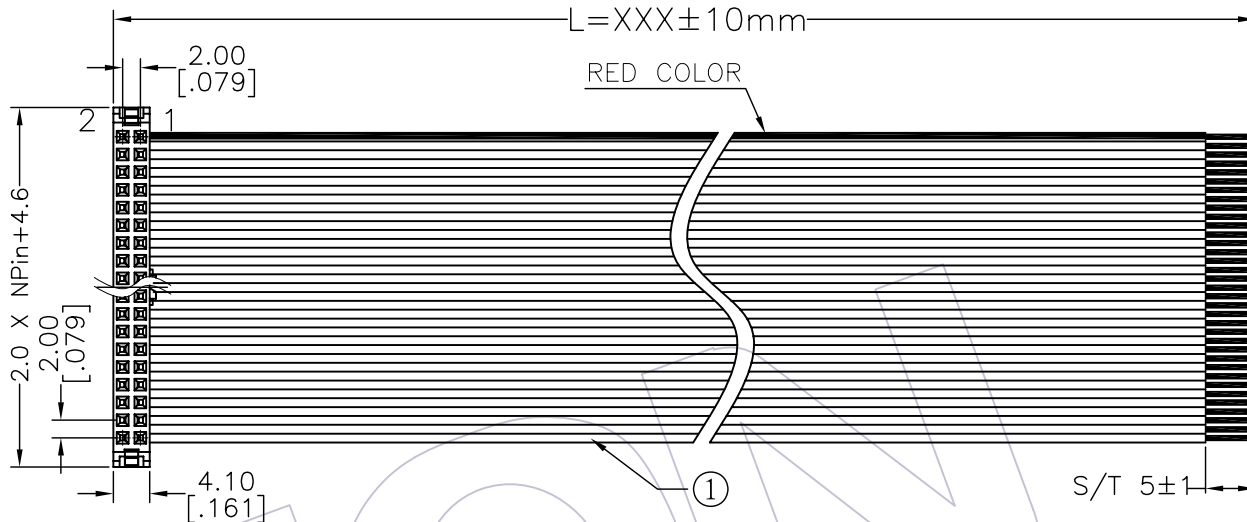
IDC HOUSING MATERIAL
 Insulation Material:PBT+30%GF(UL94V-0)
 Contact Material:Phosphor Bronze
 Contact plating:Au or Sn Over Ni

SPECIFICATIONS

Insulation Resistance:5MΩ Min
 Contact Resistance:1.0Ω Max
 Withstand Voltage:DC 300V, 10S
 The Cable Assembly Must 100% Test

CABLE MATERIAL

Insulation:UL 2651,Grey Red Side
 Conductor:28AWG(7/0.12mm)
 Electrical:300V



Ordering Information

FT2A - xx xx C A B xxx - 91

No.Of Pins
04-64p

Contact Plating:
G0=Gold Flash

G3=10u"Gold

G4=15u"Gold

G5=30u"Gold

S0=Gold Flash/Ni

S3=10u"Gold/Ni

S4=15u"Gold/Ni

S5=30u"Gold/Ni

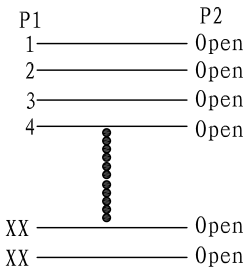
SN=Tin

Connector Direction:
C=OPEN END

Connector Color:
B=Black

Length of Line(mm)

CONNECT METHOD



②	5224-XXYPXXBW01	CONN.	2.00 IDC **P F TYPE PBT Black Phosphor Bronze Plating Xu" gold	1	SET
①	F1U-B28CXXD0-XXXX-1	WIRE	UL2651 PH1.0mm XXP 28AWG (7/0.12TC) PVC Grey Marking Red Side	XXXX	MM
NO.	PART NO.	NAME	TITLE	QT'Y	UNIT

						OPERATION	DRAW	BEN	09/08/26	SCALE	1:1	WCON 维峰五金电子有限公司 WAFE HARDWARE ELECTRONICS CO. LTD	
						X.X ±0.40	DESIGN			UNIT	mm		
						X.XX ±0.25	CHECK			SIZE	A4	PART NO.	FT2A -xxxxCABxxx-91
AO	09/08/26		NEW			X.XXX ±0.15	APPROVE			SHEET	1/1	TITLE:	2.00 F TYPE IDC Drawing
REV	DATE		MODIFICATION DESCRIPTION	CHANGE	APPROVE	Angle ± 3'				PROJ.	☞	Customer NO.	
						DIM TOL							