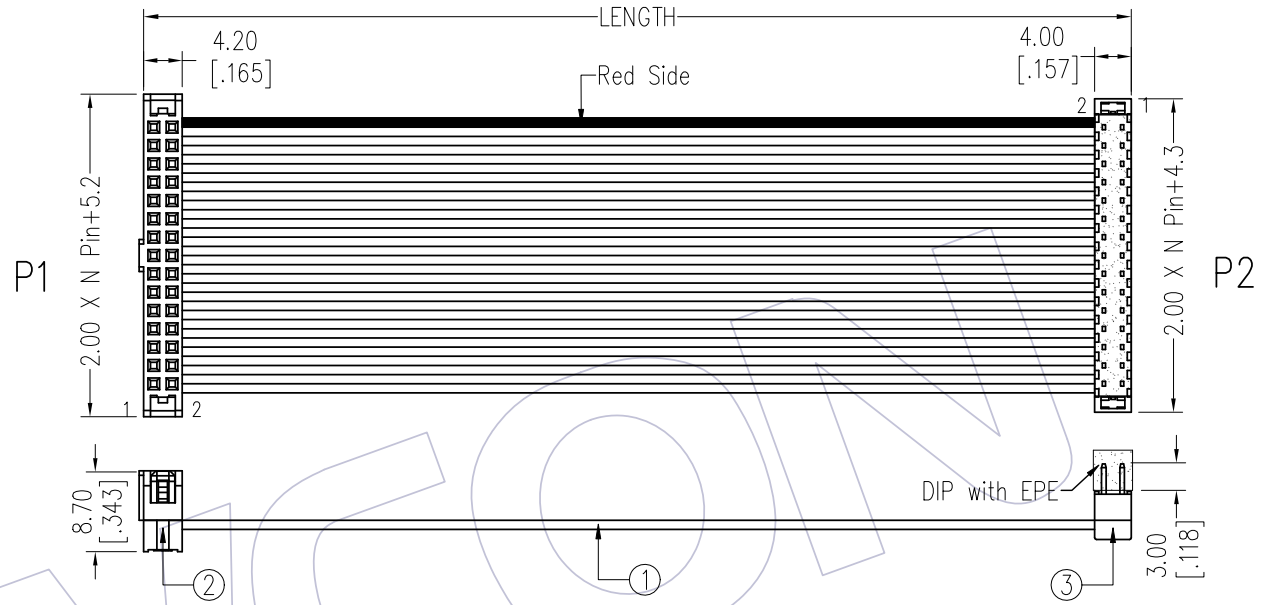


HSF

SPECIFICATIONS:
 Contact Resistance: 1Ω Max.
 Insulation Resistance: 5MΩ Min.
 Withstand Voltage: 300V AC
 The Cable Assembly Must 100% Test



Ordering Information

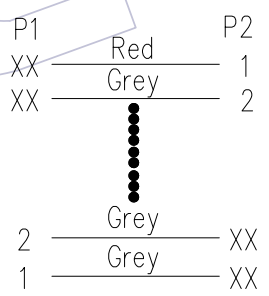
FB22 - XX XX F B B XXX - 02

No. OF Pins Contact Plating: 06~64p G0=Gold Flash
 G3=10u"Gold
 G4=15u"Gold
 G5=30u"Gold
 S0=Gold Flash/Ni
 S3=10u"Gold/Ni
 S4=15u"Gold/Ni
 S5=30u"Gold/Ni
 SN=Tin

Connector Color: B=Black
 Connector Direction: F=same Direction

Wcon Code 01~99
 Length of Line(mm)

CONNECT METHOD




LENGTH	TOLERANCE
≤100	±5
101~1000	±10
1001~3000	±20
3001~	± Lx1%

③	5320-XXPS0B01	CONN.	2.00 DIP Plug,XXP,PBT BK,P/Bronze,Xu"Gold	1	PCS
②	5222-XXYPS0BW01	CONN.	2.00 IDC Socket,XXP, Spring Type,W/T Bump,PBT BK,Xu"Gold/Ni	1	PCS
①	F1U-B28GXXD0-XXXX-X	WIRE	1.00 Flat Cable,XXP,PVC Grey,Red Side,UL2651,28AWG(7/0.12)	XX	MM
NO.	PART NO.	NAME	TITLE	QT'Y	UNIT

REV	DATE	MODIFICATION DESCRIPTION	CHANGE
A0	2020/10/16	NEW	-

OPERATION	DRAW	DATE	SCALE	Fit	PART NO.
X.X ±0.40	XSR	2020/10/16	UNIT	mm [inch]	FB22-XXXXFBBXXX-02
X.XX ±0.25	CHECK	DATE	SIZE	A4	TITLE:
X.XXX ±0.15	APPROVE	DATE	SHEET	1/1	2.00mm IDC to 2.00mm DIP
Angle ± 3°			PROJ.		CUSTOMER NO.
DIM	TOL				



Http: www.wcon.com

WCON-Dongguan Tel: +86 769 85358920 Fax: +86 769 85358915 E-mail: sales@wcon.com	WCON-Kunshan Tel: +86 512 57468408 Fax: +86 512 57468468 E-mail: salesks@wcon.com
---	--