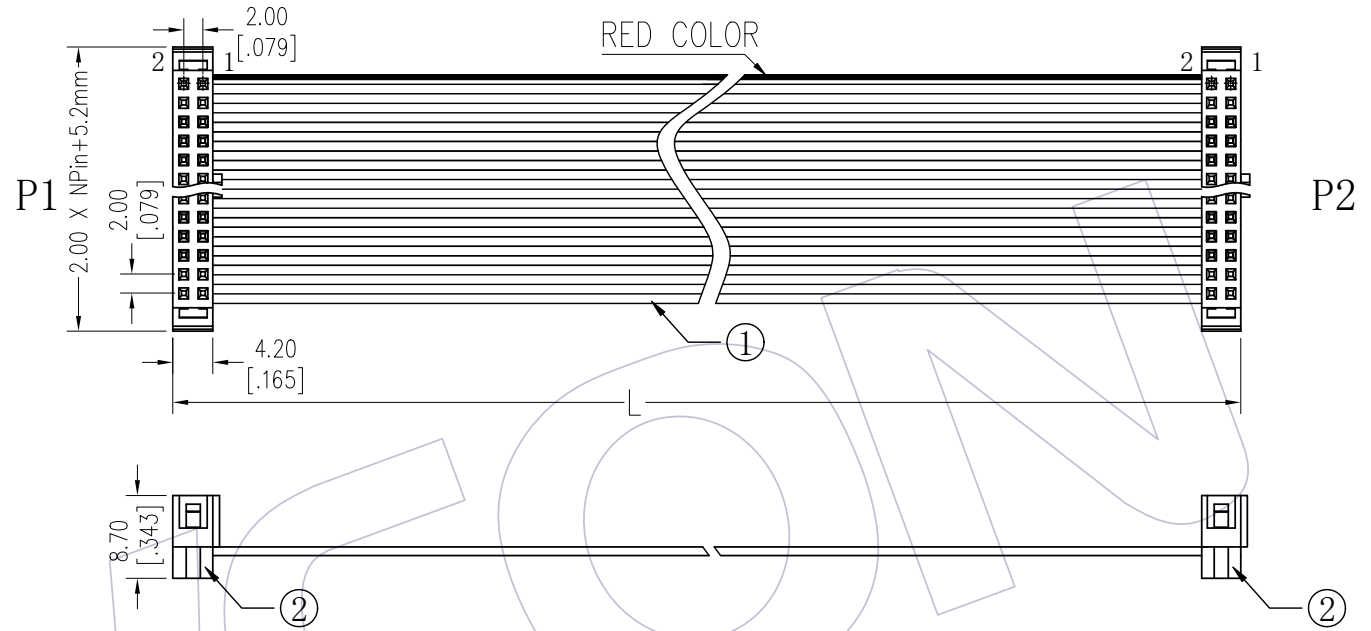


# HSF

## SPECIFICATIONS

Insulation Resistance: 5MΩ Min  
 Contact Resistance: 1.0Ω Max  
 Withstand Voltage: DC 300V, 10S  
 The Cable Assembly Must 100% Test



## Ordering Information

FA22 - XXXX A A X XXX - 01

No. OF Pins  
06~64p

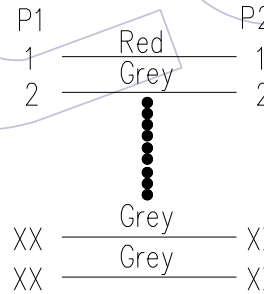
Contact Plating:  
 G0=Gold Flash  
 G3=10u"Gold  
 G4=15u"Gold  
 G5=30u"Gold  
 S0=Gold Flash/Ni  
 S3=10u"Gold/Ni  
 S4=15u"Gold/Ni  
 S5=30u"Gold/Ni  
 SN=Tin

Connector Color:  
 B=Black  
 G=Grey

Connector Direction:  
 A=Same Direction

Length of Line(mm)

## CONNECT METHOD



LENGTH	TOLERANCE
≤100	±5
101~1000	±10
1001~3000	±20
3001~	± Lx1%

②	5222-XXYPXXXW01	CONN.	2.00 IDC **P PBT BK/Grey Phosphor Bronze Plating Xu" gold With Bump	2	SET
①	F1U-B28GXXD0-XXXX-X	WIRE	UL2651 PH1.0mm XXP 28AWG(7/0.12TC) PVC Grey Marking Red Side	XXXX	MM
NO.	PART NO.	NAME	TITLE	QTY	UNIT

REV	DATE	MODIFICATION DESCRIPTION	CHANGE	OPERATION	DRAW XSR	DATE	SCALE	FIT	PART NO.
A1	2020/07/10	Change drawing frame	XSR	x.x ±0.40	CHECK	2020/07/10	UNIT mm	mm	FA22-XXXXAAXXXX-01
AO	2009/08/22	NEW	BEN	x.xx ±0.25	APPROVE		SIZE A4	1/1	TITLE: 2.00mm IDC Drawing
				x.xxx ±0.15			SHEET		Customer NO.
				Angle ± 3°			PROJ.		
				DIM TOL					

# WCON

Http: www.wcon.com

WCON-Dongguan Tel: +86 769 85358920 Fax: +86 769 85358915 E-mail: sales@wcon.com

WCON-Kunshan Tel: +86 512 57468408 Fax: +86 512 57468468 E-mail: salesks@wcon.com