

# HSF

**NOTES:**

Rated Current: 3.0A  
 Rated Voltage: 250V  
 Contact Resistance: 20mΩ Max  
 Withstand Voltage: 1000V AC/Minute  
 Insulation Resistance: 1000MΩ Min  
 Operation Temperature: -40℃ to +105℃

Contact Material: Copper Alloy  
 Contact plating: 100u" Tin over 50u" nickel

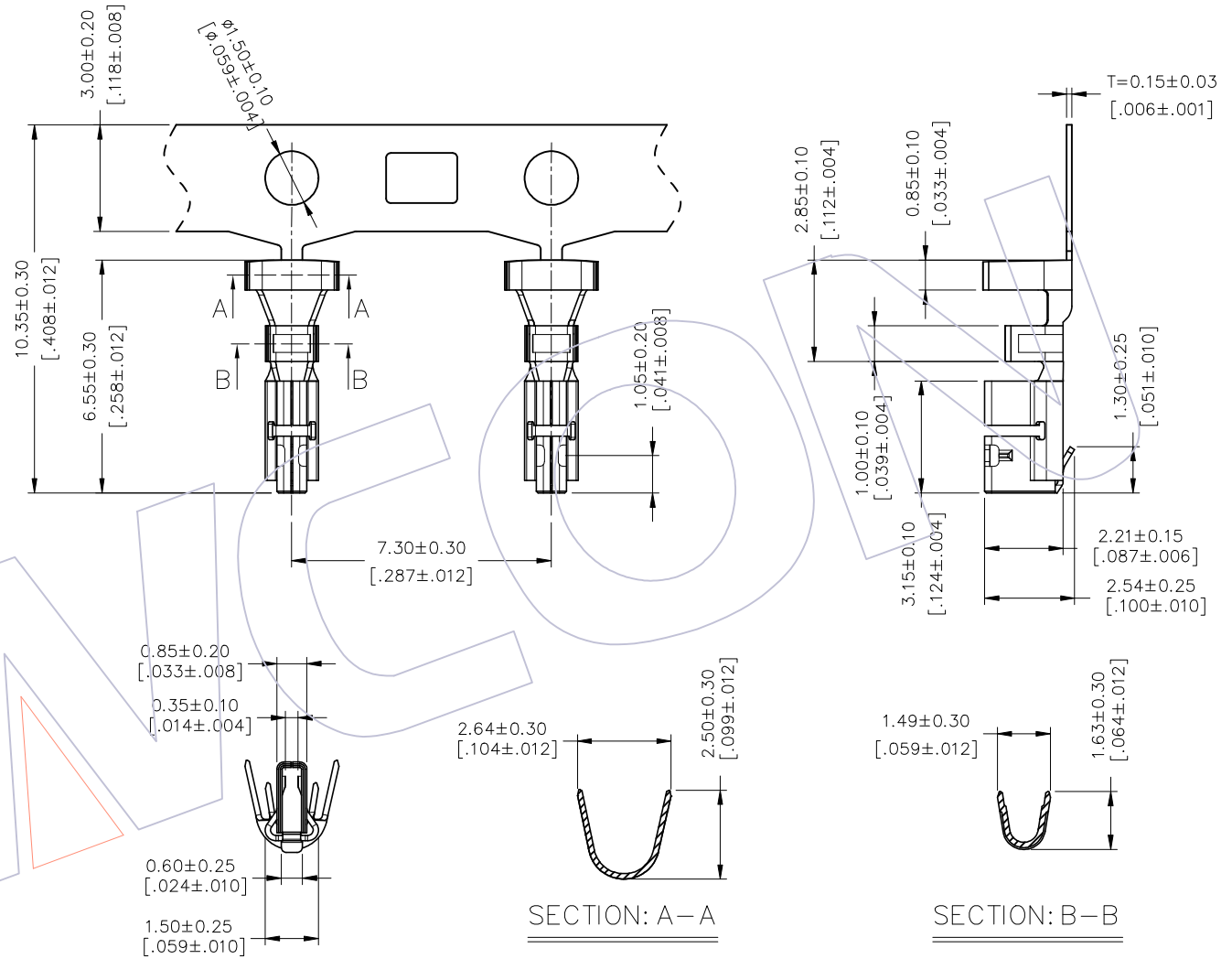
## Ordering Information

WF2007- T P XX 01

T=Terminal  
 Material P=Phosphor bronze  
 Journal Number  
 Contact Plating  
 SN=Tin  
 SM=Matte Tin

**Specification Information:**

Wire Range	Insulation O.D
AWG#22~#28	∅0.90~1.70mm



SECTION: A-A

SECTION: B-B

OPERATION		DRAW Hui. Liu	DATE 2020/04/22	SCALE FIT	PART NO. WF2007-TPXX01
X.X	±0.40				
X.XX	±0.25	CHECK	DATE	UNIT mm inch	TITLE: 2.0mm Wafer Terminal M Type ,Crimp Type
X.XXX	±0.15				
Angle	± 3'	APPROVE	DATE	SHEET 1/1	Customer NO.
DIM	TOL				

# WCON

Http: www.wcon.com

WCON-Dongguan Tel: +86 769 85358920  
 WCON-Kunshan Tel: +86 512 57468408  
 Fax: +86 769 85358915 Fax: +86 512 57468468  
 E-mail: sales@wcon.com E-mail: salesks@wcon.com

REV	DATE	MODIFICATION DESCRIPTION	CHANGE
A0	2020/04/22	NEW	