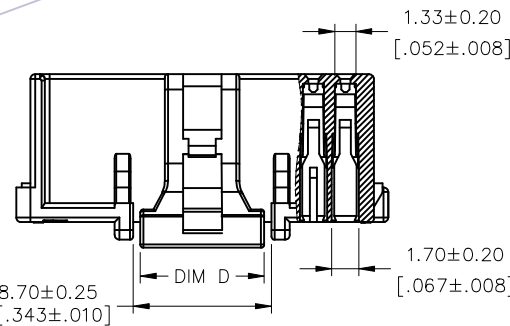
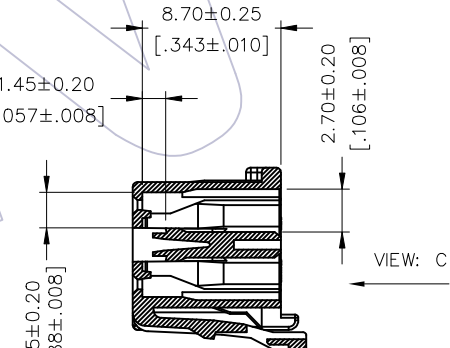
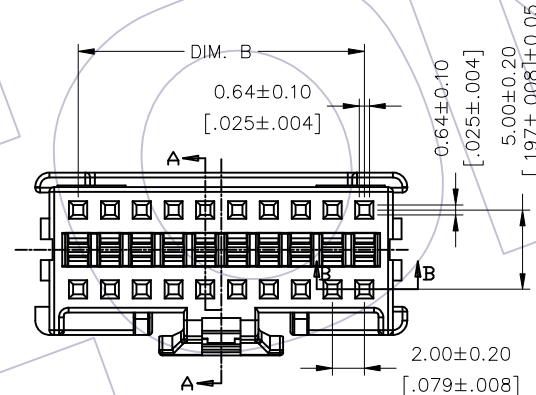
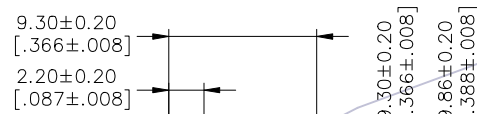
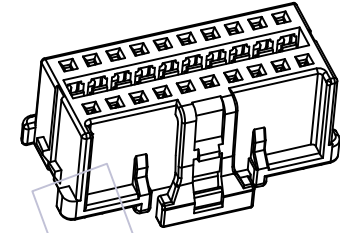
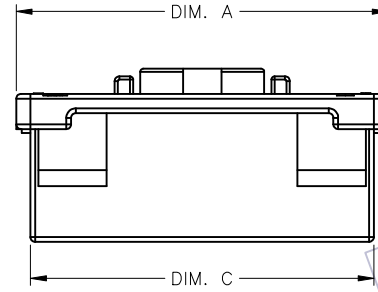
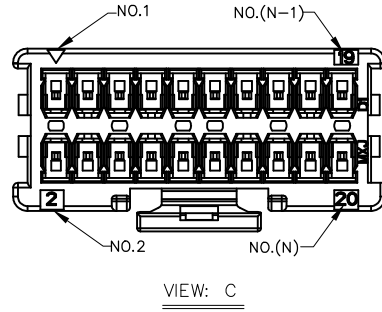


# HSF

NOTES:  
 Rated Current: 3.0A  
 Rated Voltage: 250V  
 Contact Resistance: 20mΩ Max  
 Withstand Voltage: 1000V AC/Minute  
 Insulation Resistance: 1000MΩ Min  
 Operation Temperature: -40℃ to +105℃

Contact Material: Copper Alloy  
 Insulator Material: PA66,G.F,UL94V-0,White



## Ordering Information

WF2007- 2 H XX X 01

2=Dual Row

H=Housing

NO. of Pins  
Per Row

Journal Number

Color  
W=White

No. of Pins	DIM A	DIM B	DIM C	DIM D
2*20	43.4±0.30	38±0.30	41.6±0.30	7.8±0.25
2*19	41.4±0.30	36±0.30	39.6±0.30	7.8±0.25
2*18	39.4±0.30	34±0.30	37.6±0.30	7.8±0.25
2*17	37.4±0.30	32±0.30	35.6±0.30	7.8±0.25
2*16	35.4±0.30	30±0.30	33.6±0.30	7.8±0.25
2*15	33.4±0.30	28±0.25	31.6±0.30	7.8±0.25
2*14	31.4±0.30	26±0.25	29.6±0.25	7.8±0.25
2*13	29.4±0.25	24±0.25	27.6±0.25	7.8±0.25
2*12	27.4±0.25	22±0.25	25.6±0.25	7.8±0.25
2*11	25.4±0.25	20±0.25	23.6±0.25	7.8±0.25
2*10	23.4±0.25	18±0.25	21.6±0.25	7.8±0.25
2*9	21.4±0.25	16±0.25	19.6±0.25	7.8±0.25
2*8	19.4±0.25	14±0.25	17.6±0.25	7.8±0.25
2*7	17.4±0.25	12±0.25	15.6±0.25	7.8±0.25
2*6	15.4±0.25	10±0.25	13.6±0.25	7.8±0.25
2*5	13.4±0.25	8±0.25	11.6±0.25	4.7±0.25
2*4	11.4±0.25	6±0.25	9.6±0.25	4.7±0.25

OPERATION	DATE	SCALE	FIT	PART NO.
X.X ±0.40	2020/05/16	UNIT mm		WF2007-2HXXW01
X.XX ±0.25	DATE	SIZE A4		TITLE:
X.XXX ±0.15	DATE	SHEET 1/1		2.0*5.0mm Wafer Housing
Angle ± 3'	DATE	PROJ		M Type, Dual Row, Crimp Type
DIM TOL				Customer NO.

OPERATION	DATE	SCALE	FIT	PART NO.
X.X ±0.40	2020/05/16	UNIT mm		WF2007-2HXXW01
X.XX ±0.25	DATE	SIZE A4		TITLE:
X.XXX ±0.15	DATE	SHEET 1/1		2.0*5.0mm Wafer Housing
Angle ± 3'	DATE	PROJ		M Type, Dual Row, Crimp Type
DIM TOL				Customer NO.

OPERATION	DATE	SCALE	FIT	PART NO.
X.X ±0.40	2020/05/16	UNIT mm		WF2007-2HXXW01
X.XX ±0.25	DATE	SIZE A4		TITLE:
X.XXX ±0.15	DATE	SHEET 1/1		2.0*5.0mm Wafer Housing
Angle ± 3'	DATE	PROJ		M Type, Dual Row, Crimp Type
DIM TOL				Customer NO.

OPERATION	DATE	SCALE	FIT	PART NO.
X.X ±0.40	2020/05/16	UNIT mm		WF2007-2HXXW01
X.XX ±0.25	DATE	SIZE A4		TITLE:
X.XXX ±0.15	DATE	SHEET 1/1		2.0*5.0mm Wafer Housing
Angle ± 3'	DATE	PROJ		M Type, Dual Row, Crimp Type
DIM TOL				Customer NO.

OPERATION	DATE	SCALE	FIT	PART NO.
X.X ±0.40	2020/05/16	UNIT mm		WF2007-2HXXW01
X.XX ±0.25	DATE	SIZE A4		TITLE:
X.XXX ±0.15	DATE	SHEET 1/1		2.0*5.0mm Wafer Housing
Angle ± 3'	DATE	PROJ		M Type, Dual Row, Crimp Type
DIM TOL				Customer NO.



Http: www.wcon.com

WCON-Dongguan Tel: +86 769 85358920 Fax: +86 769 85358915 E-mail: sales@wcon.com	WCON-Kunshan Tel: +86 512 57468408 Fax: +86 512 57468468 E-mail: sales@wcon.com
---	--

REV	DATE	MODIFICATION DESCRIPTION	CHANGE
A0	2020/05/16	NEW	