

# HSF

**NOTES:**

Current Rating:1A AMP  
 Contact Resistance:30milliohm Max  
 Withstand Voltage:250V AC/DC  
 Insulation Resistance:1000Megohm Min  
 Operation Temperature:-40°C to +105°C

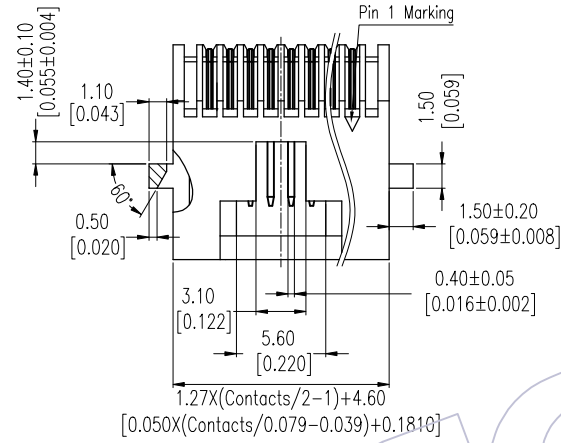
Housing Material:PA9T+33%GF(UL94V-0)  
 Contact Material:Phosphor Bronze  
 Contact plating:Au or Sn over Ni Plating

Latch Material:Phosphor Bronze  
 Latch plating:Sn over Ni Plating

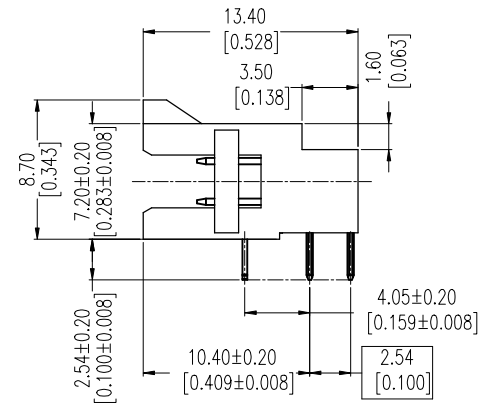
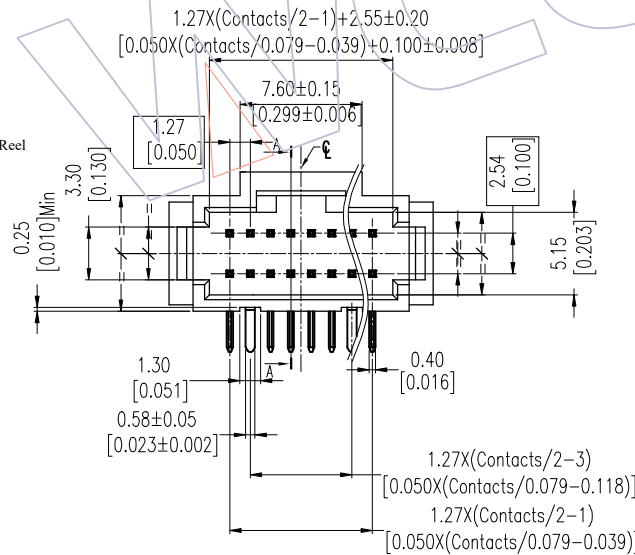
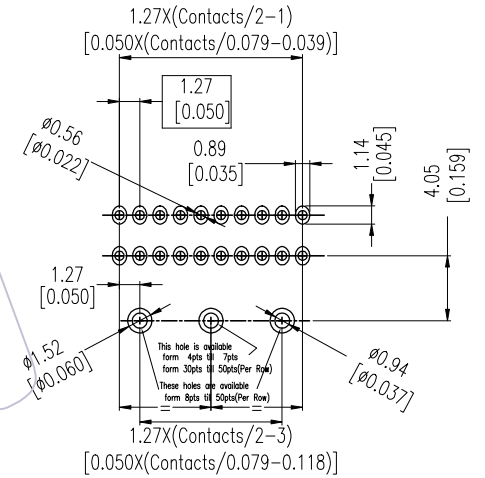
## Ordering Information


WF1271 - 2WRH XX B X 2

No. of pins Per Row 04-50P	Contact Plating S0=Gold Flash/Tin S3=10u"Gold/Tin S4=15u"Gold/Tin S5=30u"Gold/Tin G0=Gold Flash G3=10u"Gold G4=15u"Gold G5=30u"Gold Blank=Tin	Color B=Black	Packing T=Tube R=Tape&Reel
----------------------------------	--	------------------	----------------------------------



### Recommended P. C. B Layout (Top Side) (PCB BOARD TOLERANCE ±0.05)



				OPERATION	DRAW	DATE	SCALE	FIT	PART NO.	 Http: www.wcon.com
				x.x ±0.40	Ding	2017/01/09	UNIT	mm	WF1271-2WRHXXBX2	
				x.xx ±0.25	CHECK	DATE	SIZE	inch	TITLE: 1.27*2.54 Wafer 90° DIP TYPE	WCON-Dongguan Tel: +86 769 85358920 WCON-Kunshan Tel: +86 512 57468408 Fax: +86 769 85358915 E-mail: sales@wcon.com
				x.xxx ±0.15	APPROVE	DATE	SHEET	A4	H=13.40, W/O LOGO W/T Ear (With Fixing Hardware)	
AO	2017/01/09	NEW		Angle ± 3°			PROJ.	1/2	Customer NO.	
REV	DATE	MODIFICATION DESCRIPTION	CHANGE	DIM TOL						