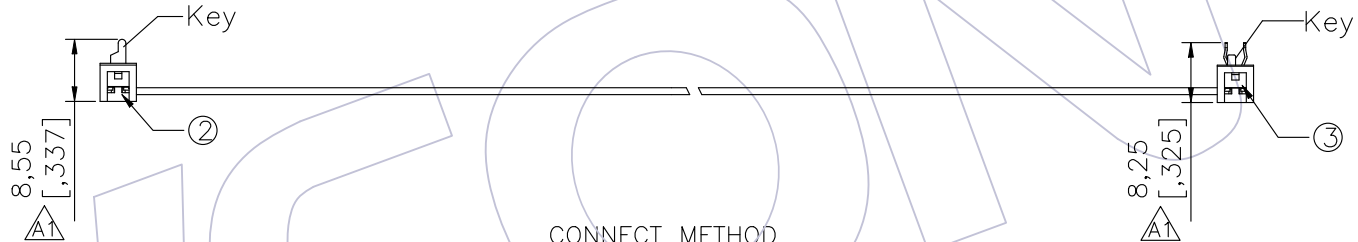
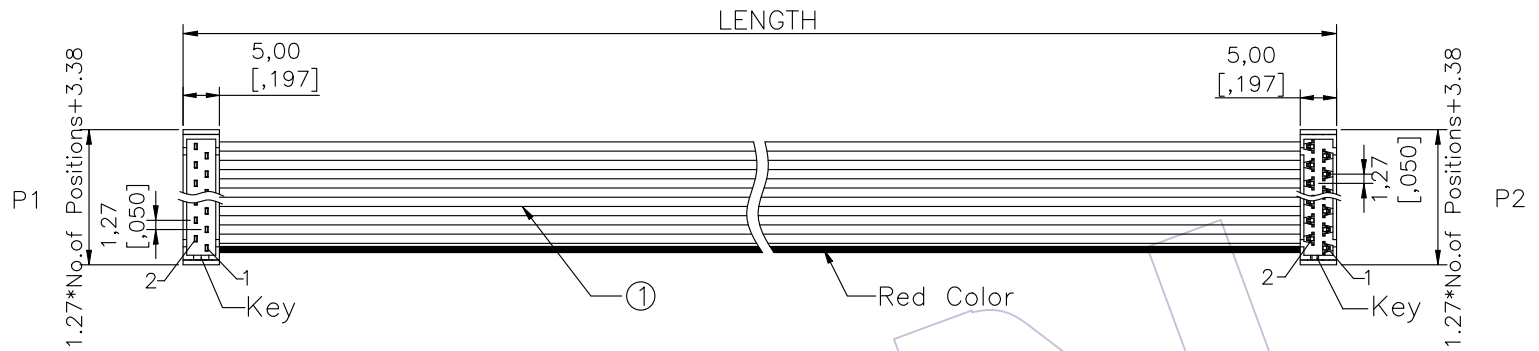


HSF

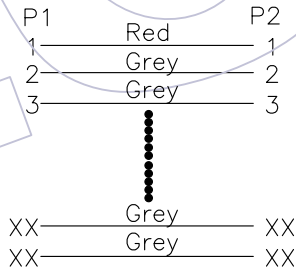
HOUSING MATERIAL:
 Micro Insulator Material:PBT+30%G.F UL94V-0
 Micro Contact Material:Phosphor Bronze
 Micro Contact plating:Sn Over Ni

CABLE MATERIAL:
 Insulator:UL 2651,Grey
 Conductor:28AWG(7/0.12mm)
 Electrical:300V
 Current Rating:1.0A

SPECIFICATIONS
 Insulation Resistance:5M Ω Min
 Contact Resistance:1.0 Ω Max
 Withstand Voltage:DC 300V,10S
 The Cable Assembly Must 100% Test



CONNECT METHOD



LENGTH	TOLERANCE
≤100	±5
101~1000	±10
1001~3000	±20
3001~	± Lx1%

Ordering Information

F3900C - XX SN A R XXX 001

No.OF Pins 04~20p Contact Plating SN=Tin CONN.Color R=Red Length of Line

NO.	PART NO.	NAME	TITLE	Q'TY	UNIT
③	3900-XXMISNANT01	CONN.	1.27 XXP Micro Match DIP PLUG IDC PBT RED Plating:SN	1	PCS
②	3900-XXMISNANT02	CONN.	1.27 XXP Micro Match BOX PLUG IDC PBT RED Plating:SN	1	PCS
①	F1U-C28GXXD0-XXXX-1	WIRE	UL2651 PH1.27mm XXP 28AWG(7/0.12TC) PVC Grey Red Side	XXX	MM

REV	DATE	MODIFICATION DESCRIPTION	CHANGE	OPERATION	DRAW	DATE	SCALE	FIT	PART NO.
				X.X ±0.40	BEN	10/11/04	UNIT	mm inch	F3900C-XXSNARXXX001
A1	10/11/04	Change Micro Match ASS'Y Height		X.XX ±0.25	CHECK	DATE	SIZE	A4	TITLE: 1.27 MRC Drawing
A0	09/07/08	NEW		X.XXX ±0.15	APPROVE	DATE	SHEET	1/1	Customer NO.
				Angle ± 3'			PROJ.		
				DIM TOL					

WCON

Http: www.wcon.com

WCON-Dongguan WCON-Kunshan
 Tel: +86 769 85358920 Tel: +86 512 57468408
 Fax: +86 769 85358915 Fax: +86 512 57468468
 E-mail: sales@wcon.com E-mail: salesks@wcon.com