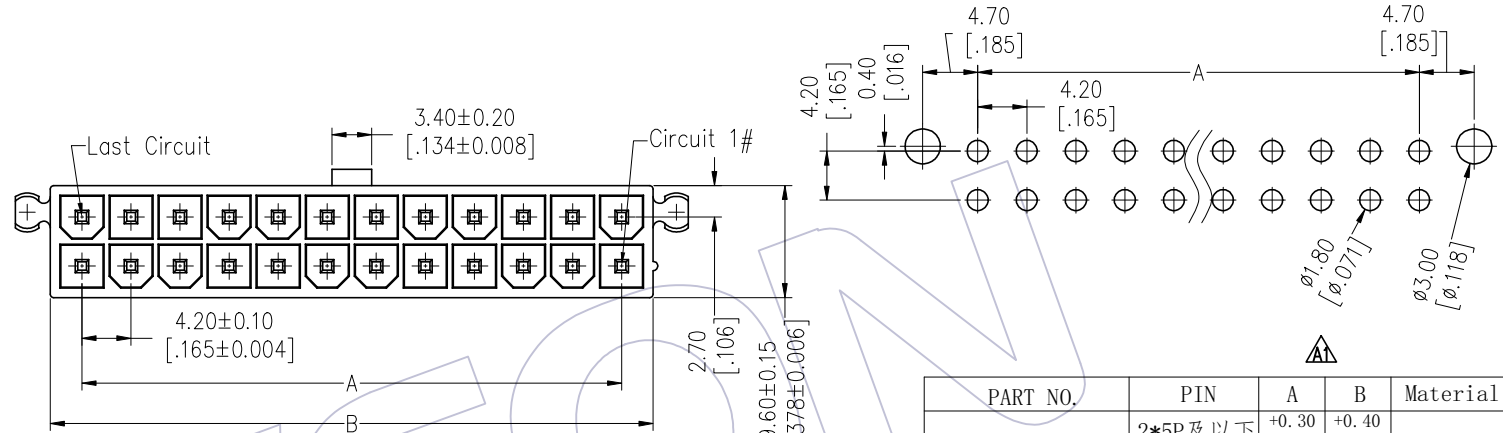


NOTES:  
 Rated Current: 9.0AMP  
 Contact Resistance: 30mΩ max  
 Withstand Voltage: 1500V AC/minute  
 Insulation Resistance: 1000MΩ min  
 Operation Temperature: -25℃ to +85℃

Contact Material: Brass  
 Contact plating: Au Or Sn Over Ni  
 Insulator Material: PA66(White Transparent UL94-V2 std)Or PA46(Natutal UL94-V0)

Recommended P.C.B Layout(Top Side)  
 (PCB BOARD TOLERANCE±0.05)

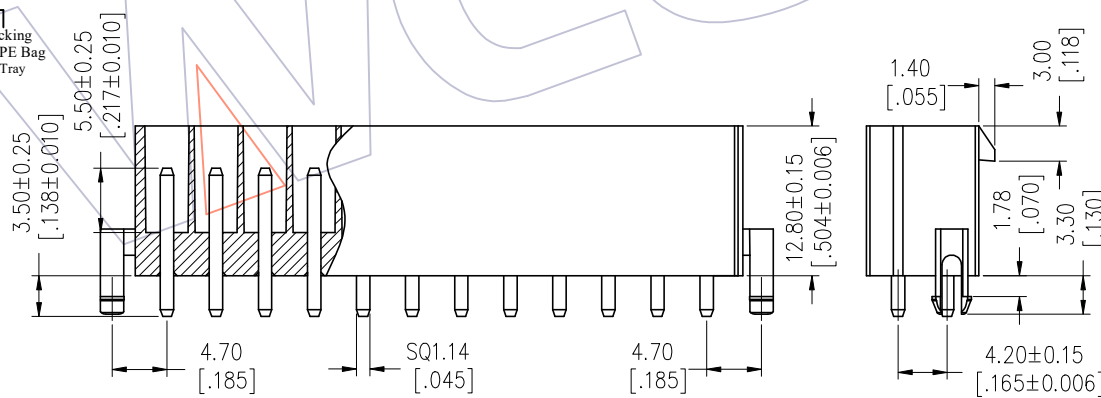


PART NO.	PIN	A	B	Material
WF4202-2WSHXXX2	2*5P及以下	+0.30 -0.10	+0.40 -0.20	PA46
	2*5P以上	+0.50 -0.00	+0.60 -0.00	
WF4202-2WSXXX2	2*1P-2*12P	±0.20	±0.30	PA66

## Ordering Information

WF4202 -2WS XX W A 2

No. of Row Dual Row  
 No. of pins 01-12P  
 Contact Plating  
 S0=Gold Flash/Tin  
 S3=10u"Gold/Tin  
 S4=15u"Gold/Tin  
 S5=30u"Gold/Tin  
 G0=Gold Flash  
 G3=10u"Gold  
 G4=15u"Gold  
 G5=30u"Gold  
 Blank=Tin  
 Insulation Material  
 H=PA46  
 Blank=PA66  
 Color  
 B=Black  
 T=Natural  
 W=Transparent  
 Packing  
 0=PE Bag  
 A=Tray



### Specification & Ordering Information:

Circuit	Part No.	Dimension		Pcs /Tray
		A	B	
2x01	WF4202-2WS01WA2	---	5.40	230
2x02	WF4202-2WS02WA2	4.20	9.60	170
2x03	WF4202-2WS03WA2	8.40	13.80	130
2x04	WF4202-2WS04WA2	12.60	18.00	110
2x05	WF4202-2WS05WA2	16.80	22.20	90
2x06	WF4202-2WS06WA2	21.00	26.40	80
2x07	WF4202-2WS07WA2	25.20	30.60	70
2x08	WF4202-2WS08WA2	29.40	34.80	60
2x09	WF4202-2WS09WA2	33.60	39.00	50
2x10	WF4202-2WS10WA2	37.80	43.20	50
2x11	WF4202-2WS11WA2	42.00	47.40	50
2x12	WF4202-2WS12WA2	46.20	51.60	40

REV	DATE	MODIFICATION DESCRIPTION	CHANGE	OPERATION	DRAW	DATE	SCALE	FIT	PART NO.	 <a href="http://www.wcon.com">Http: www.wcon.com</a> WCON-Dongguan Tel: +86 769 85358920 Fax: +86 769 85358915 E-mail: sales@wcon.com WCON-Kunshan Tel: +86 512 57468408 Fax: +86 512 57468468 E-mail: salesks@wcon.com
A2	2023/03/06	Modify Color	DuYing	X.X ±0.40	DuYing	2023/03/06	UNIT	mm	SEE TAB	
A1	2019/05/15	Modify	Ding	X.XX ±0.25	CHECK	DATE	SIZE	A4	TITLE: 4.20 MINI FIT DUAL ROW 180° WITH POST	
A0	2012/09/19	NEW	---	X.XXX ±0.15	APPROVE	DATE	SHEET	1/2	Customer NO.	
				Angle ± 3°			PROJ.			
				DIM TOL						