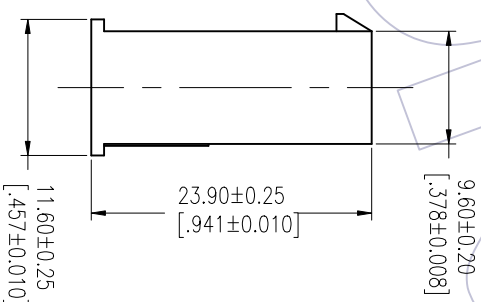
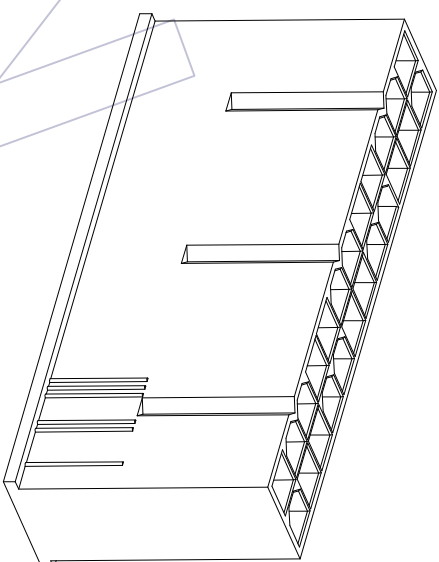
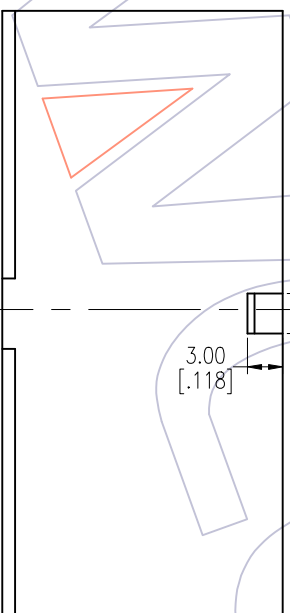
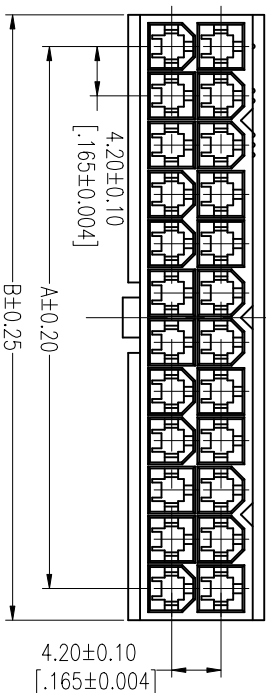


# HSF

NOTES:  
 Rated Current: 9.0A  
 Contact Resistance: 20mΩ max  
 Withstand Voltage: 1500V AC/Minute  
 Insulation Resistance: 1000MΩ min  
 Operation Temperature: -25°C to +85°C  
 Insulator Material: PA66  
 Used with: WF4202-MT (Male Terminal)



## Ordering Information

WF4202-2HK XX W 0 2

No. of Pins per Color Packing  
 01~12 W=White 0=PE Bag

### Dimensional & Ordering Information

Circuit	Part No.	Dimension	
		A	B
2x01	WF4202-2HK01W02	---	5.40
2x02	WF4202-2HK02W02	4.20	9.60
2x03	WF4202-2HK03W02	8.40	13.80
2x04	WF4202-2HK04W02	12.60	18.00
2x05	WF4202-2HK05W02	16.80	22.20
2x06	WF4202-2HK06W02	21.00	26.40
2x07	WF4202-2HK07W02	25.20	30.60
2x08	WF4202-2HK08W02	29.40	34.80
2x09	WF4202-2HK09W02	33.60	39.00
2x10	WF4202-2HK10W02	37.80	43.20
2x11	WF4202-2HK11W02	42.00	47.40
2x12	WF4202-2HK12W02	46.20	51.60

OPERATION	X.X	±0.40	DRAW	JYHuang	DATE	2012/09/17	SCALE	UNIT	mm	FIT	1/2
CHECK	X.XX	±0.25	CHECK		DATE		SIZE	A4			
Angle	X.XXX	±0.15	APPROVE		DATE		SHEET	1/2			
± 3'			PROJ.								

PART NO. SEE TAB

TITLE:

4.20mm Mini Fit Housing  
 Dual Row Female

Customer NO.

# WCON

Http: www.wcon.com

WCON-Dongguan

WCON-Kunshan

Tel: +86 769 85358920  
 Fax: +86 769 85358915  
 E-mail: sales@wcon.com

Tel: +86 512 57468408  
 Fax: +86 512 57468468  
 E-mail: sales@wcon.com

REV	DATE	MODIFICATION DESCRIPTION	CHANGE
AO	2012/09/17	NEW	