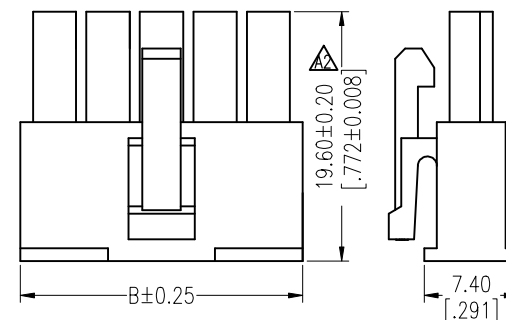
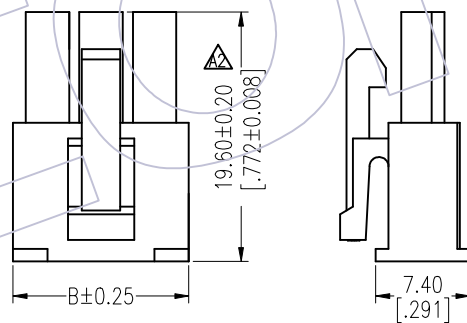
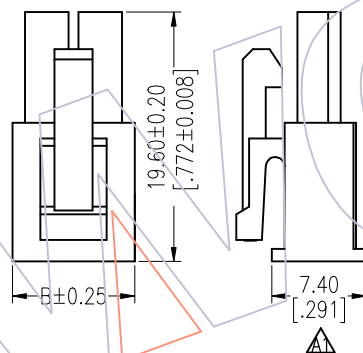
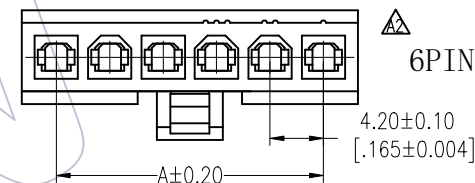
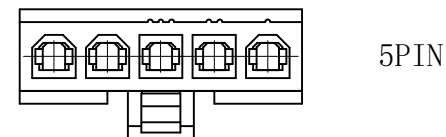
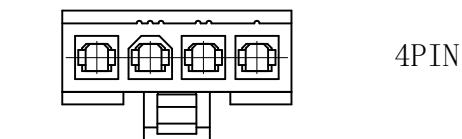
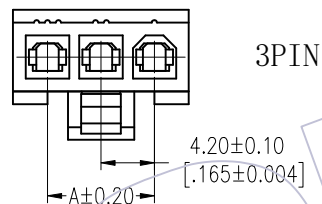
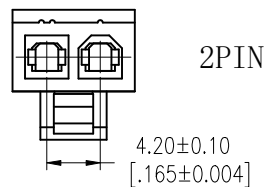


HSF

NOTES:
 Rated Current:9.0AMP
 Contact Resistance:20mΩ max
 Withstand Voltage:1500V AC/DC
 Insulation Resistance:1000MΩ min
 Operation Temperature:-25℃ to +85℃
 Insulator Material:PA66 UL94V-2
 Use with:WF4202-T (Female Contact)



Ordering Information

WF4202- 1 H XX W 0 1

No. of pins Color Packing
 02P~05P W=White 0=PE Bag

Specification & Ordering Information:

Circuit	Part No.	Dimension	
		A	B
02	WF4202-1H02W01	4.20	9.60
03	WF4202-1H03W01	8.40	13.80
04	WF4202-1H04W01	12.60	18.00
05	WF4202-1H05W01	16.80	22.20
06	WF4202-1H06W01	21.00	26.40

REV	DATE	MODIFICATION DESCRIPTION	CHANGE	OPERATION	DRAW	DATE	SCALE	FIT	PART NO.
A2	2021/12/24	Update Drawing	—	x.X ±0.40	LZH	2021/12/24	UNIT	mm inch	SEE TAB
A1	2015/06/24	Modify	—	x.XX ±0.25	CHECK	DATE	SIZE	A4	TITLE: 4.20mm Mini Fit Housing Single Row Male
AO	2012/09/17	NEW	—	x.XXX ±0.15	APPROVE	DATE	SHEET	1/1	Customer NO.
				Angle ± 3'			PROJ.	◆	
				DIM TOL					

WCON

Http: www.wcon.com

WCON-Dongguan WCON-Kunshan
 Tel: +86 769 85358920 Tel: +86 512 57468408
 Fax: +86 769 85358915 Fax: +86 512 57468468
 E-mail: sales@wcon.com E-mail: salesks@wcon.com