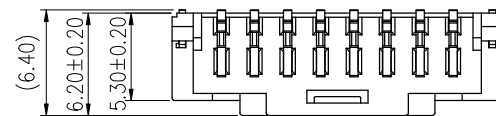
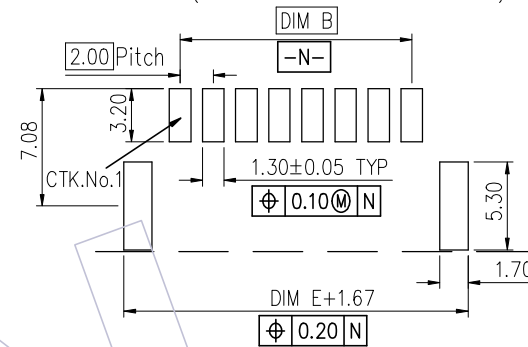


HSF

NOTES:
 Rated Current: 3.0A at 75°C
 Rated Voltage: 125V
 Contact Resistance: 20mΩ Max.
 Withstand Voltage: 500V
 Insulation Resistance: 1000MΩ Min.
 Operation Temperature: -40°C to +125°C
 Contact Material: Copper alloy
 Contact Plating: 80u" Matte Tin over 30u" nickel
 Latch Material: Copper alloy
 Latch Plating: 80u" Bright Tin over 30u" nickel
 Housing Material: PA9T, G.F, UL94V-0, Colour (See PN)



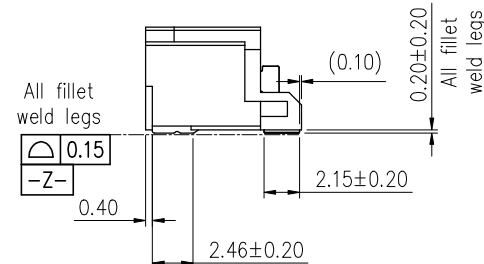
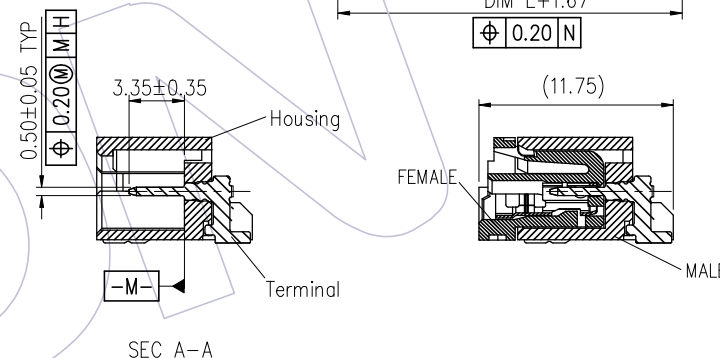
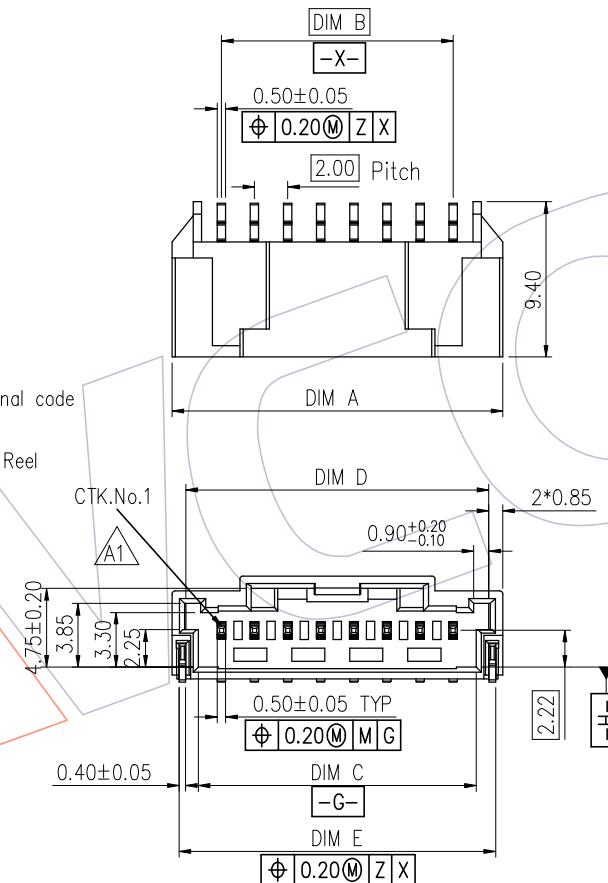
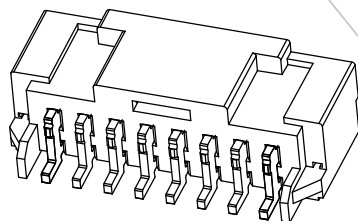
Recommended P.C.B Layout (Top Side)
 (PCB BOARD TOLERANCE ±0.05)



Ordering Information

WF2012 - 1 WZ H XX X X 1

Row 1=Single
 Type WZ=90° SMT
 HSG material characteristics H=High temperature resistance
 NO. of PIN 02=2 Pin
 15=15 Pin
 Packing R=Tape & Reel
 T=Tube
 HSG Colour R=Red
 B=Black
 T=Natural
 U=Blue
 WCON internal code
 CTK.No.1



REV	DATE	MODIFICATION DESCRIPTION	CHANGE	OPERATION	DRAW	DATE	SCALE	PART NO.
A1	2020/12/22	Add Structure	△1	DuYing	DuYing	2020/12/22	1:1	WF2012-1WZHXXXX1
A0	2019/02/20	NEW		Bruce	CHECK		A4 2	TITLE: 2.0mm WAFER SINGLE R/A SMT CONNECTOR
					APPROVE		1/2	Customer NO.
							PROJ.	

WCON

Http: www.wcon.com
 WCON-Dongguan Tel: +86 769 85358920
 WCON-Kunshan Tel: +86 512 57468408
 Fax: +86 769 85358915
 Fax: +86 512 57468468
 E-mail: sales@wcon.com
 E-mail: sales@wcon.com