

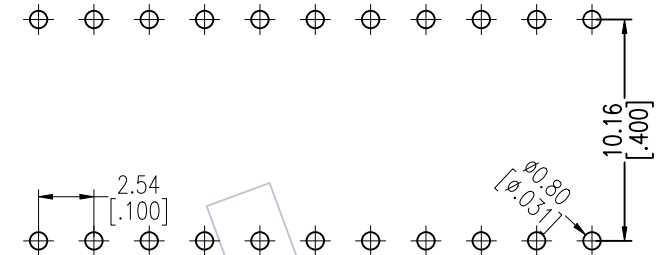
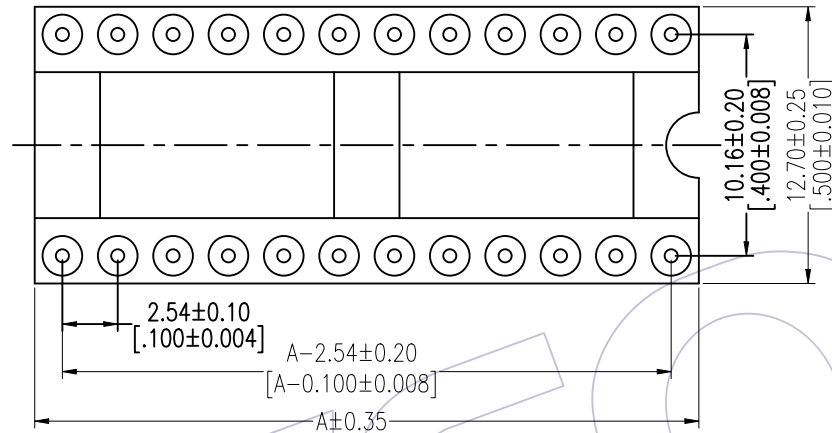
HSF

Recommended P.C.B Layout(Top Side)
(PCB BOARD TOLERANCE±0.05)

TECHNICAL SPECS:

Current Rating:1.0AMP
 Contact Resistance:10mΩ Max
 Dielectric Strength: Min 1000VRms
 Mechanical Life: Min 100 cycles
 Connecting Pin:∅0.64mm
 Operation Temperature:-40°C to+105%

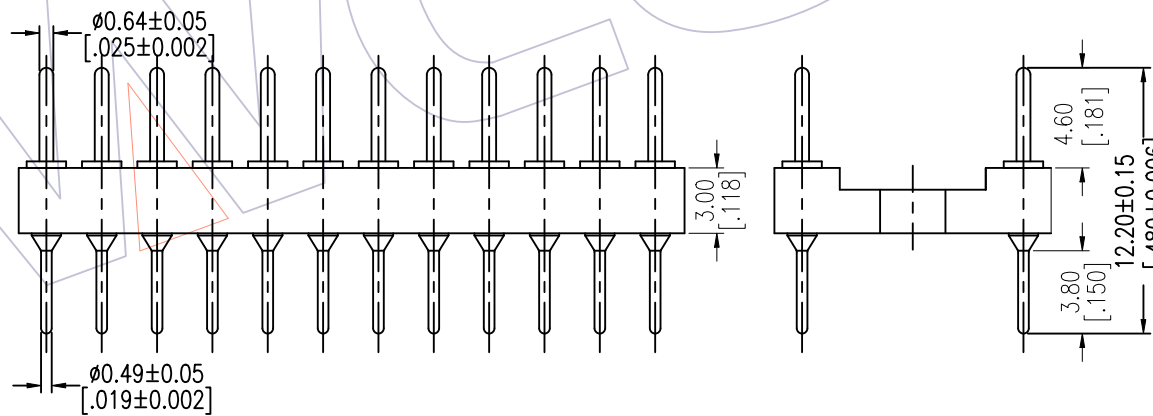
Contact:Brass CuZn36Pb3(C36000)
 Contact plating:Au or Sn over Ni
 Insulator Material:PPS+30%G.F(UL94V-0)



Ordering Information

3560-303 XX S XX 122 X 1

Row of Pitch 3=10.16mm
 No. of Pin See tab
 Contact Plating
 G0=Gold Flash
 G3=10u"Gold
 G4=15u"Gold
 G5=30u"Gold
 Packing
 T=Tube
 A=Tray



Dimensional & Ordering Information

| NO.of Poles | Part No. | Dim |
|-------------|--------------------|-------|
| | | A |
| 20 | 3560-30320SXX122X1 | 25.40 |
| 22 | 3560-30322SXX122X1 | 27.94 |
| 24 | 3560-30324SXX122X1 | 30.48 |
| 28 | 3560-30328SXX122X1 | 35.56 |
| 32 | 3560-30332SXX122X1 | 40.64 |

| REV | DATE | MODIFICATION DESCRIPTION | CHANGE | OPERATION | DRAW | DATE | SCALE | FIT | PART NO. |
|-----|------------|--------------------------|--------|-------------|---------|------------|-----------|-----|------------------------------------|
| A0 | 2012/11/05 | NEW | ----- | x.x ±0.40 | JYHuang | 2012/11/05 | UNIT mm | | SEE TAB |
| | | | | x.xx ±0.25 | CHECK | DATE | SIZE A4 | | TITLE: |
| | | | | x.xxx ±0.15 | APPROVE | DATE | SHEET 1/1 | | 2.54mm MACHINED ADAPTER CONNECTOR |
| | | | | Angle ± 3' | | | PROJ. | | 180° H=3.0 L=12.2 Row of Pitch 10. |
| | | | | DIM TOL | | | | | Customer NO. |

WCON

Http: www.wcon.com

WCON-Dongguan
 Tel: +86 769 85358920
 Fax: +86 769 85358915
 E-mail: sales@wcon.com

WCON-Kunshan
 Tel: +86 512 57468408
 Fax: +86 512 57468468
 E-mail: salesks@wcon.com