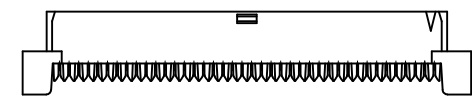
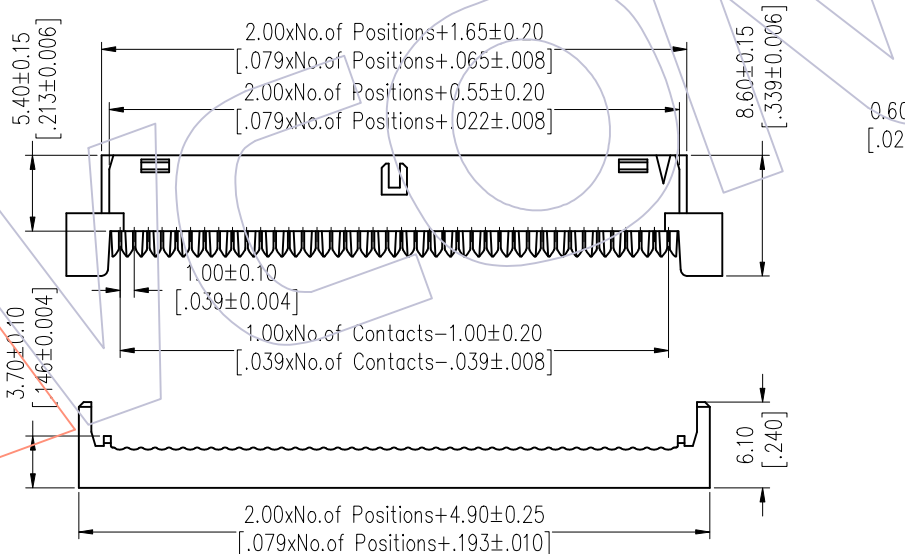
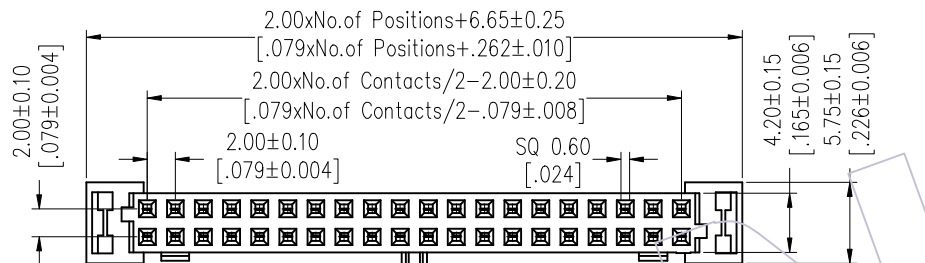


HSF

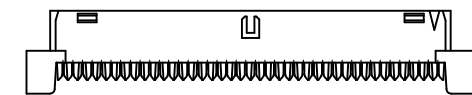
NOTES:

Rated Current: 1.0AMP
 Contact Resistance: 30mΩ max
 Withstand Voltage: 500V AC/DC
 Insulation Resistance: 1000MΩ min
 Operation Temperature: -40°C to +105°C

Contact Material: Phosphor Bronze
 Contact Plating: Au Over Ni
 Insulator Material: PBT+30%G.F UL94V-0



SINGLE RAMP LOCKING ONLY
 (APPLICABLE FOR 6 TO 12 CKT)



POLARIZATION AND RAMP LOCKING
 (APPLICABLE FOR 14 TO 50 CKT)

Ordering Information

5226 - XX YP XX B W 01

- Two Parts Conn+Cover
- No. of Pins 6P-50P
- Contact Plating
 G0=Gold Flash
 G3=10u"Gold
 G4=15u"Gold
 G5=30u"Gold
 S0=Gold Flash/Ni
 S3=10u"Gold/Ni
 S4=15u"Gold/Ni
 S5=30u"Gold/Ni
- Color Insulator
 B=Black
 G=Grey(427C)

A3	2022/05/25	Modify TITLE	Du Ying	OPERATION	DRAW	DATE	SCALE	FIT	PART NO.
A2	2018/05/29	MODIFY	Ding	x.X ±0.40	Du Ying	2022/05/25	UNIT	mm	5226-XXYPXXBW01
A1	2012/07/28	MODIFY	---	x.XX ±0.25	CHECK	DATE	SIZE	A4	TITLE:
A0	2010/09/28	NEW	---	x.XXX ±0.15	APPROVE	DATE	SHEET	1/2	2.00mm IDC SOCKET "M" TYPE (WITH RAMP LOCKING)
REV	DATE	MODIFICATION DESCRIPTION	CHANGE	Angle ± 3°	DIM	TOL	PROJ.	Customer NO.	

WCON

Http: www.wcon.com

WCON-Dongguan Tel: +86 769 85358920
 WCON-Kunshan Tel: +86 512 57468408
 Fax: +86 769 85358915
 Fax: +86 512 57468468
 E-mail: sales@wcon.com
 E-mail: salesks@wcon.com