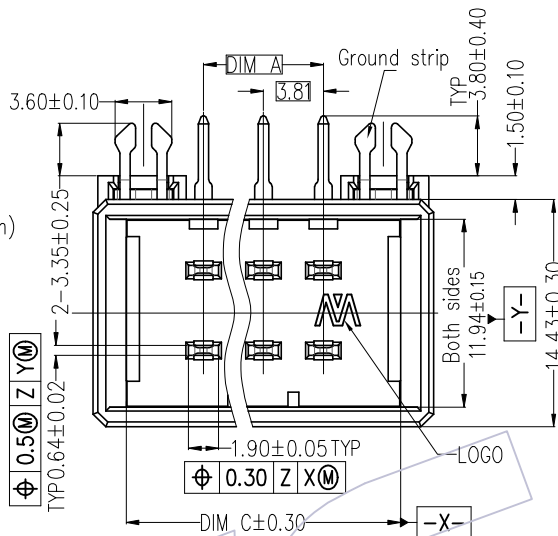


HSF

NOTES:

- Material:
Housing: LCP, G.F, UL94V-0, BK
Contact/strip: Copper Alloy
- Contact Plating:
xxu"Gold on contact area (See Ordering Information)
100u"Matte tin on solder area,
50u" Nickel underplating overall.
- Ground strip: 100u"Matte tin over 50u" Nickel.
- Rated Current: 12.0A Max
- Contact Resistance: 10mΩ max
- Withstand Voltage: 1500V AC
- Insulation Resistance: 1000MΩ min
- Operation Temperature: -55°C to +105°C
- Soldering: Solder temperature: 260±5°C
Solder time: 5±1S



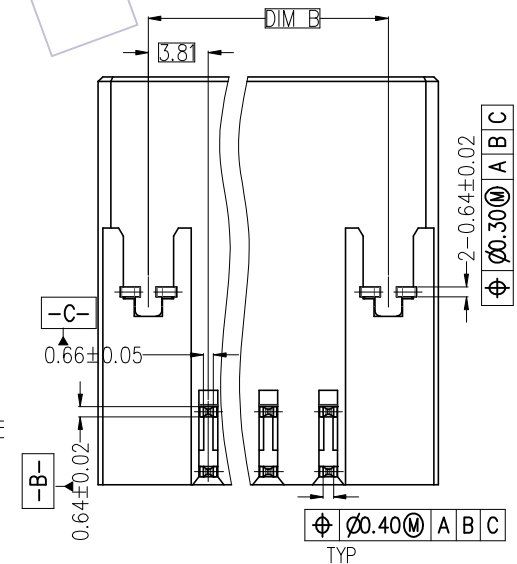
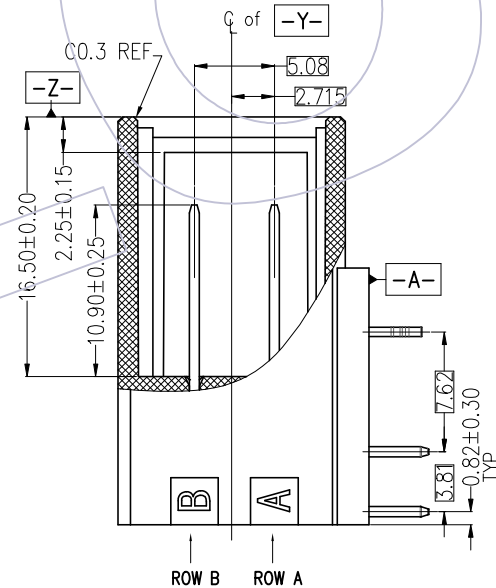
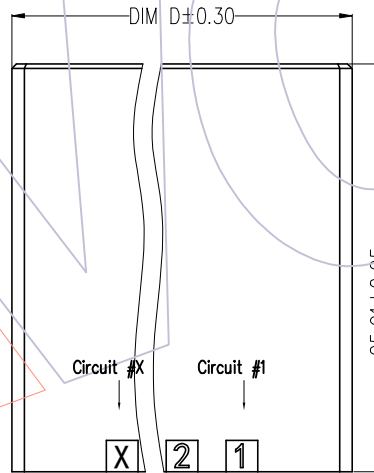
Pin	A	B	C	D
2*3	7.62	15.24	17.43	21.62
2*4	11.43	19.05	21.24	25.43
2*5	15.24	22.86	25.05	29.24
2*6	19.05	26.67	28.86	33.05
2*8	26.67	34.29	36.48	40.67
2*10	34.29	41.91	44.10	48.29
2*12	41.91	49.53	51.72	55.91

Ordering Information

WD3810-2 WR XX XX B A 10 W

2=Dual Row
WR=90°DIP
No. of pins per row:
03=3P 04=4P
05=5P 06=6P
08=8P 10=10P
12=12P
Contact Plated:
SM=Matte Tin
W1=3u"Gold/Matte Tin
W4=15u"Gold/Matte Tin
W5=30u"Gold/Matte Tin

W=W/T W Logo
Blank=W/O W Logo
A=Tray
Housing Color
B=Black



REV	DATE	MODIFICATION DESCRIPTION	CHANGE	OPERATION		DRAW	DATE	SCALE	FIT	PART NO.
				x.x	±0.40					
				x.xx	±0.25	CHECK	DATE	UNIT	mm	TITLE:
				x.xxx	±0.15	APPROVE	DATE	SIZE	A4	3.81*5.08mm Dyn. (T Type)
A0	2021/06/15	NEW	XSR	Angle	± 3'			SHEET	1/2	Customer NO.
				DIM	TOL			PROJ.	Φ	

WCON

Http: www.wcon.com

WCON-Dongguan Tel: +86 769 85358920 Fax: +86 769 85358915 E-mail: sales@wcon.com	WCON-Kunshan Tel: +86 512 57468408 Fax: +86 512 57468468 E-mail: salesks@wcon.com
---	--