

NOTES:

1.Material:

Housing:LCP,G.F,UL94V-0,BK

Contact/strip:Copper Alloy

2.Contact Plating:

xxu"Gold on contact area(See Ordering Information)

100u"Matte tin on solder area,

50u" Nickel underplating overall.

3.Ground strip:100u"Matte tin over 50u" Nickel.

4.Rated Current:12.0A Max

5.Contact Resistance:10mΩ max

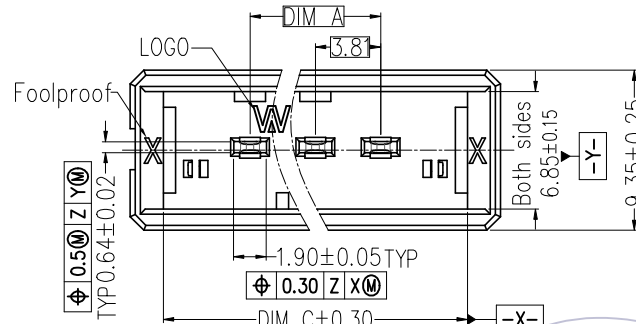
6.Withstand Voltage:1500V AC

7.Insulation Resistance:1000MΩ min

8.Operation Temperature:-55°C to +105°C

9.Soldering:Solder temperature:260±5°C

Solder time:5±1S



Pin	A	B	C	D
3	7.62	13.97	17.72	21.62
4	11.43	17.78	21.53	25.43
5	15.24	21.59	25.34	29.24
6	19.05	25.40	29.15	33.05
8	26.67	33.02	36.77	40.67
10	34.29	40.64	44.39	48.29

Ordering Information

WD3810-1 WS XX XX B T XX W

1=Single Row

WS=180°DIP

No.of pins per row:

03=3P 04=4P

05=5P 06=6P

08=8P 10=10P

Contact Plated:

SM=Matte Tin

W1=3u"Gold/Matte Tin

W4=15u"Gold/Matte Tin

W5=30u"Gold/Matte Tin

W=W/T W Logo

Blank=W/O W Logo

Foolproof

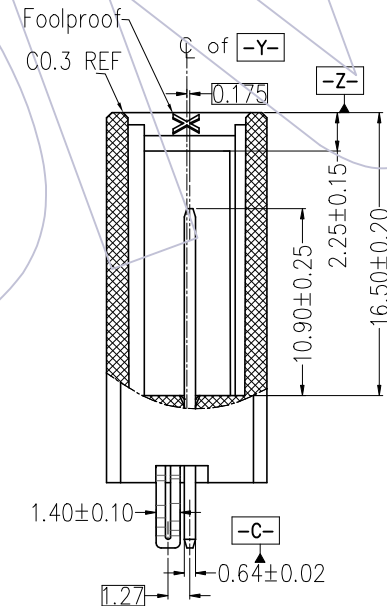
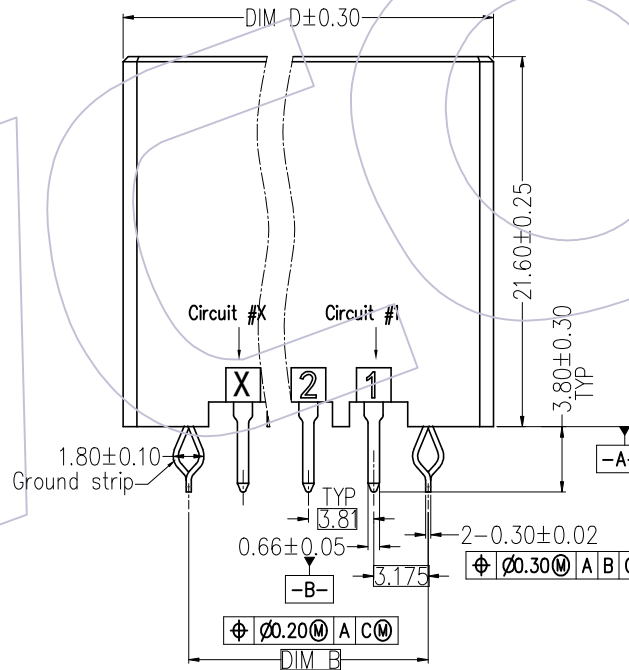
01=X Code

02=Y Code

T=Tube

Housing Color

B=Black



OPERATION	DRAW	DATE	SCALE	FIT	PART NO. WD3810-1WSXXXBTXX(W)
x.x ±0.40	XSR	2021/06/11	UNIT	mm	
x.xx ±0.25	CHECK	DATE	SIZE	A4	TITLE: 3.81mm Dyn. (T Type)Single Row 180°DIP with Ground strip
x.xxx ±0.15	APPROVE	DATE	SHEET	1/3	Customer NO.
Angle ± 3°			PROJ.	Φ	
DIM TOL					

WCON

Http: www.wcon.com

WCON-Dongguan Tel: +86 769 85358920 Fax: +86 769 85358915 E-mail: sales@wcon.com	WCON-Kunshan Tel: +86 512 57468408 Fax: +86 512 57468468 E-mail: salesks@wcon.com
---	--

REV	DATE	MODIFICATION DESCRIPTION	CHANGE
A0	2021/06/11	NEW	XSR