

NOTES:

1.Material:

Housing: LCP,G.F,UL94V-0,BK

Contact/strip: Copper Alloy

2.Contact Plating:

xxu"Gold on contact area(See Ordering Information)

100u"Matte tin on solder area,

50u" Nickel underplating overall.

3.Ground strip:100u"Matte tin over 50u" Nickel.

4.Rated Current:12.0A Max

5.Contact Resistance:10mΩ max

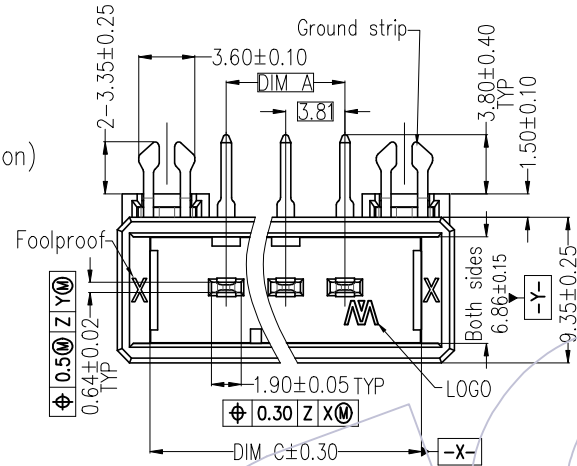
6.Withstand Voltage:1500V AC

7.Insulation Resistance:1000MΩ min

8.Operation Temperature:-55°C to +105°C

9.Soldering: Solder temperature:260±5°C

Solder time:5±1S



Pin	A	B	C	D
3	7.62	15.24	17.43	21.62
4	11.43	19.05	21.24	25.43
5	15.24	22.86	25.05	29.24
6	19.05	26.67	28.86	33.05
8	26.67	34.29	36.48	40.67
10	34.29	41.91	44.10	48.29

## Ordering Information

WD3810-1 WR XX XX B T XX W

1=Single Row

WR=90°DIP

No.of pins per row:

03=3P 04=4P

05=5P 06=6P

08=8P 10=10P

Contact Plated:

SM=Matte Tin

W1=3u"Gold/Matte Tin

W4=15u"Gold/Matte Tin

W5=30u"Gold/Matte Tin

W=W/T W Logo

Blank=W/O W Logo

Foolproof

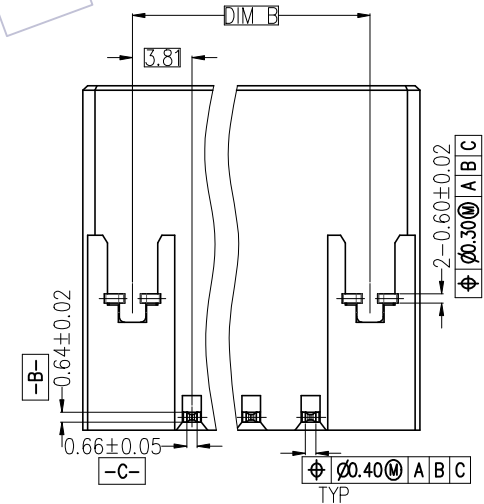
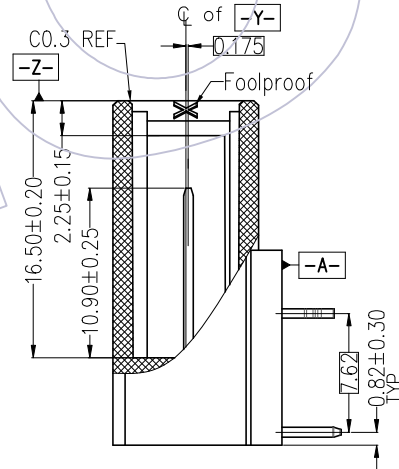
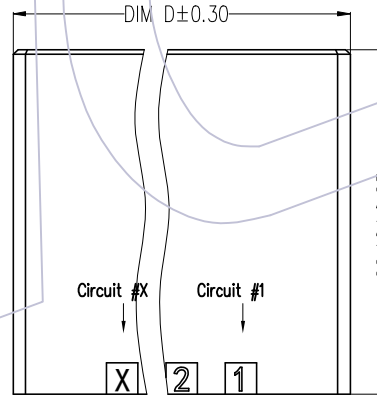
01=X Code

02=Y Code

T=Tube

Housing Color

B=Black



REV	DATE	MODIFICATION DESCRIPTION	CHANGE	OPERATION		DRAW XSR	DATE 2021/06/11	SCALE	FIT	PART NO. WD3810-1WRXXXXBTXX(W)
				x.x	±0.40					
				x.xx	±0.25	CHECK	DATE	UNIT	mm	TITLE:
				x.xxx	±0.15	APPROVE	DATE	SIZE	A4	3.81mm Dyn. (T Type)Single Row 90°DIP with Ground strip
A0	2021/06/11	NEW	XSR	Angle	± 3'			SHEET	1/3	Customer NO.
				DIM	TOL			PROJ.	Ø	

# WCON

Http: www.wcon.com

WCON-Dongguan Tel: +86 769 85358920 Fax: +86 769 85358915 E-mail: sales@wcon.com	WCON-Kunshan Tel: +86 512 57468408 Fax: +86 512 57468468 E-mail: salesks@wcon.com
---	--