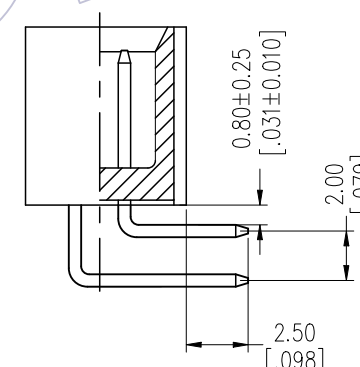
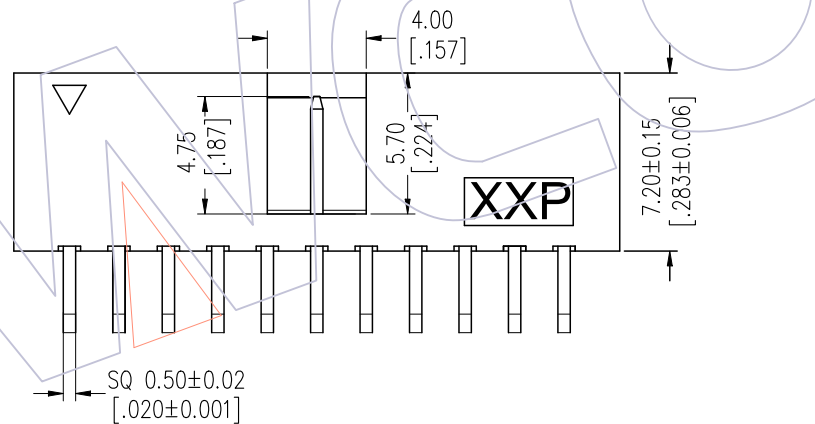
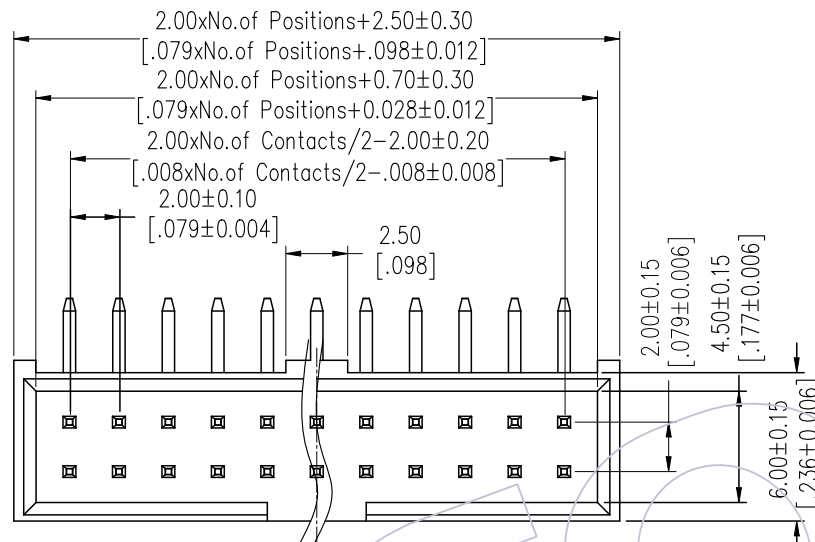
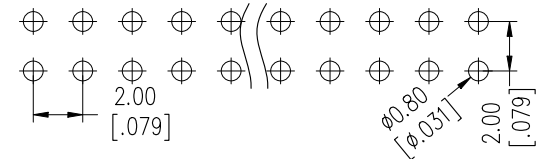


HSF

NOTES:
 Current Rating: 3.0AMP
 Contact Resistance: 20mΩ Max
 Withstand Voltage: 1000V AC/DC
 Insulation Resistance: 1000MΩ Min
 Operation Temperature: -40°C to +105°C

Contact Material: Brass
 Contact plating: Au Or Sn over Ni
 Insulator Material: PA9T G.F UL94V-0

Recommended P.C.B Layout (Top Side)
 (PCB BOARD TOLERANCE ±0.05)



Ordering Information

3123-XX R XX B K00 X X

No. of Pins	Contact Plating	Color Insulator	Packing	Series No
10 30	G0=Gold Flash	B=Black	T=Tube	
14 34	G3=10u"Gold			
16 40	G4=15u"Gold			
20 44	G5=30u"Gold			
24 50	S0=Gold Flash/Tin			
26 60	S3=10u"Gold/Tin			
	S4=15u"Gold/Tin			
	S5=30u"Gold/Tin			
	SN=Tin			

Item	Pitch	Mating	DIM(A)	DIM(C)
Standard	2.00	2263	4.00	
Alternate				

OPERATION	DRAW	DATE	SCALE	FIT	PART NO.
x.x ±0.40	DuYing	2023/04/12	UNIT mm		3123-XXRXXBK00XX
x.xx ±0.25	CHECK	DATE	SIZE A4		TITLE: 2.00mm BOX HEADER R/A TYPE H=7.2
x.xxx ±0.15	APPROVE	DATE	SHEET 1/1		Customer NO.
Angle ± 3°			PROJ.		
DIM TOL					

WCON
 Http: www.wcon.com
 WCON-Dongguan Tel: +86 769 85358920
 WCON-Kunshan Tel: +86 512 57468408
 Fax: +86 769 85358915
 Fax: +86 512 57468468
 E-mail: sales@wcon.com
 E-mail: salesks@wcon.com