

HSF

NOTES:

Current Rating: 2.0AMP
 Contact Resistance: 20mΩ max
 Withstand Voltage: 500V AC/DC
 Insulation Resistance: 1000MΩ min
 Operation Temperature: -40°C to +105°C

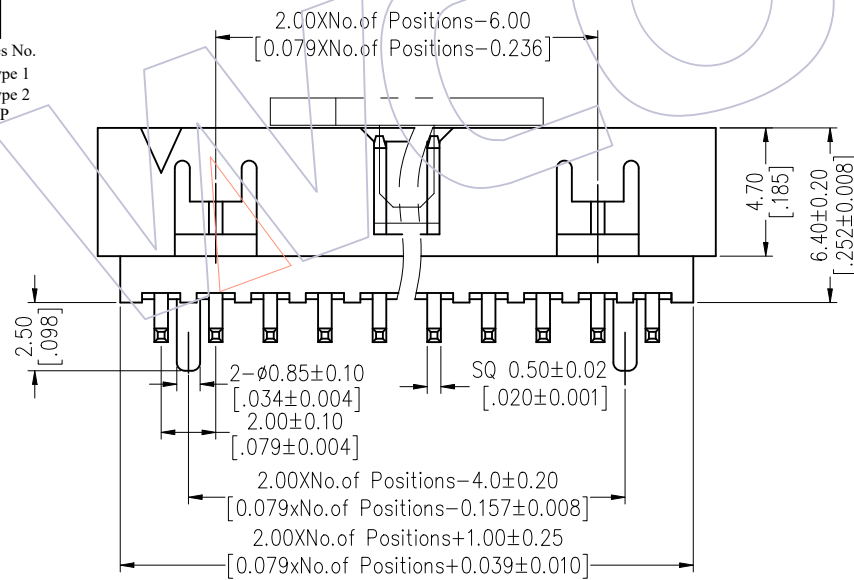
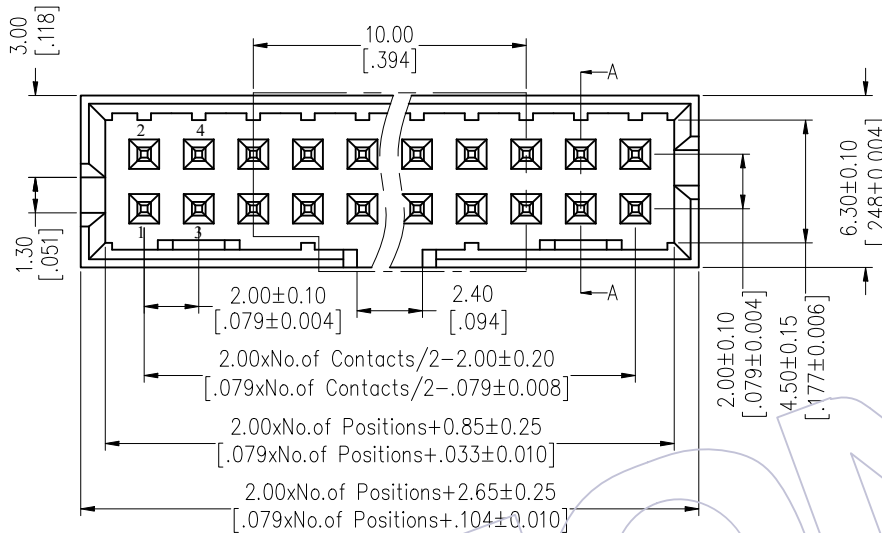
Contact Material: Brass
 Contact plating: Au or Sn Over Ni
 Insulator Material: PA9T+33%GF(UL94V-0)
 CAP Material: LCP+30%G.F(UL94V-0)

Ordering Information

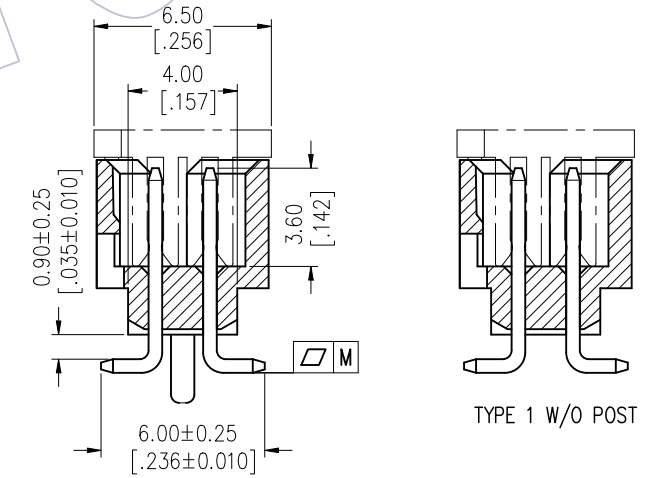
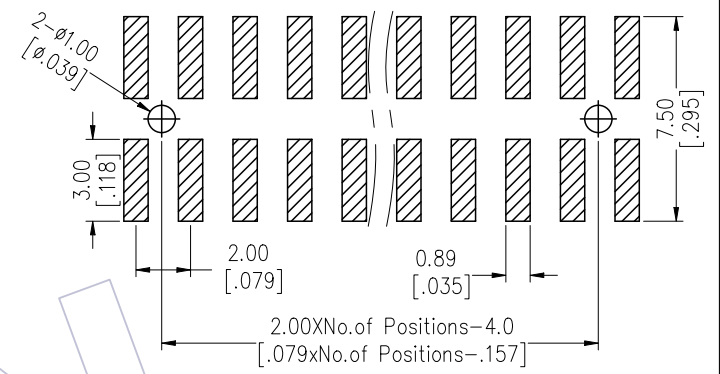
3121-XX M XX BK00 X X

No. of Pins	Contact Plating	Color Insulator	Packing	Series No.
14 30	G0=Gold Flash	B=Black	T=Tube	1=Type 1
16 34	G3=10u"Gold		P=Tube+CAP	2=Type 2
20 40	G4=15u"Gold		R=Tape&REEL+CAP	
24 44	G5=30u"Gold			
26 50	S0=Gold Flash/Tin			
	S3=10u"Gold/Tin			
	S4=15u"Gold/Tin			
	S5=30u"Gold/Tin			
	SN=Tin			

Item	Pitch	Mating
Standard	2.00	5223/5226
Alternate		



Recommended P.C.B Layout (Top Side) (PCB BOARD TOLERANCE ±0.05)



A2	PIN(PerRow)	14-20P	24-40P	44-50P
	M	0.10	0.12	0.15

REV	DATE	MODIFICATION DESCRIPTION	CHANGE	OPERATION	DRAW	DATE	SCALE	FIT	PART NO.
A2	2023/02/16	Add Flatness	△	DuYing	DuYing	2023/02/16	UNIT	mm	3121-XXMXXBK00XX
A1	2015/08/27	Modify	△	Allen	CHECK	DATE	inch	SIZE	
A0	2012/09/24	NEW	—		APPROVE	DATE	SHEET	1/1	2.00 BOX HEADER SMT H=6.4
							PROJ.	Customer NO.	



Http: www.wcon.com

WCON-Dongguan	WCON-Kunshan
Tel: +86 769 85358920	Tel: +86 512 57468408
Fax: +86 769 85358915	Fax: +86 512 57468468
E-mail: sales@wcon.com	E-mail: salesks@wcon.com