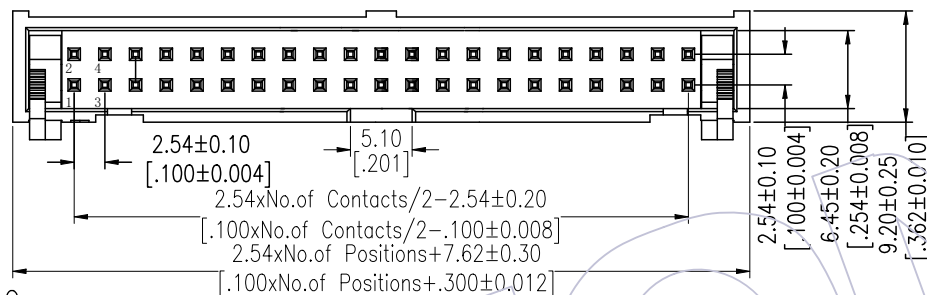
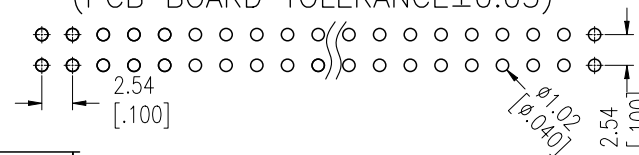


# HSF

NOTES:  
 Current Rating: 3.0AMP  
 Contact Resistance: 20mΩ Max  
 Withstand Voltage: 1000V AC/DC  
 Insulation Resistance: 1000MΩ Min  
 Operation Temperature: -40°C to +105°C

Contact Material: Brass  
 Contact plating: Au Or Sn over Ni  
 Latch Material: Zinc Alloy  
 Latch plating: Ni  
 Insulator Material: PBT or PA9T+30%G.F UL94V-0  
 Above 20 Poles With "E" Profile.

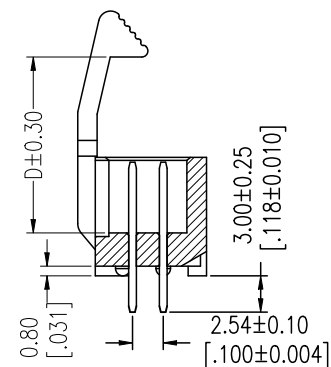
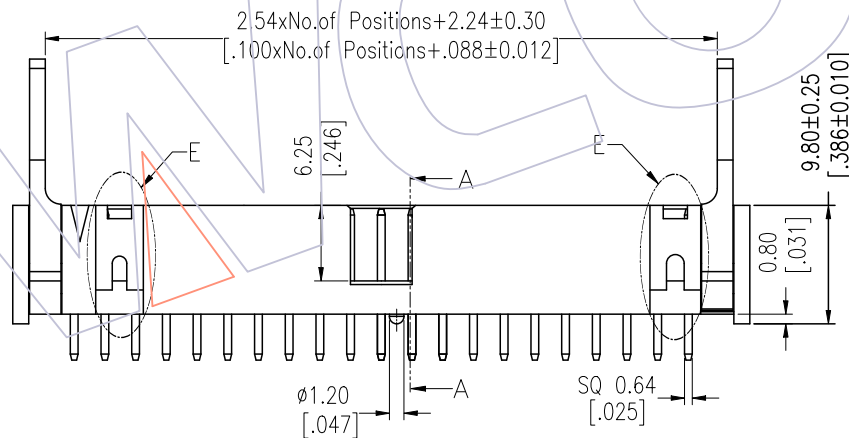
Recommended P.C.B Layout(Top Side)  
 (PCB BOARD TOLERANCE ±0.05)



## Ordering Information

3211 - XX S XX B X X 1

No. of Pins	Contact Plating	Insulator Color	Latch Type	Packing
06 26	G0=Gold Flash	B=Black	L=Long Latch	A=Tray
08 30	G3=10u"Gold	U=Blue	S=Short Latch	T=Tube
10 34	G4=15u"Gold	G=Grey(427C)		
14 40	G5=30u"Gold	E=Grey(413C)		
16 50	S0=Gold Flash/Tin			
20 60	S3=10u"Gold/Tin			
64	S4=15u"Gold/Tin			
	S5=30u"Gold/Tin			
	SN=Tin			



Section A-A

Item	Pitch	Mating
Standard	2.54	5212/5211
Alternate		

Dimension antitheses list	
PART NO	D
3211-XXSXXBLX1	14.55
3211-XXSXXBSX1	10.65

OPERATION	DRAW	DATE	SCALE	FIT	PART NO.
X.X ±0.40	JYHuang	2012/10/08	UNIT	mm	SEE TAB
X.XX ±0.25	CHECK	DATE	SIZE	A4	TITLE:
X.XXX ±0.15	APPROVE	DATE	SHEET	1/1	2.54 EJECTOR HEADER 180° METAL LATCH H=9.8
Angle ± 3'			PROJ.		Customer NO.
DIM TOL					

# WCON

Http: www.wcon.com

WCON-Dongguan  
 Tel: +86 769 85358920  
 Fax: +86 769 85358915  
 E-mail: sales@wcon.com

WCON-Kunshan  
 Tel: +86 512 57468408  
 Fax: +86 512 57468468  
 E-mail: salesks@wcon.com