


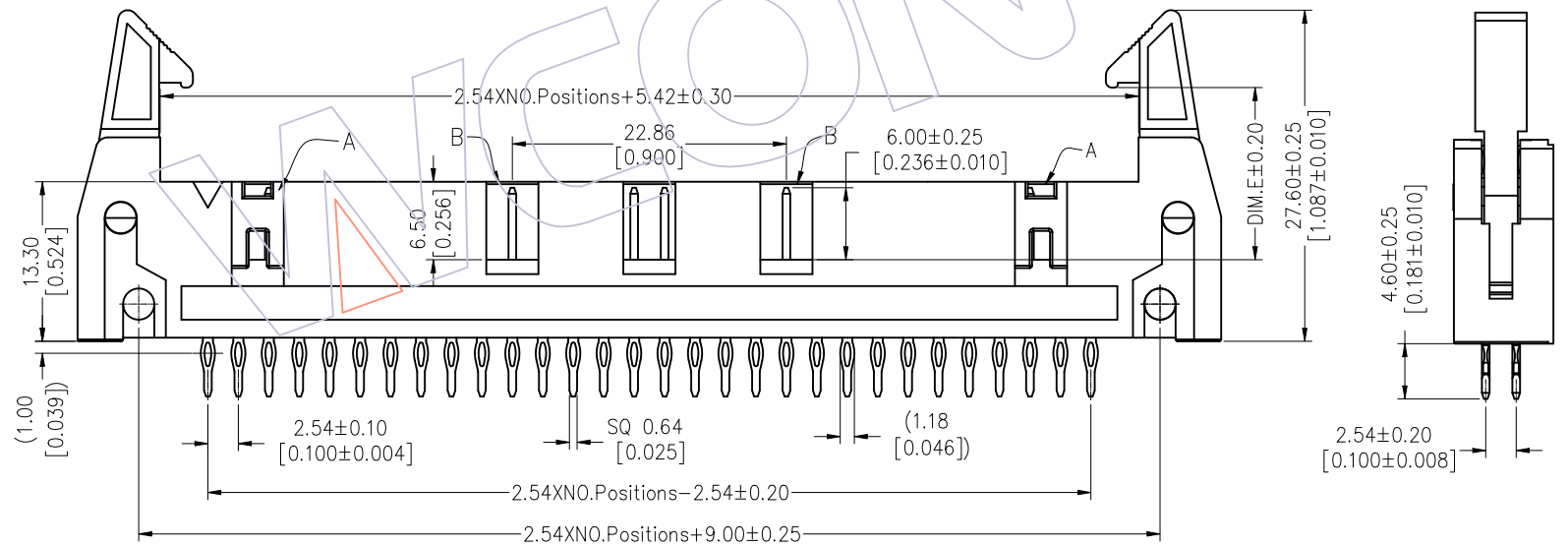
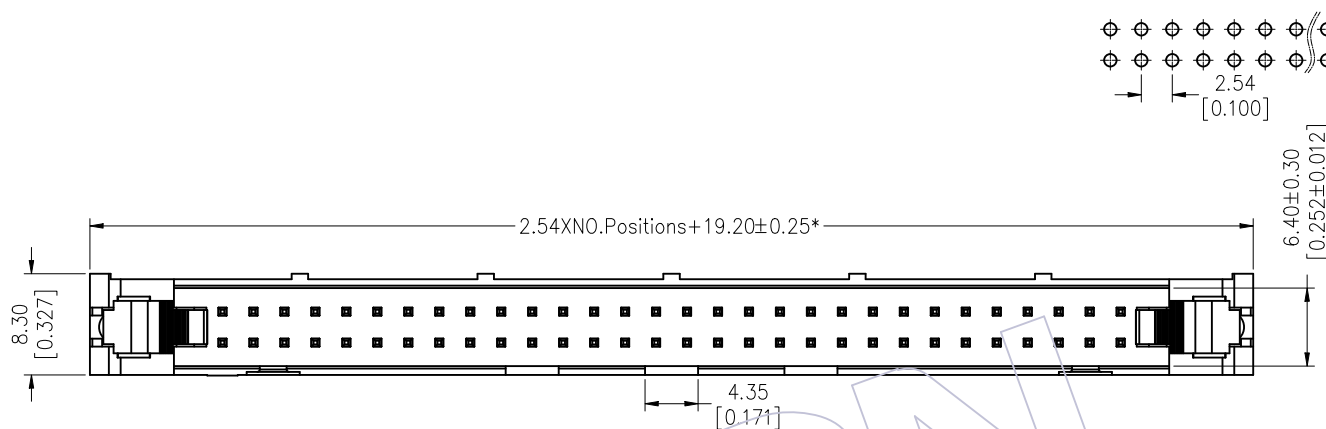
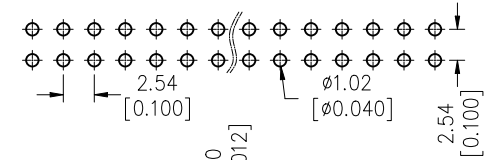
# HSF

NOTES:  
 Rated Current: 3.0AMP  
 Contact Resistance: 20mΩ max  
 Withstand Voltage: 500V AC/DC  
 Insulation Resistance: 1000MΩ min  
 Operation Temperature: -40℃ to +105℃

Housing Material: PBT+30%GF(UL94V-0)  
 Latch Material: PBT+30%GF(UL94V-0)  
 Contact Material: Brass  
 Contact plating: Au or Sn over Ni Plated

10P-18P Without Slot "A" and "B"  
 20P-58P With Slot "A", Without Slot "B",  
 60P-64P With Slot "A" and "B" 

Recommended P. C. B Layout (Top Side)  
 (PCB BOARD TOLERANCE ±0.05 T=1.6/2.0)

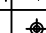



## Ordering Information

3210 - XX P XX B X X 1

No. of Pins	Contact Plating	Insulator Color	Latch Type	Packing
10 34	S0=Gold Flash/Tin	B=Black	L=Long Latch	T=Tube
14 40	S1=3u"Gold/Tin		S=Short Latch	A=Tray
16 50	S2=5u"Gold/Tin			
20 60	S3=10u"Gold/Tin			
26 64	S4=15u"Gold/Tin			
30	S5=30u"Gold/Tin			
	SN=Tin			

PART NO.	DIM.E
3210-XXPXXBLX1	14.35
3210-XXPXXBSX1	10.60

OPERATION	DRAW	DATE	SCALE	FIT	PART NO. 3210-XXPXXBXX1
X.X ±0.40	Allen	2014/05/26	UNIT mm		
X.XX ±0.25	CHECK	DATE	SIZE A4	TITLE: 2.54mm EJECTOR HEADER PRESS FIT DIP TYPE	
X.XXX ±0.15	APPROVE	DATE	SHEET 1/1	Customer NO.	
Angle ± 3°			PROJ. 		
DIM TOL					
REV	DATE	MODIFICATION DESCRIPTION	CHANGE		
A1	2014/05/26	Modify			
A0	2013/11/14	NEW	—		

**WCON**  
 Http: www.wcon.com

WCON-Dongguan      WCON-Kunshan  
 Tel: +86 769 85358920      Tel: +86 512 57468408  
 Fax: +86 769 85358915      Fax: +86 512 57468468  
 E-mail: sales@wcon.com      E-mail: salesks@wcon.com