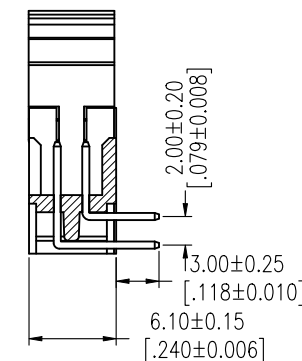
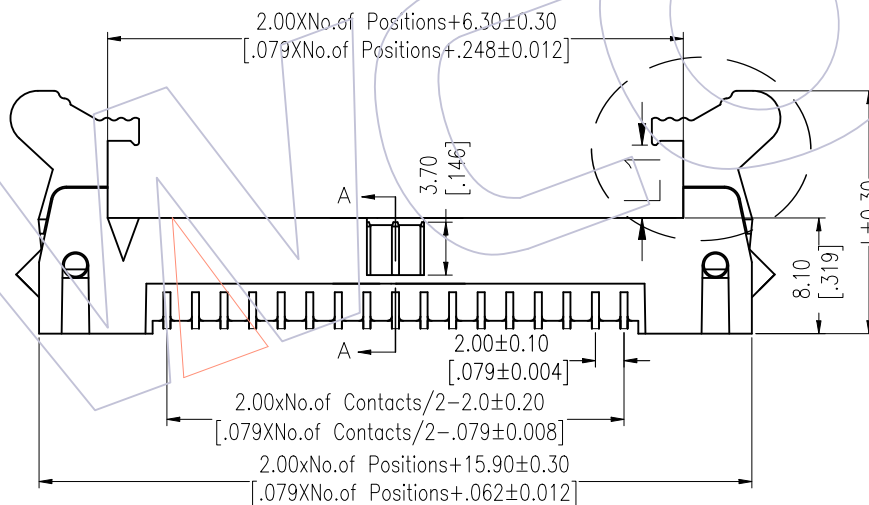
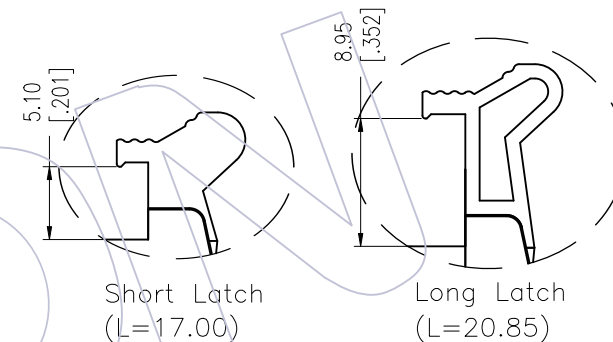
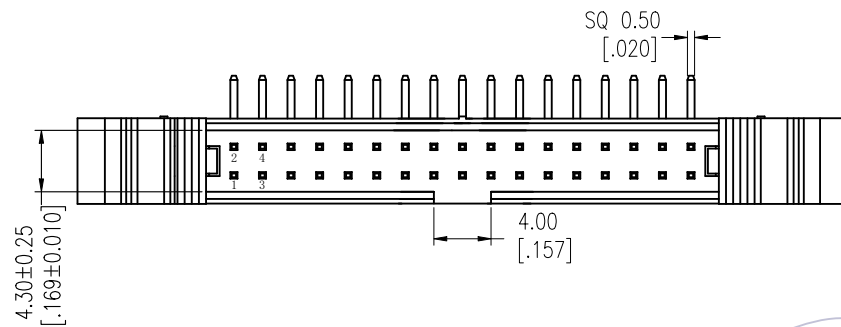
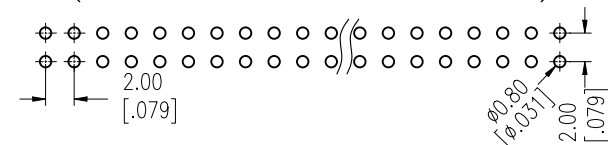


# HSF

NOTES:  
 Current Rating: 2.0AMP  
 Contact Resistance: 20mΩ Max  
 Withstand Voltage: 500V AC/DC  
 Insulation Resistance: 1000MΩ Min  
 Operation Temperature: -40°C to +105°C

Contact Material: Brass  
 Contact plating: Au Or Sn over Ni  
 Insulator Material: PA9T+30%G.F UL94V-0

Recommended P.C.B Layout(Top Side)  
 (PCB BOARD TOLERANCE ±0.05)



## Ordering Information

3220 - XX R XX B X X 1

No. of Pins	Contact Plating	Insulator Color	Latch type	Packing
08 30	G0=Gold Flash	B=Black	L=Long Latch	T=Tube
10 34	G3=10u"Gold	U=Blue	S=Short Latch	
14 40	G4=15u"Gold	G=Grey(427C)		
16 44	G5=30u"Gold	E=Grey(413C)		
20 50	S0=Gold Flash/Tin			
24 60	S3=10u"Gold/Tin			
26 64	S4=15u"Gold/Tin			
68	S5=30u"Gold/Tin			
	SN=Tin			

Item	Pitch	Mating
Standard	2.00	5222
Alternate		

OPERATION	DRAW	DATE	SCALE	FIT	PART NO.
x.x ±0.40	JYHuang	2012/10/06	UNIT	mm	3220-XXRXXBXX1
x.xx ±0.25	CHECK	DATE	SIZE	A4	TITLE: 2.00 EJECTOR HEADER 90°
x.xxx ±0.15	APPROVE	DATE	SHEET	1/1	Customer NO.
Angle ± 3°			PROJ.		
DIM TOL					

**WCON**  
 Http: www.wcon.com

WCON-Dongguan  
 Tel: +86 769 85358920  
 Fax: +86 769 85358915  
 E-mail: sales@wcon.com

WCON-Kunshan  
 Tel: +86 512 57468408  
 Fax: +86 512 57468468  
 E-mail: salesks@wcon.com