

NOTES:  
 Current Rating:8A  
 Voltage Rating:300V  
 Contact Resistance:8milliohm Max  
 Withstand Voltage:AC 1500V  
 Insulation Resistance:1000Megohm Min  
 Operation Temperature:-40°C to +105°C

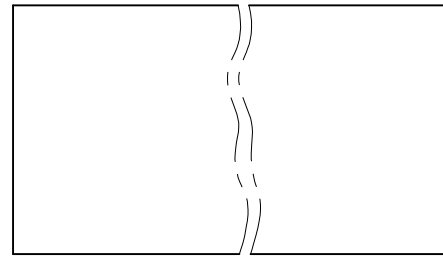
Housing Material:PA66+30%GF(UL94V-0)  $\Delta A3$   
 Contact Material:Brass

**Ordering Information:**

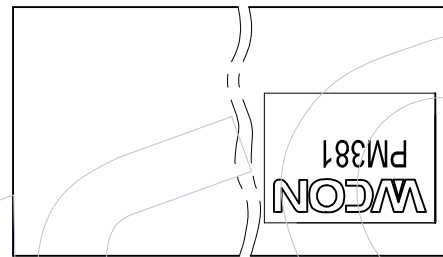
**P M 381 - 1 R XX A SM 1 N**  $\Delta A5$   
 M=Male Pitch 381=3.81 No.of Pins 02-20P Contact Plated SM=Matte Tin Blank=W/T WCON N=W/O WCON  
 Color A=Green Series No.

ITEM	Pitch	Mating
Standard	3.81	PF381
Alternate		

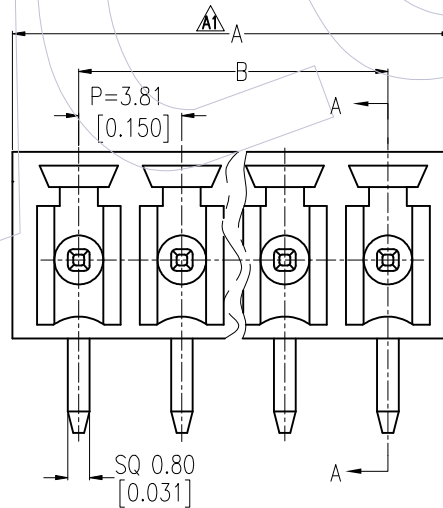
11P	43.30 ±0.20	38.10 ±0.20			
10P	39.49 ±0.20	34.29 ±0.20	20P	77.59 ±0.30	72.39 ±0.30
9P	35.68 ±0.20	30.48 ±0.20	19P	73.78 ±0.30	68.58 ±0.30
8P	31.87 ±0.15	26.67 ±0.15	18P	69.97 ±0.30	64.77 ±0.30
7P	28.06 ±0.15	22.86 ±0.15	17P	66.16 ±0.30	60.96 ±0.30
6P	24.25 ±0.15	19.05 ±0.15	16P	62.35 ±0.30	57.15 ±0.30
5P	20.44 ±0.15	15.24 ±0.15	15P	58.54 ±0.30	53.34 ±0.30
4P	16.63 ±0.15	11.43 ±0.15	14P	54.73 ±0.20	49.53 ±0.20
3P	12.82 ±0.15	7.62 ±0.15	13P	50.92 ±0.20	45.72 ±0.20
2P	9.01 ±0.15	3.81 ±0.10	12P	47.11 ±0.20	41.91 ±0.20
PINS	A	B	PINS	A	B



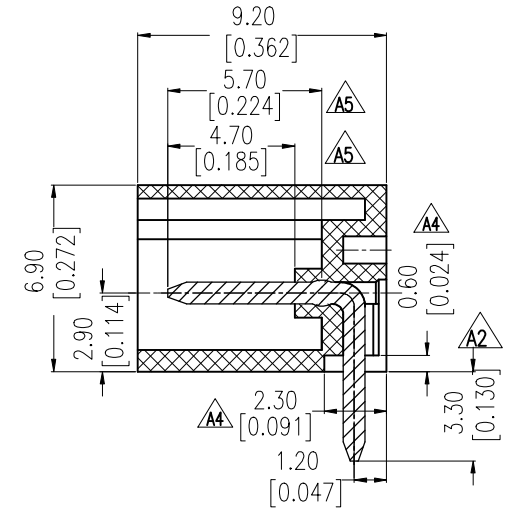
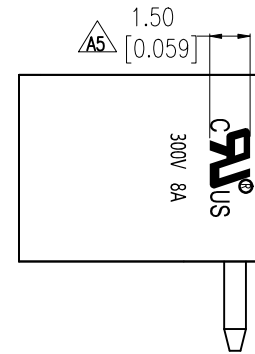
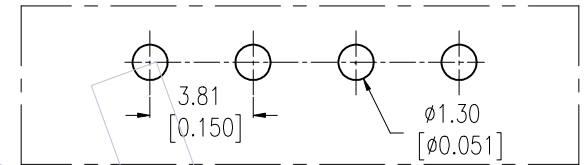
$\Delta A5$   
W/O WCON




W/T WCON



Recommended P. C. B Layout (Top Side)  
 (PCB BOARD TOLERANCE ±0.05)



SECTION A-A

A5	2020/11/18	Add UL Logo & DIM;Add W/O WCON SPEC&P/N $\Delta A5$	XSR	OPERATION	DRAW	DATE	SCALE	FIT	PART NO.	 <a href="http://www.wcon.com">Http: www.wcon.com</a> WCON-Dongguan Tel: +86 769 85358920 Fax: +86 769 85358915 E-mail: sales@wcon.com WCON-Kunshan Tel: +86 512 57468408 Fax: +86 512 57468468 E-mail: salesks@wcon.com
A4	2018/03/12	Modify $\Delta A4$	XSR	x.X ±0.40	XSR	2020/11/18	UNIT	mm	PM381-1RXXASM1(N) $\Delta A5$ TITLE: 3.81mm Pitch Male Pluggable Terminal Blocks	
A3	2013/06/05	Modify The Housing Material $\Delta A3$	XSR	x.XX ±0.25	CHECK	DATE	SIZE	A4		
A0	2012/05/15	NEW	---	x.XXX ±0.15	APPROVE	DATE	SHEET	1/1		
REV	DATE	MODIFICATION DESCRIPTION	CHANGE	Angle ± 3°			PROJ.		Customer NO.	
				DIM TOL						