

# HSF

## NOTES:

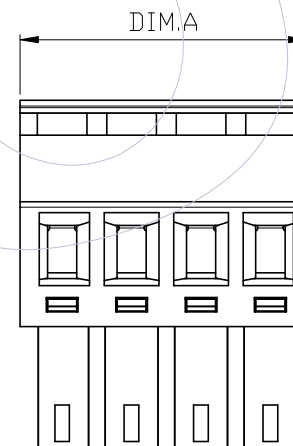
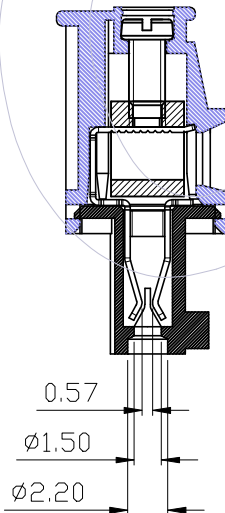
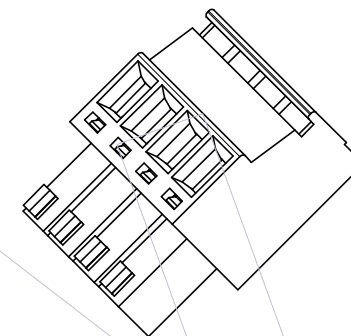
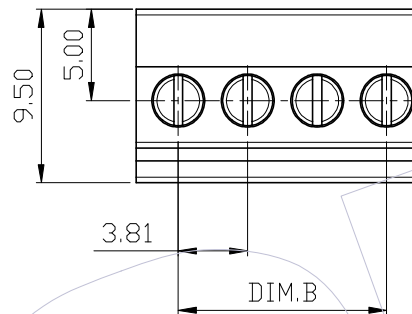
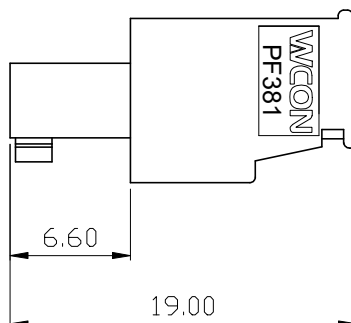
Current Rating: 8A  
 Voltage Rating: 300V  
 Contact Resistance: 20milliohm Max  
 Withstand Voltage: AC2500V  
 Insulation Resistance: 1000Megohm Min  
 Screw Torque: 3 lbf.in  
 Wire range: 16-30AWG  
 Operation Temperature: -40°C to +105°C

Housing Material: PA66 UL94V-0  
 Cover Material: PA66 UL94-V0  
 Screw: Steel  
 Pin Block: Brass  
 Contact: Phosphor Bronze


## Ordering Information:

**P F 381 - B XX A SM N 1**

F=Female    Pitch 381=3.81    No.of Pins 02-24P    Color A=Green    Contact Plated SM=Matte Tin    Type N=Without Two Side Screw



位数	DIM. A	DIM. B
24P	92.23±0.45	87.63±0.45
23P	88.42±0.45	83.82±0.45
22P	84.61±0.40	80.01±0.40
21P	80.80±0.40	76.20±0.40
20P	76.99±0.35	72.39±0.35
19P	73.18±0.35	68.58±0.35
18P	69.37±0.35	64.77±0.35
17P	65.56±0.35	60.96±0.35
16P	61.75±0.35	57.15±0.35
15P	57.94±0.35	53.34±0.35
14P	54.13±0.35	49.53±0.35
13P	50.32±0.35	45.72±0.35
12P	46.51±0.35	41.91±0.35
11P	42.70±0.35	38.10±0.35
10P	38.89±0.30	34.29±0.30
9P	35.08±0.30	30.48±0.30
8P	31.27±0.30	26.67±0.30
7P	27.46±0.30	22.86±0.30
6P	23.65±0.30	19.05±0.30
5P	19.84±0.30	15.24±0.30
4P	16.03±0.30	11.43±0.30
3P	12.22±0.30	7.62±0.30
2P	8.41±0.30	3.81±0.30

REV	DATE	MODIFICATION DESCRIPTION	CHANGE	OPERATION		DRAW Brace	DATE	SCALE	FIT	PART NO. PF381-BXXASMN1	 Http: www.wcon.com WCON-Dongguan    WCON-Kunshan Tel: +86 769 85358920    Tel: +86 512 57468408 Fax: +86 769 85358915    Fax: +86 512 57468468 E-mail: sales@wcon.com    E-mail: salesks@wcon.com	
				X.X	±0.40							
				X.XX	±0.25	CHECK		UNIT	mm	TITLE: 3.81mm Pitch Female Pluggable Terminal Blocks	Customer NO.	
				X.XXX	±0.15			SIZE	A4			
A0	2019/01/07	NEW		Angle	± 3'	APPROVE	DATE	SHEET	1/2			
				DIM	TOL			PROJ.				