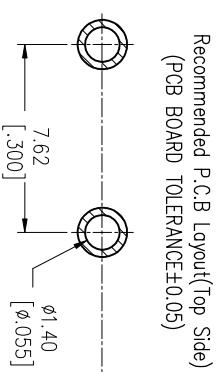
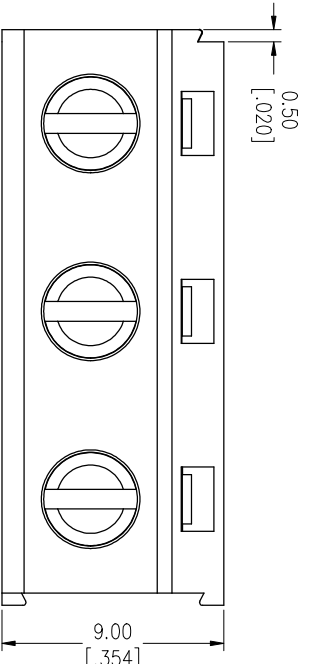
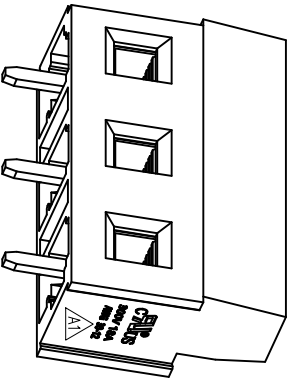
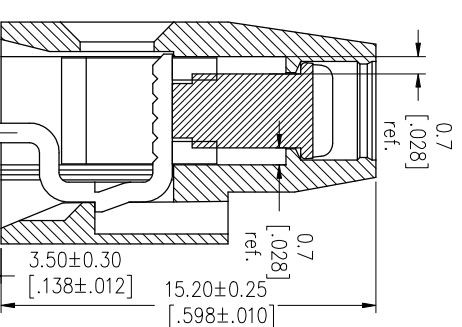
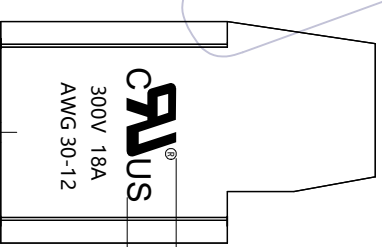
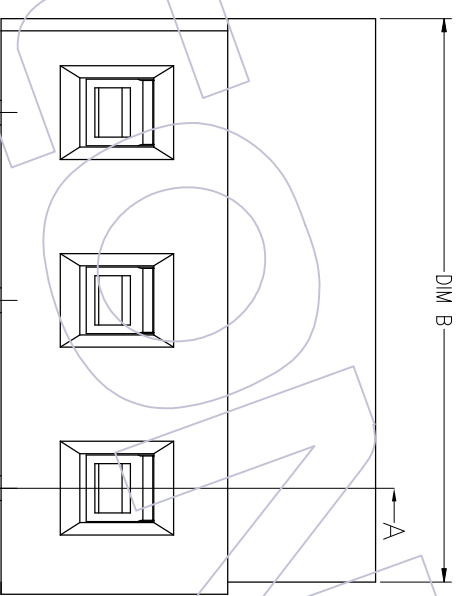
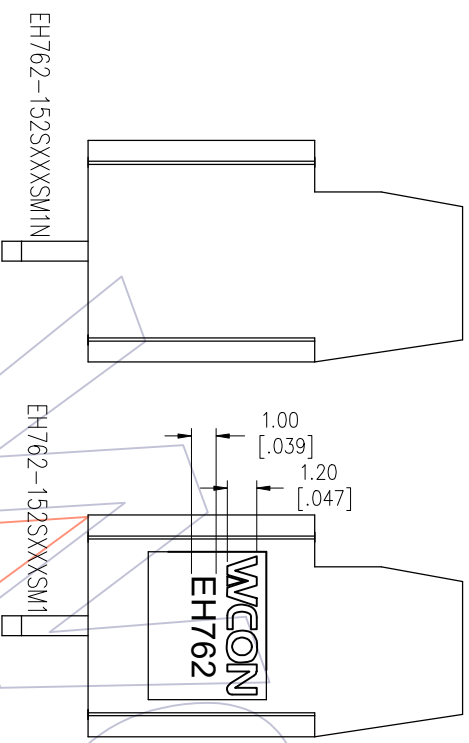


NOTES:
 Rated Current: 18 AMP
 Rated Voltage: 300 V
 Contact Resistance: 8 mΩ max
 Withstand Voltage: 2500 V AC/DC
 Insulation Resistance: 1000 MΩ min
 Operation Temperature: -40°C to +105°C
 Screw Torque: 0.50 N-m
 Wire Range: 30~12 AWG



Screw Material: Steel
 Pin Block Material: Brass
 Cite Feet Material: Brass
 Cite Feet Plating: Matte Tin Plated Over Nickel
 Insulator Material: PA66 UL94 V-0



Ordering Information:

E H 762 - 152 S XX X SM 1 N

Pitch: 762=7.62 152=15.20
 Housing High: 152=15.20
 No. of Pins: 02-03P
 Color: A=Green G=Grey U=Blue
 Contact Plated: SM=Matte Tin
 Blank=W/T WCON Logo
 N=W/O WCON Logo

3P	15.24	22.86
2P	7.62	15.24
PIN	DIM.A	DIM.B

REV	DATE	MODIFICATION DESCRIPTION	CHANGE	OPERATION	DRAW	DATE	SCALE	FIT	PART NO.
A2	2020/07/20	ADD W/T WCON LOGO SPEC P/N	XSR	X.X ±0.40	XSR	2020/07/20	mm inch	mm inch	EH762-152SXXXXSM1(N)
A1	2020/06/18	ADD UL LOGO	XSR	X.XX ±0.25	CHECK	DATE	SIZE A4	A4	7.62mm Pitch Euro Terminal Blocks
A0	2014/01/03	NEW		X.XXX ±0.15	APPROVE	DATE	SHEET 1/1	1/1	Customer NO.



WCON-Dongguan
 Tel: +86 769 85358920
 Fax: +86 769 85358915
 E-mail: sales@wcon.com

WCON-Kunshan
 Tel: +86 512 57468408
 Fax: +86 512 57468468
 E-mail: sales@wcon.com