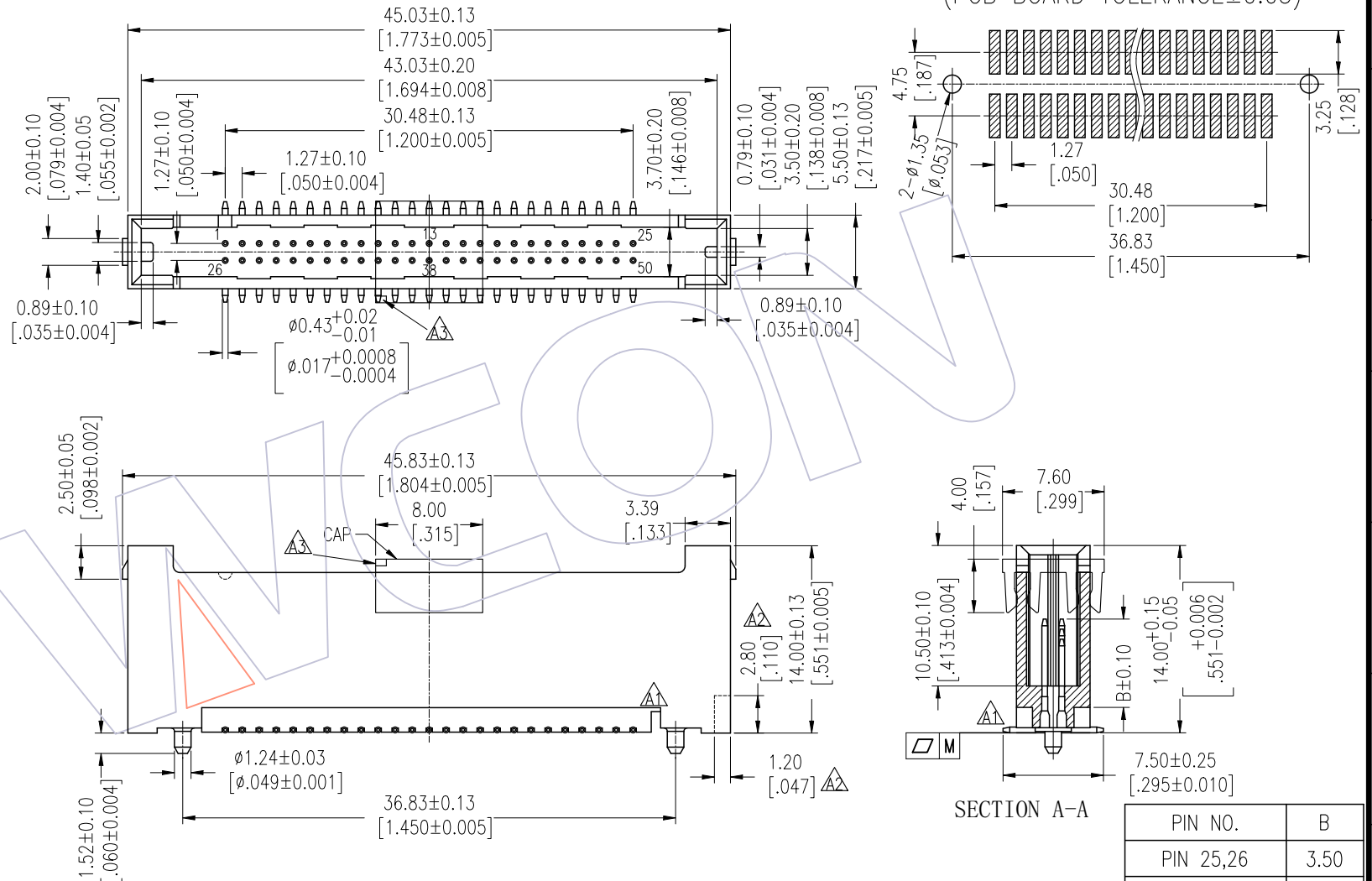


HSF

Recommended P.C.B Layout (Top Side)
(PCB BOARD TOLERANCE±0.05)

NOTES:
 Rated Current:1.0AMP
 Contact Resistance:20mΩ max
 Withstand Voltage:500V AC/DC
 Insulation Resistance:1000MΩ min
 Operation Temperature:-40℃ to +105℃

Contact Material:Brass
 Contact Plating:Au Over Ni
 Insulator Material:PA6T+30%G.F UL94V-0

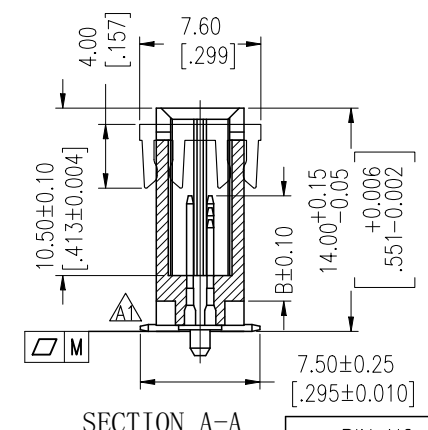


Ordering Information

3134-50 M XX B K00 X 2

- No.of Pins
- Contact Plating
 G0=Gold Flash
 G1=3u"Gold
 G2=5u"Gold
 G3=10u"Gold
 G4=15u"Gold
 G5=30u"Gold
 SN=Tin
- Packing
 A=Tray
 T=Tube
 P=Tube+CAP
 R=Tape&Reel+CAP

PIN(PerRow)	2-20P	22-40P	40-100P
	M	0.10	0.12



PIN NO.	B
PIN 25,26	3.50
PIN 1,13,38,50	5.00
ALL OTHER PINS	4.25

REV	DATE	MODIFICATION DESCRIPTION	CHANGE	OPERATION	DRAW	DATE	SCALE	FIT	PART NO.
A4	2023/02/16	Add Flatness	DuYing	OPERATION	DuYing	2023/02/16	UNIT	mm	3134-50MXXBK00X2
A3	2012/01/13	Modify CAP, Add Cut Part	Tang	±0.40	CHECK	DATE	SIZE	A4	TITLE:
A2	2011/07/20	Modify Drawing	---	±0.25	---	---	SHEET	1/1	1.27mm Box SMT With Post H=14.0 Round Pin
A0	2010/06/07	NEW	---	±0.15	APPROVE	DATE	PROJ.	Customer NO.	
				Angle ± 3'					
				DIM TOL					

WCON
 Http: www.wcon.com

WCON-Dongguan Tel: +86 769 85358920
 WCON-Kunshan Tel: +86 512 57468408

Fax: +86 769 85358915
 Fax: +86 512 57468468

E-mail: sales@wcon.com
 E-mail: wconks@wcon.com