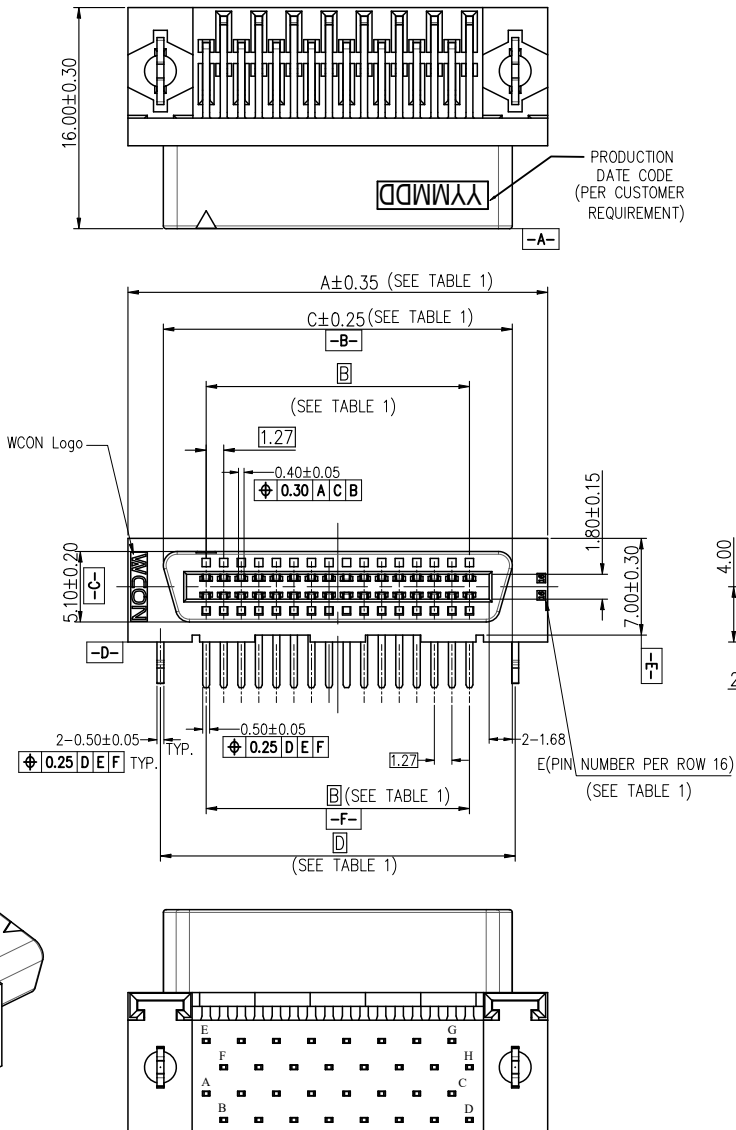
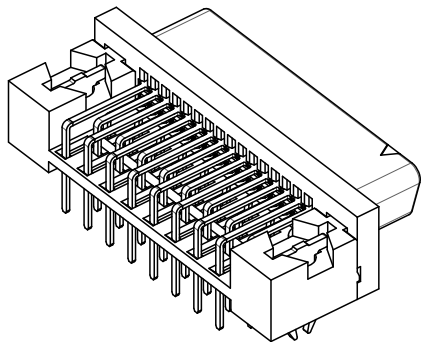


# HSF

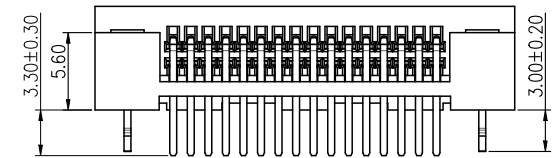
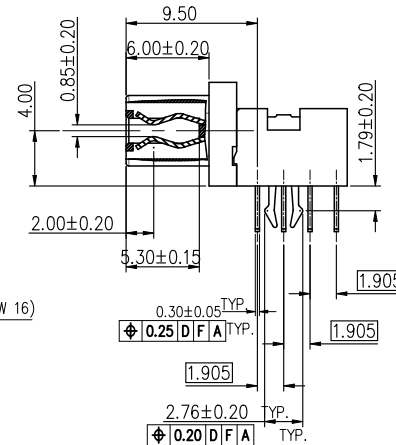
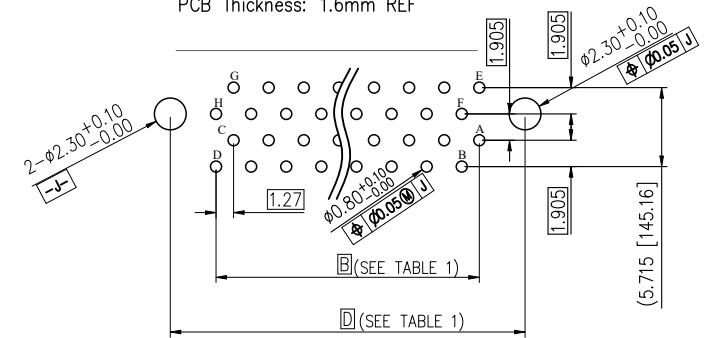
NOTES:  
 Current Rating: 0.5AMP  
 Voltage Rating: 125V  
 Contact Resistance: 45mΩ Max  
 Withstand Voltage: 500V AC/minute  
 Insulation Resistance: 1,000MΩ Min  
 Operation Temperature: -55°C to +105°C

Contact And Lock Material: Copper Alloy  
 Contact plating:  
 xxu" Gold On Contact Area,  
 (See Ordering Information)  
 100u" Matte Tin On Solder Area  
 50u" Nickel Underplating Overall  
 Insulator And Back Cover Material:  
 LCP,G.F,UL94V-0,Black

Recommended Process:  
 Wave Soldering, Peak Temperature:  
 260±5°C For 5+/-1s



Recommended P.C.B Layout (Top Side)  
 (PCB BOARD TOLERANCE ±0.05)  
 PCB Thickness: 1.6mm REF



PRODUCTION DATE CODE:  
 TEXT FONT: ARIAL

YY MM DD

THE LAST TWO  
 NUMBER OF YEAR MONTH DATE

TABLE 3:

Item	Pitch	Mating
Standard	1.27	6320H
Alternate		

REV	DATE	MODIFICATION DESCRIPTION	CHANGE	OPERATION		DRAW	DATE	SCALE	FIT	PART NO.
				X.X	±0.40					
				X.XX	±0.25	CHECK	DATE	SIZE	A4	TITLE:
A0	2021/04/27	NEW	Morris	X.XXX	±0.15	APPROVE	DATE	SHEET	1/4	1.27mm SCSI Connector, Female, R/A DIP Type, W/Lock
				Angle	± 3°			PROJ.	Customer NO.	
				DIM	TOL					

## WCON

Http: www.wcon.com

WCON-Dongguan WCON-Kunshan  
 Tel: +86 769 85358920 Tel: +86 512 57468408  
 Fax: +86 769 85358915 Fax: +86 512 57468468  
 E-mail: sales@wcon.com E-mail: salesks@wcon.com

HSF

# Ordering Information

6321H - XXX R DWX P W X 11

No. Of Pins:  
20~120Pin,  
More Detail  
Please See Table 1

Type Code:  
R=R/A

Contact Tail Shape:  
D=Through Hole

Internal Code:  
01= W/O LOGO  
11=W/T WCON LOGO&DC

Packaging Way:  
R=Tape & Reel,  
T=Tube,

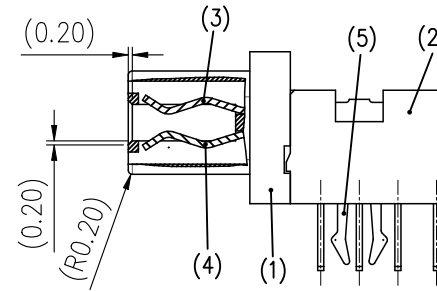
W:  
With Fork

P:  
All Plastic

Contact Plating  
W1=3u" Gold/Tin,  
W2=5u" Gold/Tin,  
W3=10u" Gold/Tin,  
W4=15u" Gold/Tin,  
W5=30u" Gold/Tin,


TABLE 1:

Pin No.	Part Number	Dim.A	Dim.B	Dim.C	Dim.D	E
20P	6321H-020RDXSPWX11	22.75±0.25	11.43	17.63±0.15	18.05	10
32P	6321H-032RDXSPWX11	30.37±0.25	19.05	25.25±0.15	25.67	16
40P	6321H-040RDXSPWX11	35.45±0.25	24.13	30.33±0.15	30.75	20
52P	6321H-052RDXSPWX11	43.07±0.30	31.75	37.95±0.20	38.37	26
60P	6321H-060RDXSPWX11	48.15±0.30	36.83	43.03±0.20	43.45	30
68P	6321H-068RDXSPWX11	53.23±0.30	41.91	48.11±0.20	48.53	34
80P	6321H-080RDXSPWX11	60.85±0.35	49.53	55.73±0.25	56.15	40
100P	6321H-100RDXSPWX11	73.55±0.35	62.23	68.43±0.25	68.85	50
120P	6321H-120RDXSPWX11	86.25±0.35	74.93	81.13±0.25	81.55	60

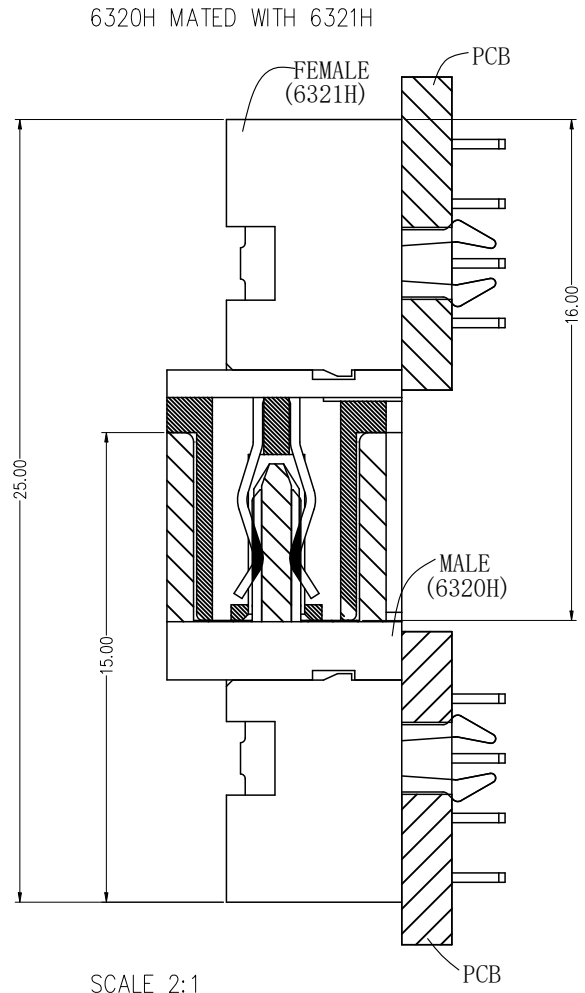


## BOM LIST

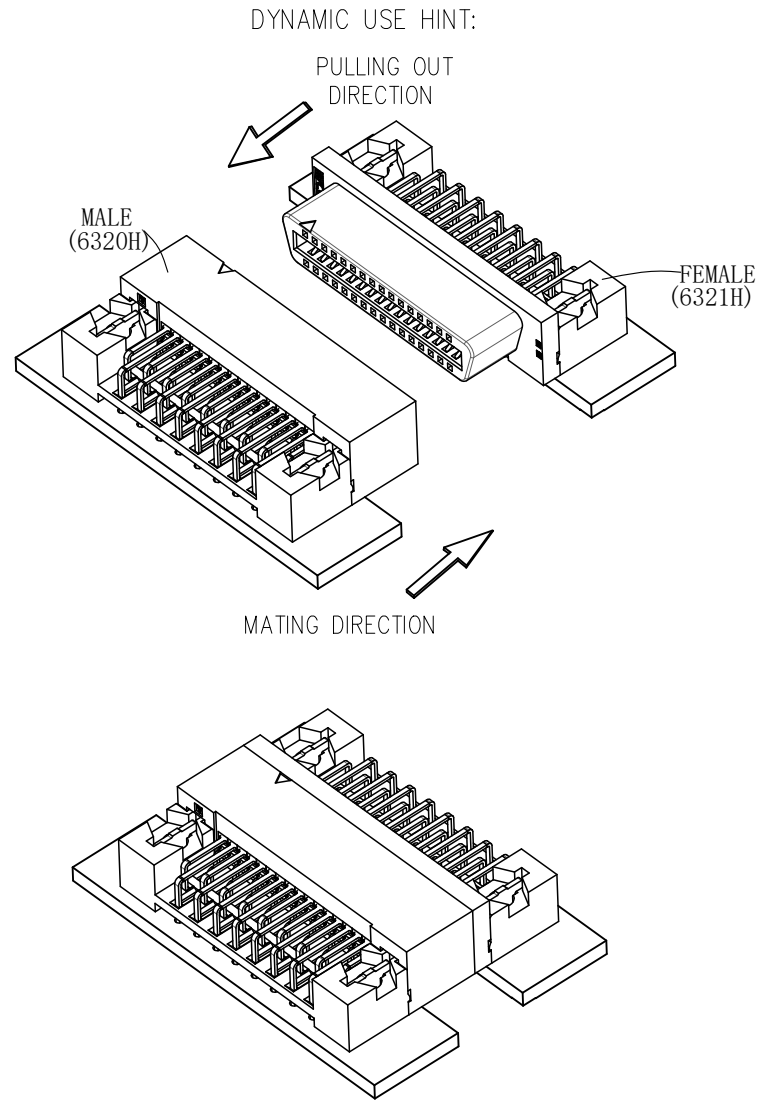
ITEM	NAME	P/N	COUNT	MATERIAL
(5)	Forklock	M6320D-PXX01	2	PB C5191R,T=0.50mm
(4)	TERMINAL-ML	T6321H-PTXX13	X	PB C5191R,T=0.30mm
(3)	TERMINAL-L	T6321H-PTXX23	X	
(2)	PLASTIC COVER	G6321H-XXBC02	1	LCP+30%GF UL94-V0
(1)	PLASTIC BODY	G6321H-XXXBPW02W	1	LCP+30%GF UL94-V0

REV	DATE	MODIFICATION DESCRIPTION	CHANGE	OPERATION	DRAW	DATE	SCALE	FIT	PART NO.	 <a href="http://www.wcon.com">Http: www.wcon.com</a> WCON-Dongguan Tel: +86 769 85358920 Fax: +86 769 85358915 E-mail: sales@wcon.com WCON-Kunshan Tel: +86 512 57468408 Fax: +86 512 57468468 E-mail: salesks@wcon.com
				x.x ±0.40	Morris	2021/04/27	UNIT	mm	6321H-XXXRDXSPWX11	
				x.xx ±0.25	CHECK	DATE	SIZE	A4	TITLE:	
				x.xxx ±0.15	APPROVE	DATE	SHEET	2/4	1.27mm SCSI Connector, Female, R/A DIP Type, W/Lock	
				Angle ± 3°			PROJ.	Customer NO.		
				DIM TOL						



HSF



SCALE 2:1



ASSEMBLY COMPLETION STATUS

				OPERATION	DRAW	DATE	SCALE	FIT	PART NO.	 <a href="http://www.wcon.com">Http: www.wcon.com</a> WCON-Dongguan      WCON-Kunshan Tel: +86 769 85358920      Tel: +86 512 57468408 Fax: +86 769 85358915      Fax: +86 512 57468468 E-mail: sales@wcon.com      E-mail: salesks@wcon.com
				x.x      ±0.40	Morris	2021/04/27	UNIT	mm inch	6321H-XXXRDXPWX11	
				x.xx      ±0.25	CHECK	DATE	SIZE	A4	TITLE: 1.27mm SCSI Connector, Female, R/A DIP Type, W/Lock	
				x.xxx      ±0.15	APPROVE	DATE	SHEET	3/4	Customer NO.	
A0	2021/04/27	NEW	Morris	Angle      ± 3'			PROJ.			
REV	DATE	MODIFICATION DESCRIPTION	CHANGE	DIM      TOL						

# HSF

6320H MATED WITH 6321H

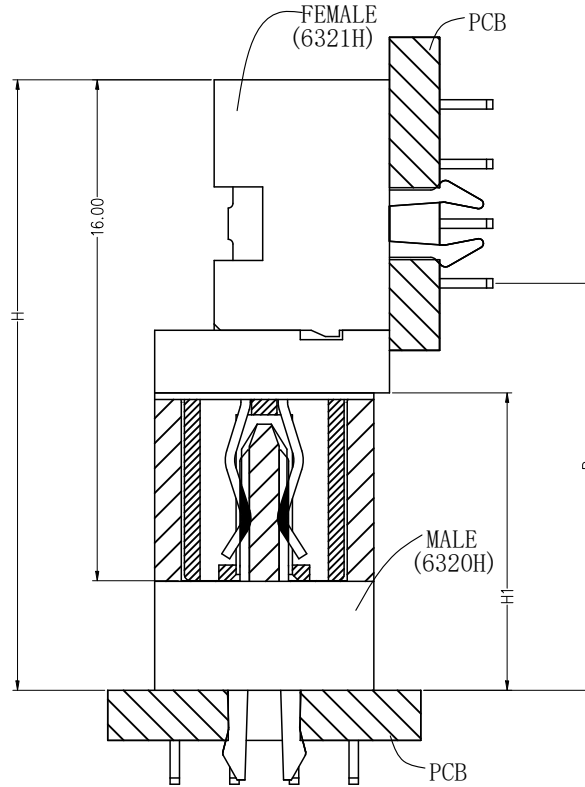
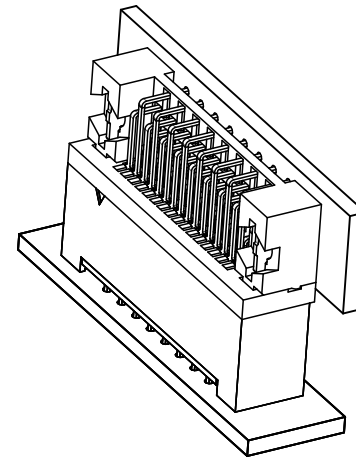
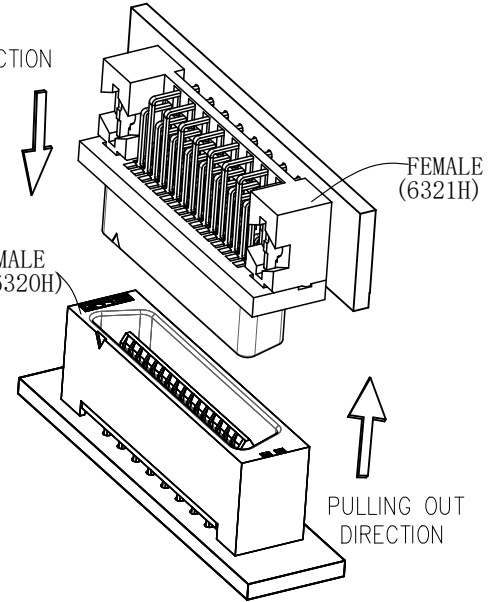


TABLE 2:


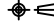
ASS'Y HIGH(H)	MALE(180')	
	H1	B
18.50	8.50	12.00
19.50	9.50	13.00
20.50	10.50	14.00

DYNAMIC USE HINT:

MATING DIRECTION



ASSEMBLY COMPLETION STATUS

REV	DATE	MODIFICATION DESCRIPTION	CHANGE	OPERATION		DRAW Morris	DATE 2021/04/27	SCALE	FIT	PART NO. 6321H-XXXRDXPWX11	 <a href="http://www.wcon.com">Http: www.wcon.com</a>	
				x.x	±0.40							
				x.xx	±0.25	CHECK	DATE	UNIT	mm inch	TITLE:	WCON-Dongguan	
A1	2021/04/27	NEW	Morris	x.xxx	±0.15	APPROVE	DATE	SIZE	A4	1.27mm SCSI Connector, Female, R/A DIP Type, W/Lock	WCON-Kunshan	
				Angle	± 3'		DATE	SHEET	4/4	Customer NO.	Tel: +86 769 85358920	
				DIM	TOL			PROJ.			Tel: +86 512 57468408	
											Fax: +86 769 85358915	
											E-mail: sales@wcon.com	
											E-mail: salesks@wcon.com	