

HSF

NOTES:
 Current Rating: 0.5AMP
 Contact Resistance: 45mΩ Max
 Withstand Voltage: 500V AC/minute
 Insulation Resistance: 1,000MΩ Min
 Operation Temperature: -55°C to +105°C

Contact And Lock Material: Copper Alloy
 Contact Plating:
 xxu" Gold On Contact Area, (See Ordering Information)
 100u" Matte Tin On Solder Area
 50u" Nickel Underplating Overall

Insulator And Back Cover Material: LCP,G,F,UL94V-0,Black

Recommended Process:
 Wave Soldering, Peak Temperature: 260±5°C For 10+/-1s

Recommended P.C.B Layout(Top Side)
 (PCB BOARD TOLERANCE±0.05)
 PCB Thickness: 1.6mm REF

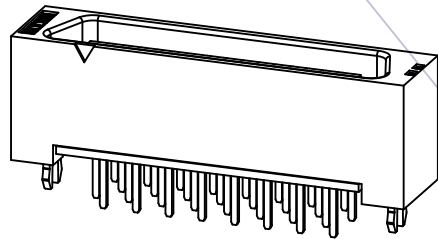
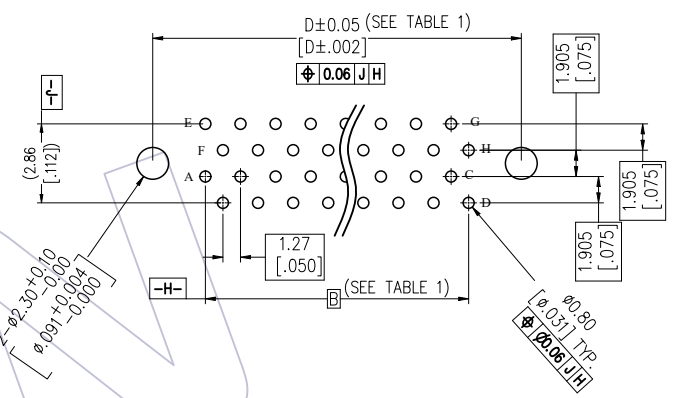
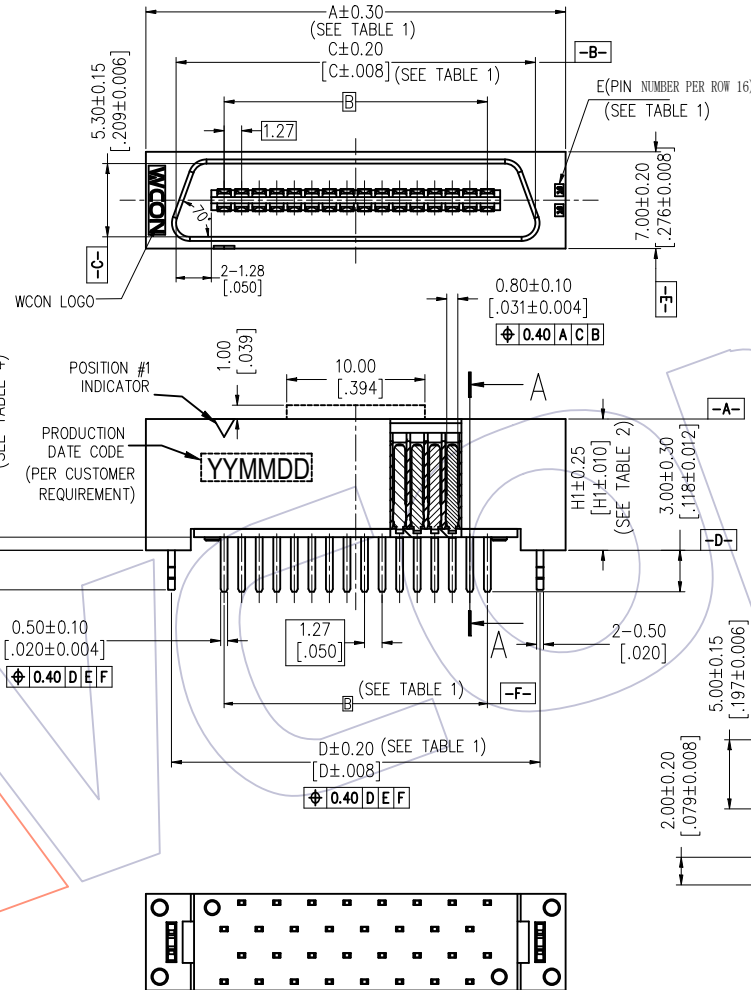
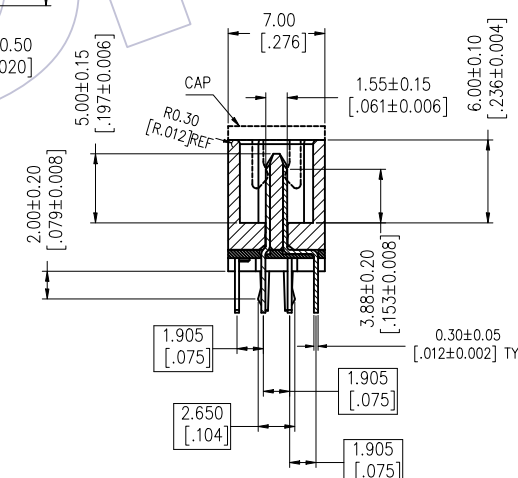


TABLE 3:

Item	Pitch	Mating
Standard	1.27	6321H
Alternate		



PRODUCTION DATE CODE:
 TEXT FONT: ARIAL

YY MM DD

THE LAST TWO NUMBER OF YEAR MONTH DATE

TABLE 4:

H2	Dim. F
8.50[.335]	0.45[.018]
9.50[.374]	0.95[.037]
10.50[.413]	0.95[.037]

SEC A-A

REV	DATE	MODIFICATION DESCRIPTION	CHANGE	OPERATION		DRAW Orwell	DATE 2020/10/26	SCALE	FIT	PART NO. 6320H-XXXSDSXPWXX1W
				X.X	±0.40					
				X.XX	±0.25	CHECK	DATE	UNIT mm inch		TITLE: 1.27mm SCSI Connector, Male, DIP Type, W/ Lock
				X.XXX	±0.15	APPROVE	DATE	SIZE A4		Customer NO.
				Angle	± 3°			SHEET 1/3		
				DIM	TOL			PROJ.		

WCON

Http: www.wcon.com

WCON-Dongguan Tel: +86 769 85358920
 WCON-Kunshan Tel: +86 512 57468408
 Fax: +86 769 85358915 Fax: +86 512 57468468
 E-mail: sales@wcon.com E-mail: salesks@wcon.com

Ordering Information

6320H - XXX S D SX PW X X1 W

No. Of Pins: 20~120Pin,
More Detail
Please See Table 1

Type Code: S=180° S/T

Contact Tail Shape: D=Through Hole

W: With WCON Logo

Internal Code:
0= Hl: 8.50mm
1= Hl: 9.50mm
2= Hl: 10.50mm

Packaging Way:
R=Tape & Reel,
T=Tube,
A=Tray,


W: With Fork

P: All Plastic

Contact Plating
S1=3u" Gold/ Tin,
S2=5u" Gold/ Tin,
S3=10u" Gold/ Tin,
S4=15u" Gold/ Tin,
S5=30u" Gold/ Tin,

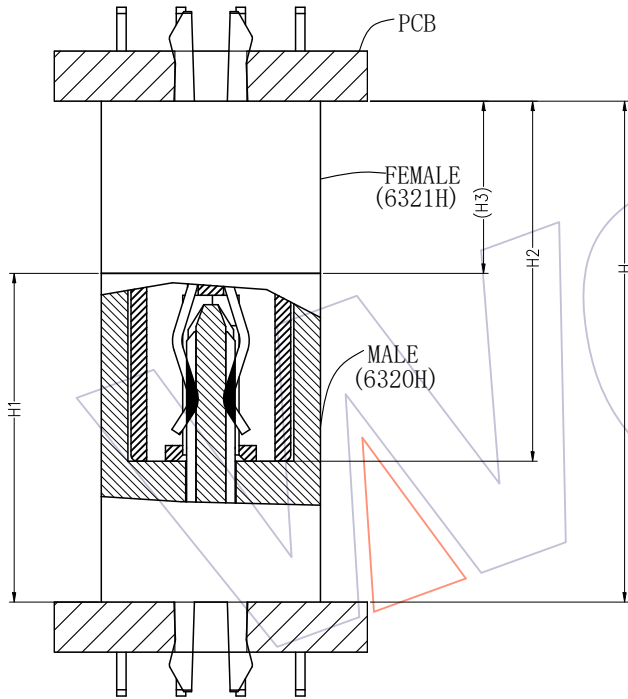
TABLE 1:

Pin No.	Part Number	Dim.A	Dim.B	Dim.C	Dim.D	E
20P	6320H-020SDSXPWXX1W	22.75	11.43	18.38	19.05	10
32P	6320H-032SDSXPWXX1W	30.37	19.05	26.00	26.67	16
40P	6320H-040SDSXPWXX1W	35.45	24.13	31.08	31.75	20
52P	6320H-052SDSXPWXX1W	43.07	31.75	38.70	39.37	26
60P	6320H-060SDSXPWXX1W	48.15	36.83	43.78	44.45	30
68P	6320H-068SDSXPWXX1W	53.23	41.91	48.86	49.53	34
80P	6320H-080SDSXPWXX1W	60.85	49.53	56.48	57.15	40
100P	6320H-100SDSXPWXX1W	73.55	62.23	69.18	69.85	50
120P	6320H-120SDSXPWXX1W	86.25	74.93	81.88	82.55	60

				OPERATION	DRAW	DATE	SCALE	FIT	PART NO.	 Http: www.wcon.com WCON-Dongguan WCON-Kunshan Tel: +86 769 85358920 Tel: +86 512 57468408 Fax: +86 769 85358915 Fax: +86 512 57468468 E-mail: sales@wcon.com E-mail: salesks@wcon.com
				x.x ±0.40	Orwell	2020/10/26	UNIT	mm inch	6320H-XXXSDSXPWXX1W	
				x.xx ±0.25	CHECK	DATE	SIZE	A4	TITLE:	
				x.xxx ±0.15	APPROVE	DATE	SHEET	2/3	1.27mm SCSI Connector, Male, DIP Type, W/ Lock	
AO	2020/10/26	NEW	Orwell	Angle ± 3° DIM TOL			PROJ.	⌀	Customer NO.	
REV	DATE	MODIFICATION DESCRIPTION	CHANGE							

HSF

6320H MATED WITH 6321H



DYNAMIC USE HINT:

MATING DIRECTION

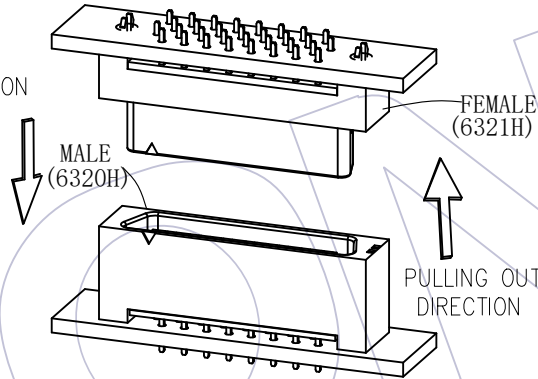
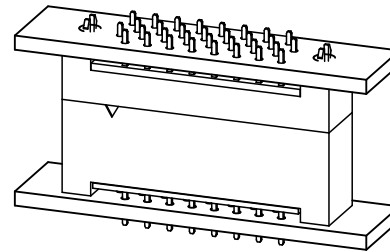



TABLE 2:

ASS'Y HIGH(H)	FEMALE		
	MALE H1	H2	H3
12.00	8.50[.335]	9.50[.374]	3.50[.138]
13.00	9.50[.374]	9.50[.374]	3.50[.138]
14.00	10.50[.413]	9.50[.374]	3.50[.138]
15.00	8.50[.335]	11.50[.453]	5.50[.217]
16.00	9.50[.374]	11.50[.453]	5.50[.217]



ASSEMBLY COMPLETION STATUS

				OPERATION	DRAW	DATE	SCALE	FIT	PART NO.	 Http: www.wcon.com WCON-Dongguan WCON-Kunshan Tel: +86 769 85358920 Tel: +86 512 57468408 Fax: +86 769 85358915 Fax: +86 512 57468468 E-mail: sales@wcon.com E-mail: salesks@wcon.com
				x.x ±0.40	Orwell	2020/10/26	UNIT	mm inch	6320H-XXXSDSXPWXX1W	
				x.xx ±0.25	CHECK	DATE	SIZE	A4	TITLE:	
				x.xxx ±0.15	APPROVE	DATE	SHEET	3/3	1.27mm SCSI Connector, Male, DIP Type, W/ Lock	
AO	2020/10/26	NEW	Orwell	Angle ± 3°			PROJ.	Customer NO.		
REV	DATE	MODIFICATION DESCRIPTION	CHANGE	DIM TOL						