

HSF

NOTES:

1.Electrical Performance:

1-1.Current Rating:0.5 A at AC 100V.

1-2.Withstand Voltage:250V AC.

1-3.Contact Resistance: See Table.

1-4.Insulation Resistance:1000MΩ Min.

1-5.Operation Temperature:-55℃to+85℃

2.Material:

1.Housing:LCP;Black/Natural;UL94V-0.

2-2.Contact:Phosphor Bronze,T=0.20mm.

2-3.Fitting Nail:Brass,T=0.25mm.

2-4.Metal Cap :Stainless Steel,T=0.20mm.

3.Finish:

3-1.Contact:Gold Plating On Contact Area;

Matte Tin Plating On Solder Tails Over Ni.

3-2.Fitting Nail:Sn Plating Over, Ni Under Plating

Ordering Information

3660-S XXX - 124 XX R 0X

No.of Pins Housing High Contact Plating R=Tape&Reel+CAP

G1=3u"Gold

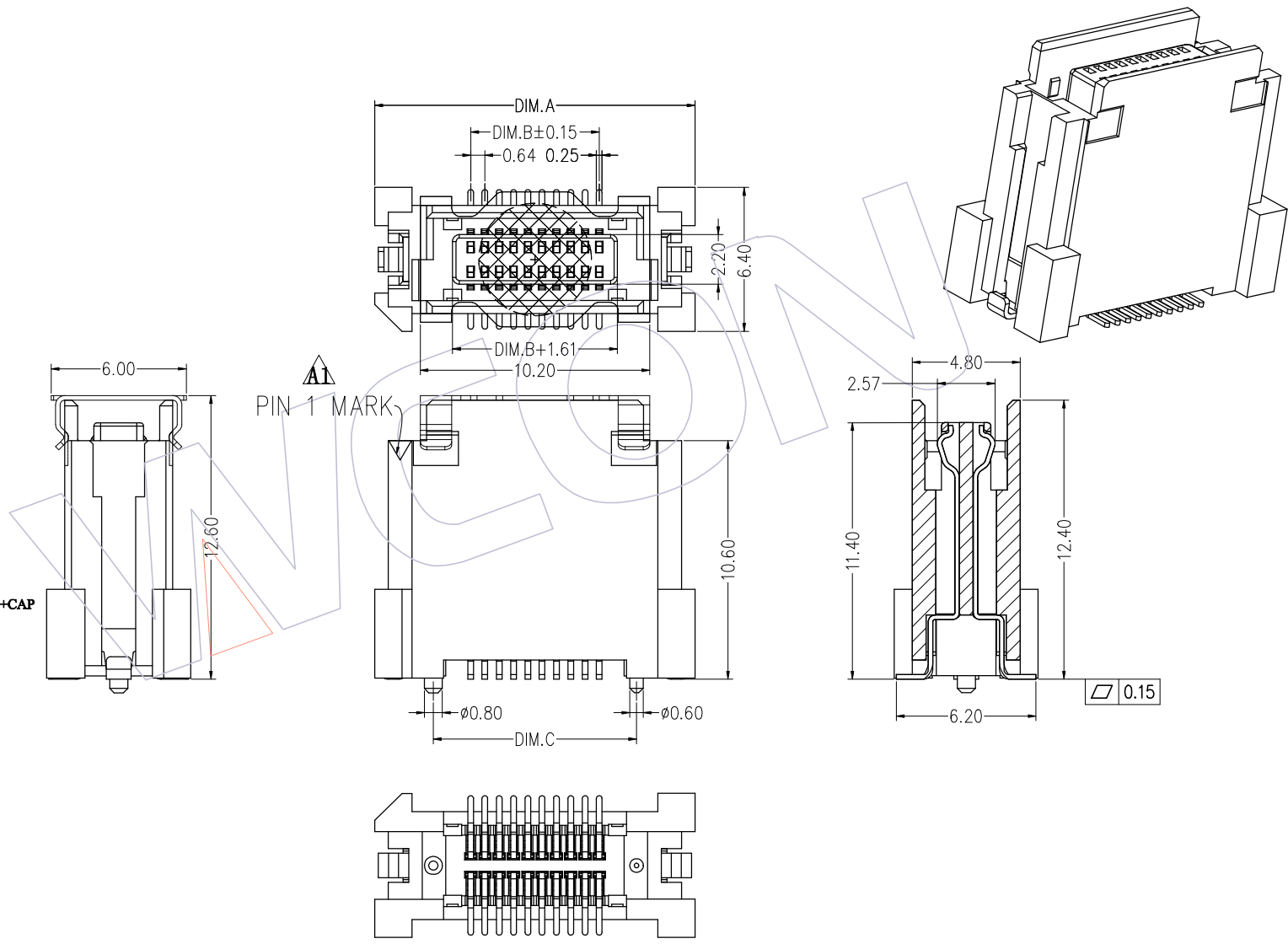
G2=5u"Gold


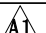
G3=10u"Gold/Tin

S1=3u"Gold/Tin

S2=5u"Gold/Tin

S3=10u"Gold/Tin



					DRAW Ding	DATE 2017.03.22	SCALE UNIT	FIT mm inch	PART NO. 3660-SXXX-124XXR0X	 Http: www.wcon.com WCON-Dongguan WCON-Kunshan Tel: +86 769 85358920 Tel: +86 512 57468408 Fax: +86 769 85358915 Fax: +86 512 57468468 E-mail: sales@wcon.com E-mail: salesks@wcon.com
A1	2017.03.22	ADD PIN 1 MARK			CHECK	DATE	SIZE A4	TITLE: 0.635mm BTB "M" FEMALE	SMT TYPE	
A0	2015.10.21	NEW	—		APPROVE	DATE	SHEET 1/2	Customer NO.		
REV	DATE	MODIFICATION DESCRIPTION	CHANGE				PROJ.			