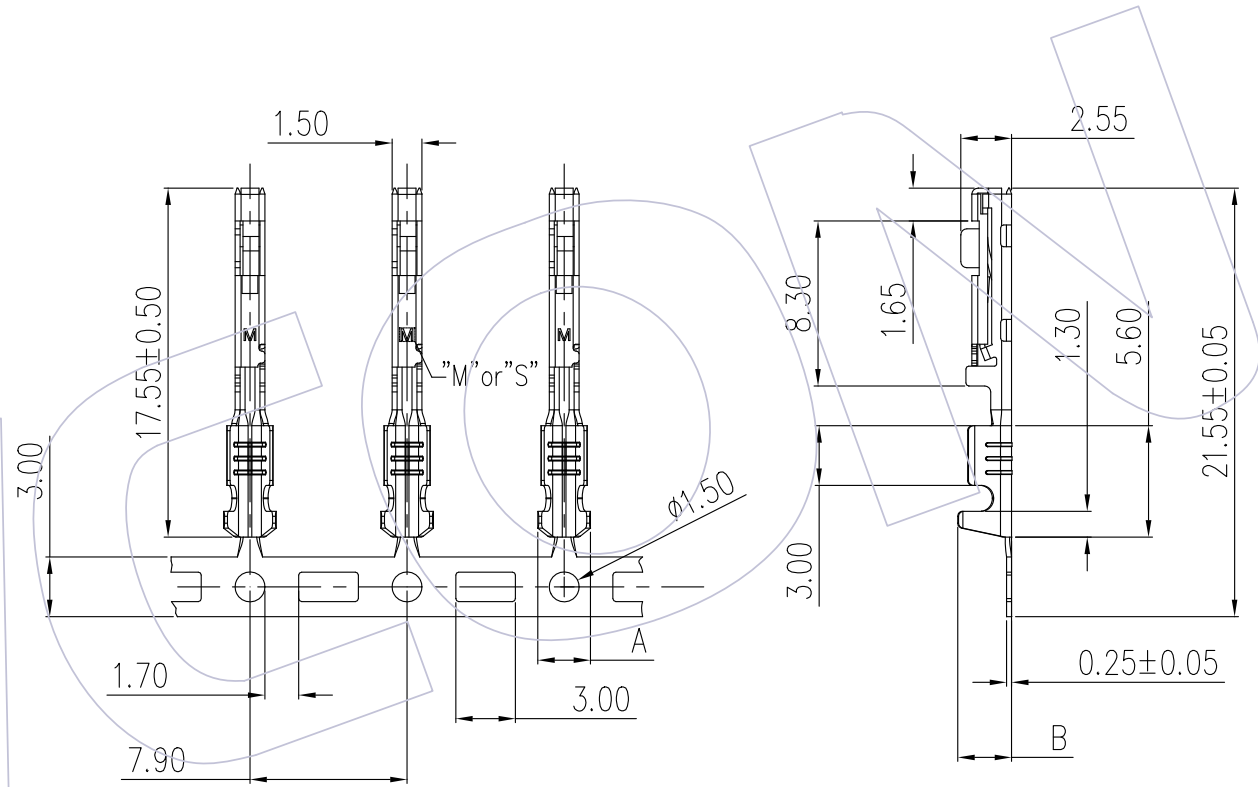


# HSF

NOTES:  
 Rated Current:  
 4.0AMP at 20°C.  
 Applicable Wire:  
 please refer to the figure for detailed parameters  
 Operation Temperature:  
 -40°C to +85°C  
 Contact Material:  
 copper alloy  
 Contact Plating:  
 80u"Bright Sn overall;  
 50u"Ni underplating overall;  
 Attention:  
 1.the product has two sizes of terminals the main  
 difference is the choice of wire



## Ordering Information

**72230 - T P SN OX**

- T=Terminal
- Material
- P=P/Bronze
- Plating
- SN=Bright Sn
- Wcon Internal Code

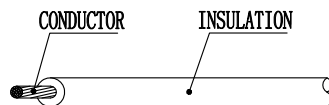
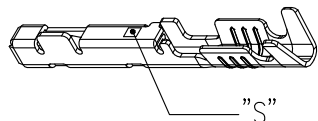
72230-TPSN02	"S"	2.60	2.60	SN 100U"
72230-TPSN01	"M"	2.65	2.70	SN 100U"
P/N	ITEM	DIM A	DIM B	FINISH

				OPERATION	DRAW	DATE	SCALE	Fit	PART NO.
				x.	±0.30	Morris	2021/04/22	UNIT	mm
A1	2021/04/22	Update drawing	Morris	x.x	±0.30	CHECK	DATE	SIZE	A4
AO	2021/02/26	NEW	Morris	x.xx	±0.30	APPROVE	DATE	SHEET	1/2
REV	DATE	MODIFICATION DESCRIPTION	CHANGE	Angle	± 3'			PROJ.	⊕
				DIM	TOL				

**WCON**  
 Http: www.wcon.com  
 WCON-Dongguan  
 Tel: +86 769 85358920  
 Fax: +86 769 85358915  
 E-mail: sales@wcon.com  
 WCON-Kunshan  
 Tel: +86 512 57468408  
 Fax: +86 512 57468468  
 E-mail: salesks@wcon.com

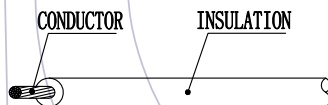
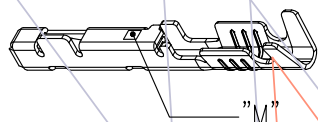
TITLE: 2.2 \* 3.0mm Auto-Conn,  
 Female ,Crimp Terminal  
 Customer NO.

HSF



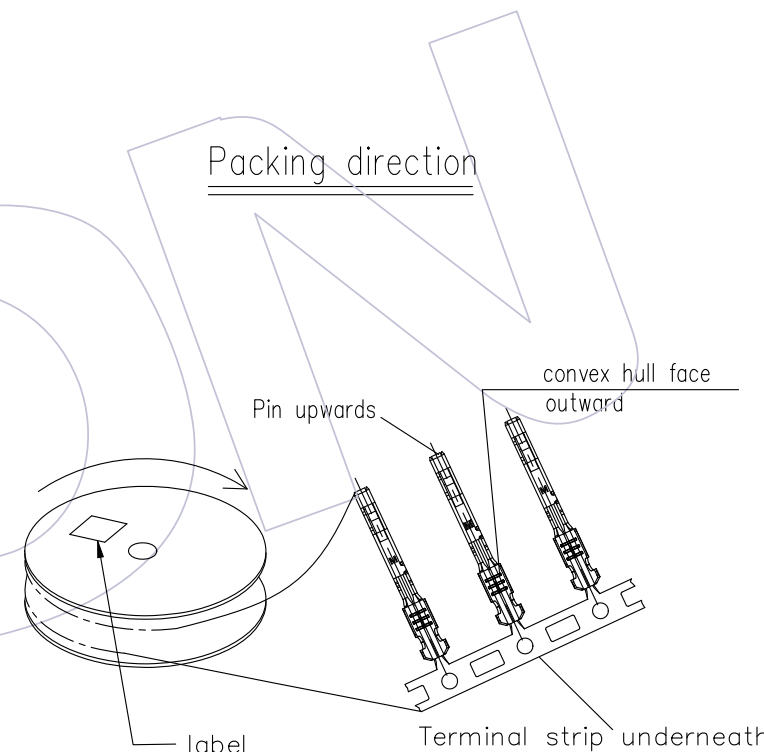
**S" TYPE TERMINAL APPLICABLE WIRE TECHNICAL PARAMETERS:**

- 1. CONDUCTOR SIZE( mm<sup>2</sup>): 0.22 to 0.35 .
- 2. INSULATION OD(mm): 1.30±0.10 to 1.50±0.10 .
- 3. WIRE DIAMETER:22AWG, 24AWG



**M" TYPE TERMINAL APPLICABLE WIRE TECHNICAL PARAMETERS:**

- 1:CONDUCTOR SIZE( mm<sup>2</sup>): 0.50 to 0.75
- 2:INSULATION OD(mm): 1.60±0.10 to 1.80±0.10
- 3. WIRE DIAMETER:18AWG, 20AWG



				OPERATION	DRAW	DATE	SCALE	Fit	PART NO.
				x. ±0.30	Morris	2021/04/22	UNIT	mm	72230-TPSN0X
A1	2021/04/22	Update drawing	Morris	x.x ±0.30	CHECK	DATE	SIZE	A4	TITLE: 2.2 * 3.0mm Auto-Conn, Female ,Crimp Terminal
AO	2021/02/26	NEW	Morris	x.xx ±0.30	APPROVE	DATE	SHEET	2/2	Customer NO.
REV	DATE	MODIFICATION DESCRIPTION	CHANGE	Angle ± 3°			PROJ.		
				DIM TOL					

**WCON**  
Http: www.wcon.com

WCON-Dongguan Tel: +86 769 85358920 Fax: +86 769 85358915 E-mail: sales@wcon.com	WCON-Kunshan Tel: +86 512 57468408 Fax: +86 512 57468468 E-mail: salesks@wcon.com
---	--