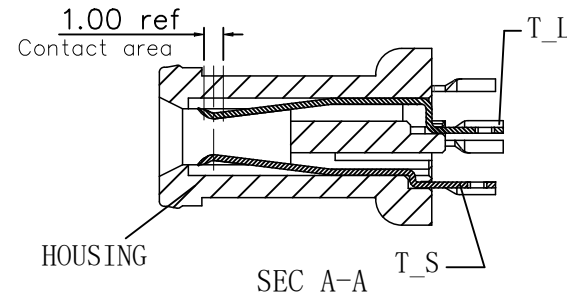
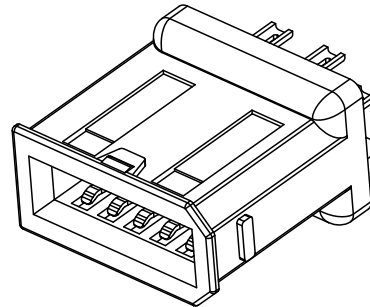
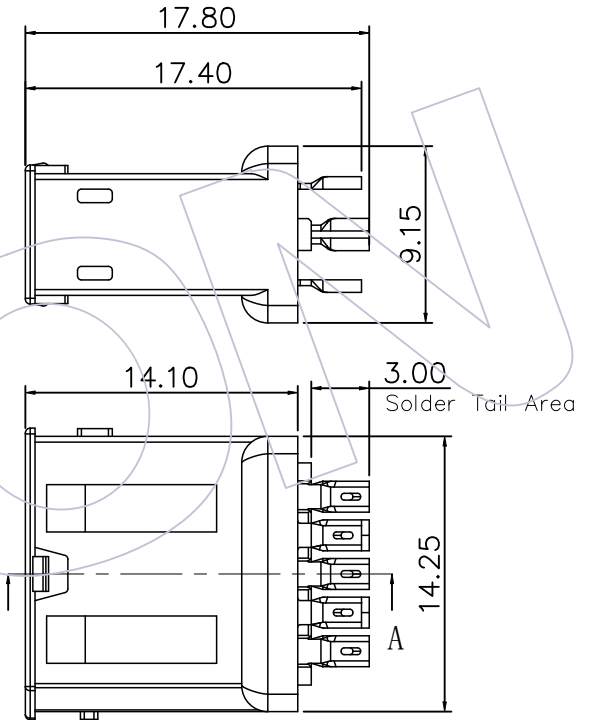
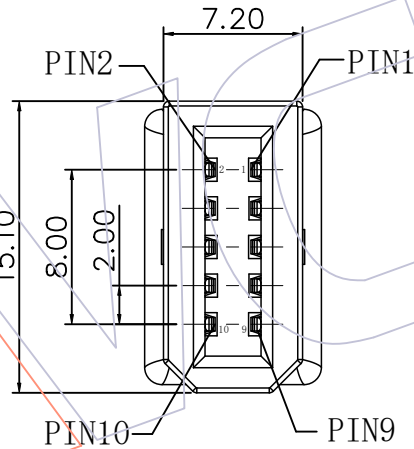
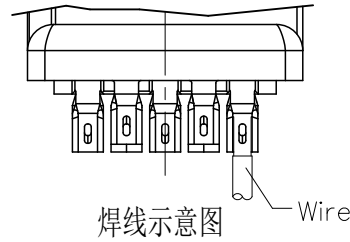


HSF

NOTES:

1. Material:
 - Housing: PBT UL94V-0 BK
 - Terminal: Copper Alloy
2. Terminal Finish:
 - Contact Area: Gold plated Over Ni 50u"Min
 - Solder Tails: 80u"Min. Sn plated Over Ni 50u"Min
3. Specification:
 - 3.1 Rating
 - Rated Current: 1.0A
 - 3.2 Electrical
 - Contact Resistance: 30mΩ max
 - Withstand Voltage: 500V AC
 - Insulation Resistance: 100MΩ min
4. Operation Temperature: -40°C to +85°C
5. Soldering: Solder temperature: 245+/-3°C
Solder time: 3-5 S
6. Wire Accommodation: 28AWG-18AWG



Ordering Information

B6131 - 10 F XX A B X 1

- B6131** - Wcon Internal Code
- 10** - PIN 10-10PIN
- F** - Type F=Female
- XX** - Contact Plating S0=Gold Flash/Tin S1=3u"Gold/Tin
- A** - Package 0: PE bag A:Tray
- B** - Insulator Color B=Black
- X** - Plastic Material A=PBT
- 1** - Wcon Internal Code

REV	DATE	MODIFICATION DESCRIPTION	CHANGE	OPERATION	DRAW	DATE	SCALE	FIT	PART NO.
				x.x ±0.40	Morris	2021/03/25	UNIT mm		B6131-10FS0ABX1
A1	2021/03/25	增加包装方式	Morris	x.xx ±0.25	CHECK	DATE	SIZE A4		TITLE: 2.0mm SIC Female Solder Type 10P
A0	2020/03/31	NEW	Morris	x.xxx ±0.15			SHEET 1/1		Customer NO.
				Angle ± 3°	APPROVE	DATE	PROJ.		
				DIM TOL					

WCON

Http: www.wcon.com

WCON-Dongguan Tel: +86 769 85358920 Fax: +86 769 85358915 E-mail: sales@wcon.com

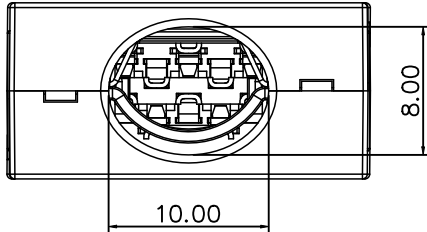
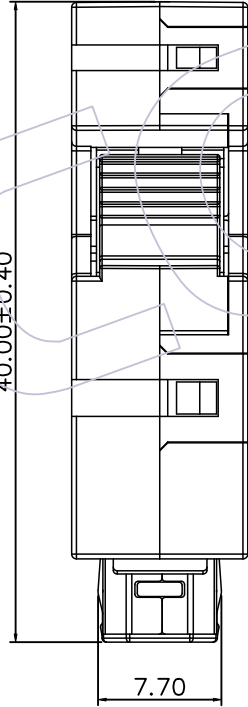
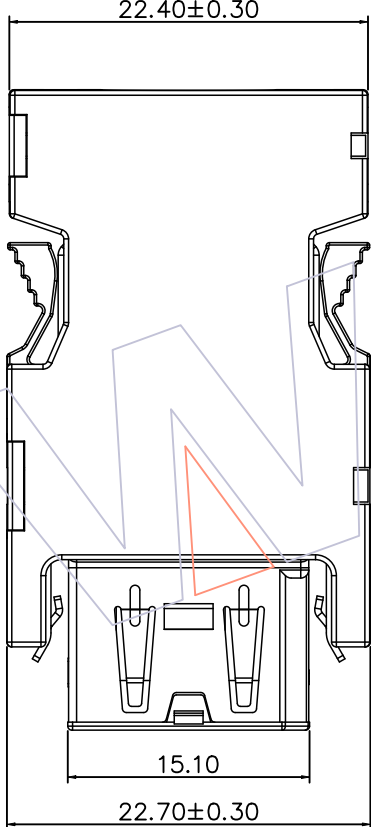
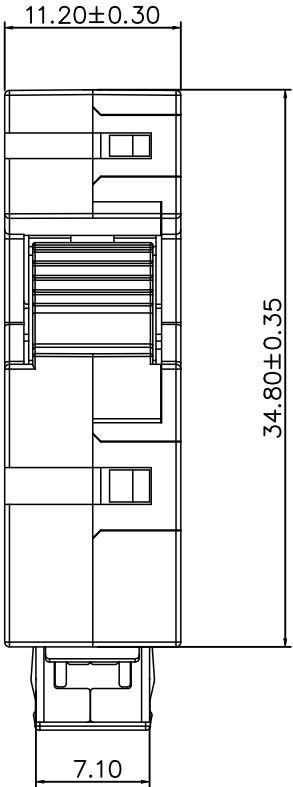
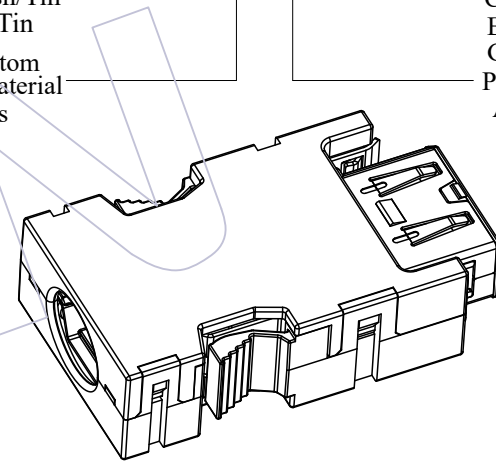
WCON-Kunshan Tel: +86 512 57468408 Fax: +86 512 57468468 E-mail: salesks@wcon.com

HSF

Ordering Information

6131 - 10 F XX B A X X 1

- Pin 10-10Pin Type F=FeMale
- Contact Plating S0=Gold Flash/Tin S1=3u"Gold/Tin
- Top/Bottom Shell Material B=Brass
- Wcon Internal Code
- Package 0: PE bag A:Tray
- Color B=Black G=Gray
- Plas Cover Material A=ABS+PC



(7)	CONN ASSEMBLY 10PIN	B6131-10FXXABA1	1	terminal: C5191R-H T=0.30 Plating; contact area Au 0.8 u" (see ordering information) 80 μ" TIN on solder area, 30 μ" Nickel underplating overall; housing: PBT+30%GF UL94-V0
(6)	SIDE BUCKLE SHRAPNEL	K6131-00SH0002	2	SUS T=0.40mm
(5)	SCREW	L6327M-SNI01	2	Steel, M2.0*6.20mm, Plating Ni
(4)	CLAMP	B6131-10FMHXX01	1	SPCC, T=0.80mm, Plating Ni
(3)	BOTTOM SHELL	M6131-10FBHNI02	1	C2680-H T=0.30mm, Plating Ni
(2)	TOP SHELL	M6131-10FBHNI01	1	C2680-H T=0.30mm, Plating Ni
(1)	PLASTIC COVER	G6131-10FUHCGN1	1	ABS+PC UL94-V0
ITEM	品名	料号	数量	材料

OPERATION		DRAW		DATE		SCALE		FIT		PART NO.	
X.X	±0.40	Morris		2021/03/25		UNIT		mm		6131-10FS0BAXX1	
X.XX	±0.25	CHECK		DATE		SIZE		A4		TITLE:	
X.XXX	±0.15	APPROVE		DATE		SHEET		1/3		2.0mm SIC Connector	
Angle	± 3°					PROJ.		Customer NO.		母座焊线式10PIN外壳组件	
DIM	TOL										

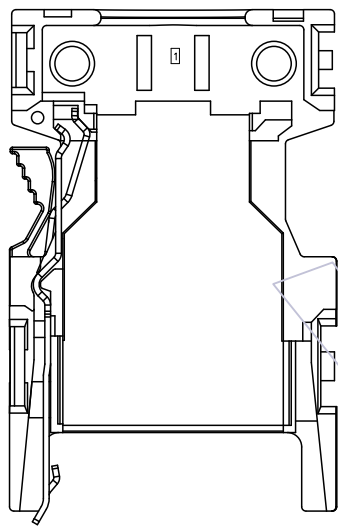
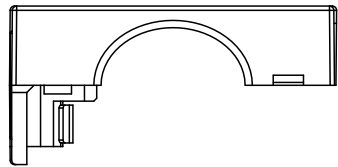


Http: www.wcon.com

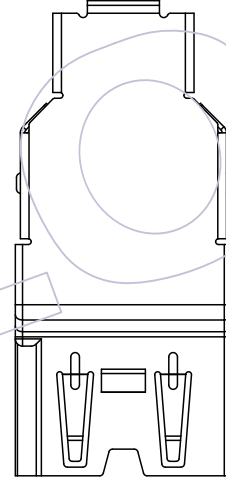
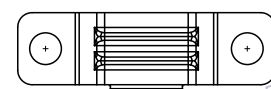
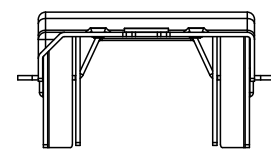
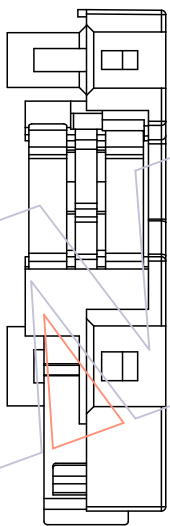
WCON-Dongguan Tel: +86 769 85358920 Fax: +86 769 85358915 E-mail: sales@wcon.com	WCON-Kunshan Tel: +86 512 57468408 Fax: +86 512 57468468 E-mail: salesks@wcon.com
---	--

A1	2021/03/25	增加包装方式	Morris
AO	2020/09/14	NEW	Morris
REV	DATE	MODIFICATION DESCRIPTION	CHANGE

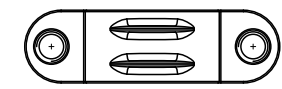
HSF



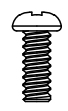
组件塑胶盖子
(PLASTIC COVER ASSEMBLIES)



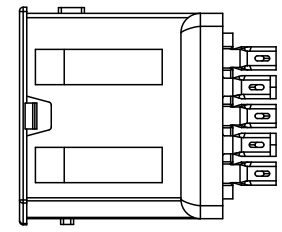
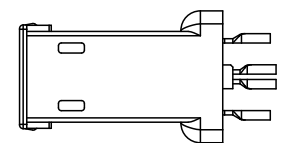
组件上铜壳
(ASSEMBLE TOP SHELL)



组件线扣
(ASSEMBLE CLAMP)



组件螺丝
(ASSEMBLE SCREW)



组件连接器 (10P)
(CONNECTOR ASSEMBLE 10P)

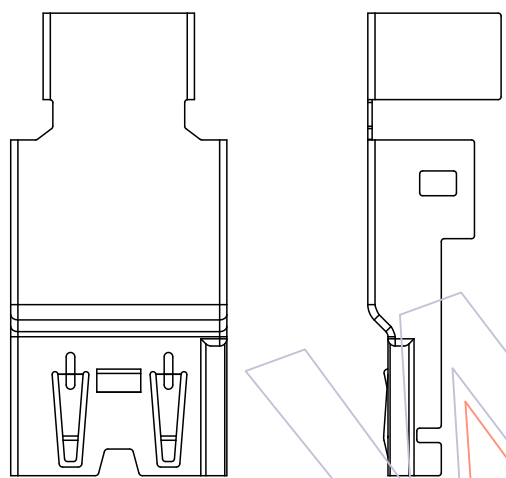
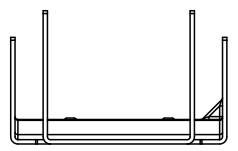
REV	DATE	MODIFICATION DESCRIPTION	CHANGE	OPERATION		DRAW Morris	DATE 2021/03/25	SCALE	FIT	PART NO. 6131-10FS0BAXX1
				X.X	±0.40					
A1	2021/03/25	增加包装方式	Morris	X.XX	±0.25	CHECK	DATE	UNIT	mm	TITLE: 2.0mm SIC Connector 母座焊线式10PIN外壳组件
A0	2020/09/14	NEW	Morris	X.XXX	±0.15	APPROVE	DATE	SIZE	A4	Customer NO.
				Angle	± 3°			SHEET	2/3	
				DIM	TOL			PROJ.		

WCON
Http: www.wcon.com

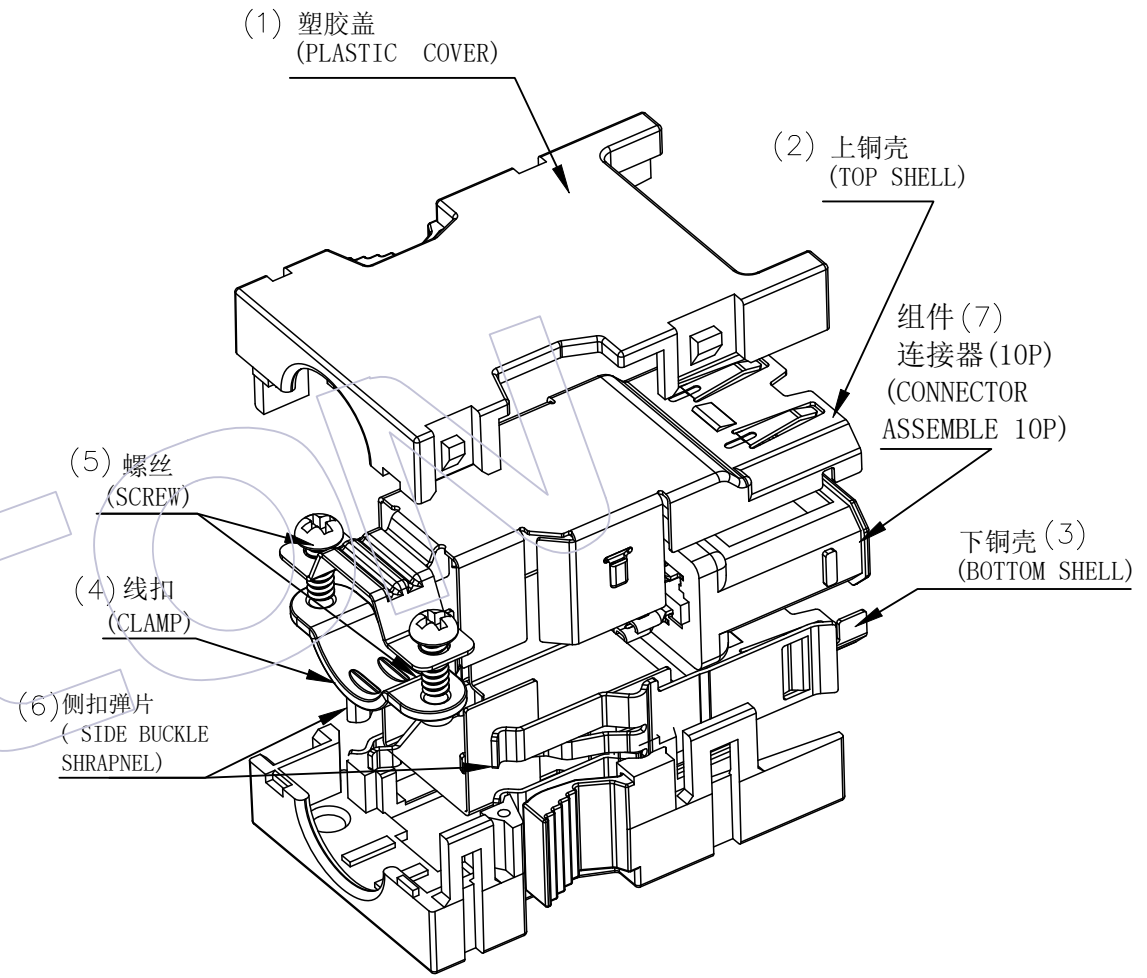
WCON-Dongguan
Tel: +86 769 85358920
Fax: +86 769 85358915
E-mail: sales@wcon.com

WCON-Kunshan
Tel: +86 512 57468408
Fax: +86 512 57468468
E-mail: sales@wcon.com

HSF



组件下铜壳
(ASSEMBLE BOTTOM SHELL)



3D组装示意图
3D ASSEMBLY SKETCH

6131-10FXXMAGA1
Mates Conn P/N

REV	DATE	MODIFICATION DESCRIPTION	CHANGE	OPERATION		DRAW Morris	DATE 2021/03/25	SCALE	FIT	PART NO. 6131-10FS0BAXX1
				X.X	±0.40					
A1	2021/03/25	增加包装方式	Morris	X.XX	±0.25	CHECK	DATE	UNIT	mm	TITLE: 2.0mm SIC Connector 母座焊线式10PIN外壳组件
A0	2020/09/14	NEW	Morris	X.XXX	±0.15	APPROVE	DATE	SIZE	A4	Customer NO.
				Angle	± 3°			SHEET	3/3	
				DIM	TOL			PROJ.		

WCON
Http: www.wcon.com

WCON-Dongguan
Tel: +86 769 85358920
Fax: +86 769 85358915
E-mail: sales@wcon.com

WCON-Kunshan
Tel: +86 512 57468408
Fax: +86 512 57468468
E-mail: sales@wcon.com