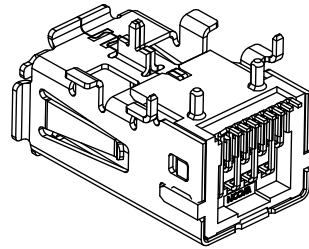


HSF

NOTES:
 Current Rating:0.5A/Pin
 Voltage Rating:50V/AC
 Contact Resistance:40mΩ Max.
 Withstand Voltage:1000V
 Insulation Resistance:500MΩ Min.
 Operation Temperature:-40°C to +85°C

Insulator Material:LCP,G.F,UL94V-0,BLACK or Natural
 Contact Material:Copper Alloy
 Contact Plating:Gold On Contact Area(See Ordering Information),
 80u" Min Tin On Solder Area,
 50u" Nickel Underplating Overall.
 Shell Material:Copper Alloy
 Shell Plating:80u"Min Matte Tin Over 30u"Min Ni

Recommended Process:
 IR Stove,Peak temperature:260±5°C



3D VIEW

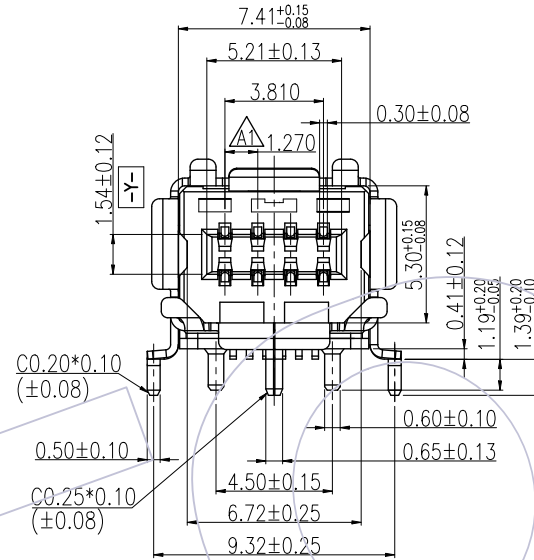
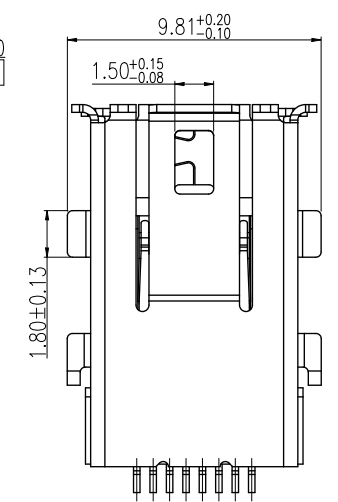
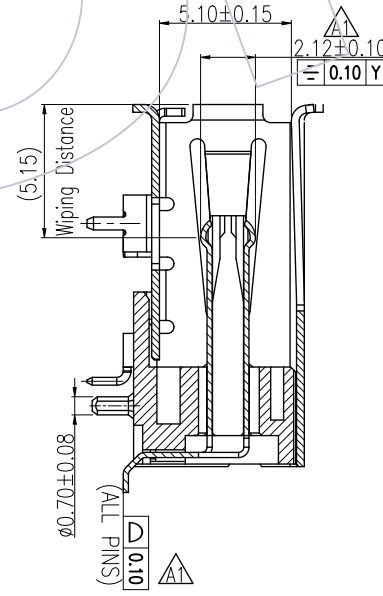
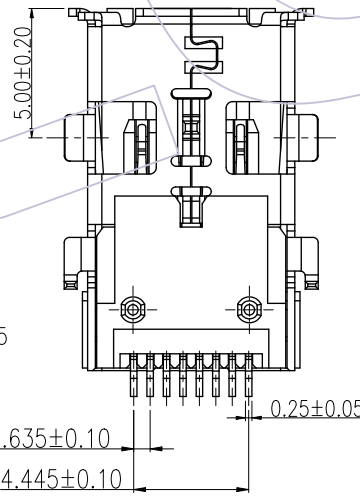
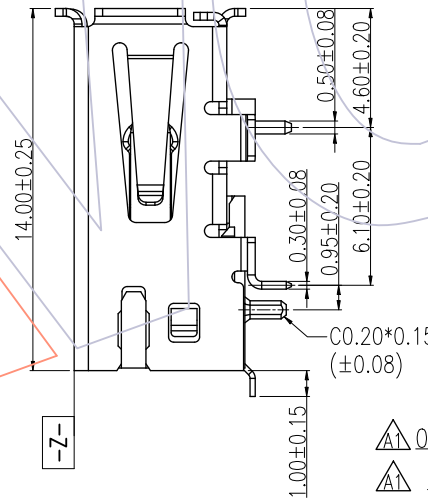
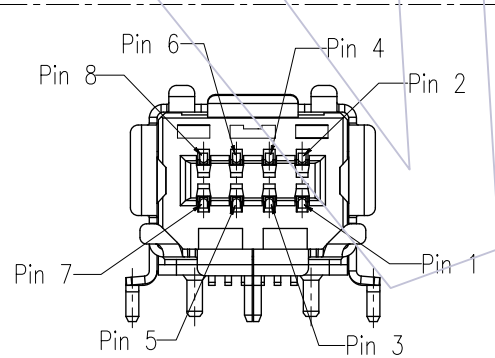


Table.1:

6361-08FZXXDXWR1	6361-08FZXXDXNR1
Post	W/O Post



REV	DATE	MODIFICATION DESCRIPTION	CHANGE	OPERATION	DRAW	DATE	SCALE	Fit	PART NO.
A1	2023/06/08	Adjustment Size	Jason	x.X ±0.40	Jason	2023/06/08	UNIT	mm	6361-08FZXXDXR1
A0	2022/05/10	NEW RELEASE	Jason	x.XX ±0.25	CHECK	DATE	SIZE	A4	TITLE: 1.27mm Micro I/O 8P Receptacle Connector 90° SMT TYPE I
				x.XXX ±0.15	Andrey	DATE	SHEET	1/2	Customer NO.
				Angle ± 3°	APPROVE	DATE	PROJ.		
				DIM TOL					

WCON
 Http: www.wcon.com
 WCON-Dongguan Tel: +86 769 85358920
 WCON-Kunshan Tel: +86 512 57468408
 Fax: +86 769 85358915
 Fax: +86 512 57468468
 E-mail: sales@wcon.com
 E-mail: salesks@wcon.com

