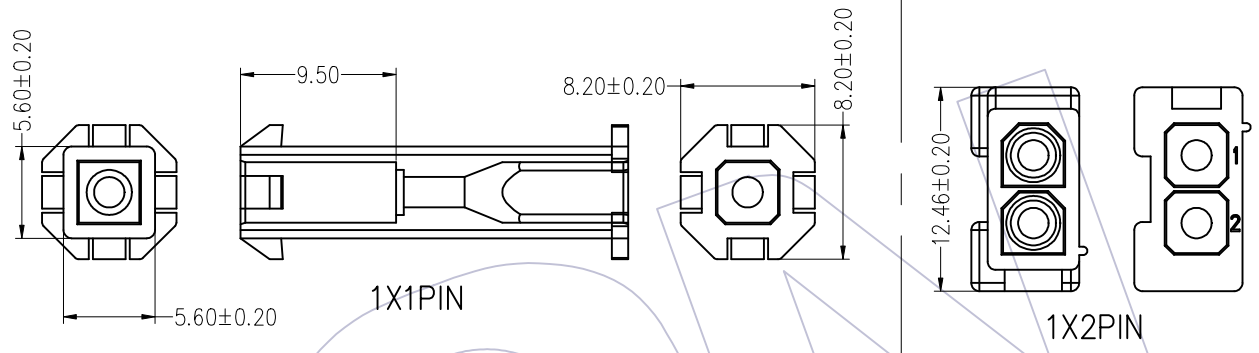


# HSF

NOTES:  
 Withstand Voltage: AC 1500V  
 Insulation Resistance: 1000MΩ/DC 500V  
 Operation Temperature: -20°C to +85°C

Insulator Material: PA66 UL94V-0



## Ordering Information

WF4141 - 1 HK XX W 0 2

No. of Row  
Single Row

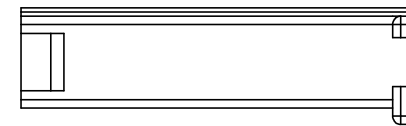
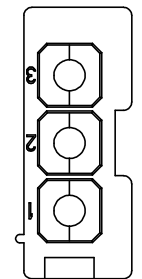
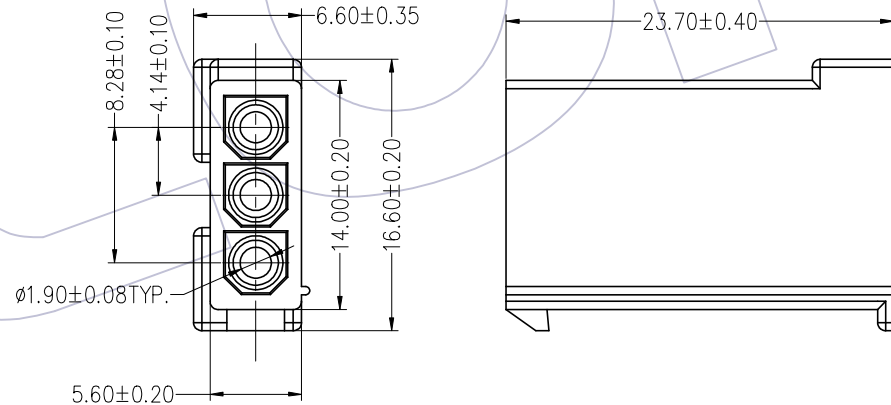
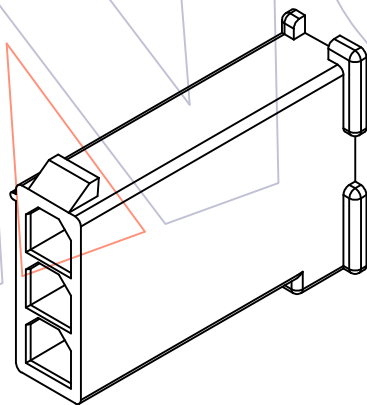
Housing(Male)

No. of pins  
 01=01PIN  
 02=02PIN  
 03=03PIN


Wcon Internal Code

Package  
0=PE bag

Colour  
W=White



1X3PIN

				OPERATION		DRAW		DATE		SCALE		FIT		PART NO.		 <a href="http://www.wcon.com">Http: www.wcon.com</a>	
				X.X ±0.30		Morris		2022/11/18		UNIT		mm		WF4141-1HKXXW02			
				X.XX ±0.25		CHECK		DATE		SIZE		A4		TITLE:		WCON-Dongguan	
				X.XXX ±0.15		APPROVE		DATE		SHEET		1/1		4.14mm Housing(Male),		WCON-Kunshan	
A0		2022/11/18		NEW		---				PROJ.		◆		Customer NO.		Tel: +86 769 85358920	
REV		DATE		MODIFICATION DESCRIPTION		CHANGE		DIM		TOL						Tel: +86 512 57468408	
																Fax: +86 769 85358915	
																E-mail: sales@wcon.com	
																E-mail: salesks@wcon.com	