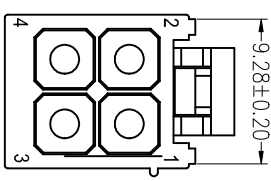
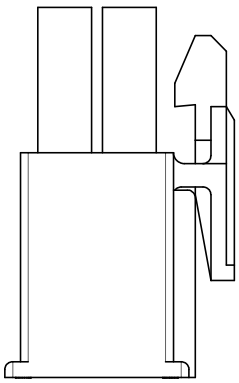
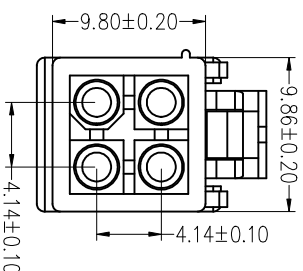
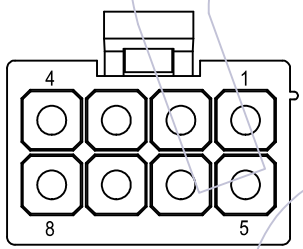
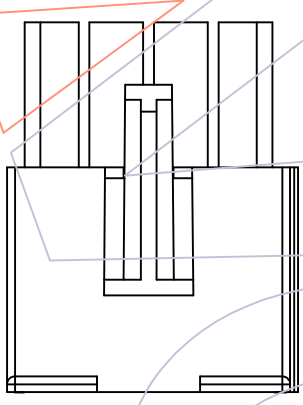
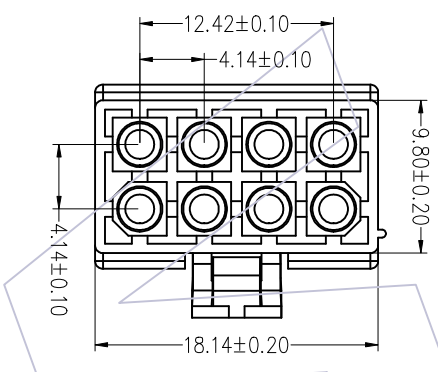


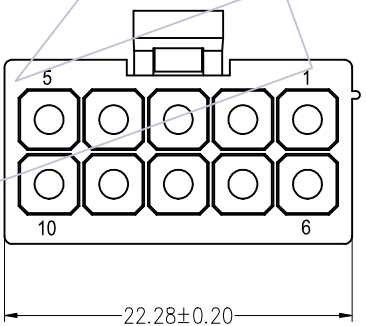
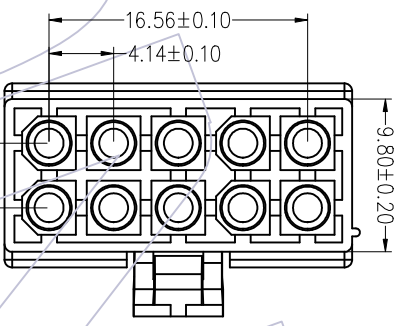
HSF



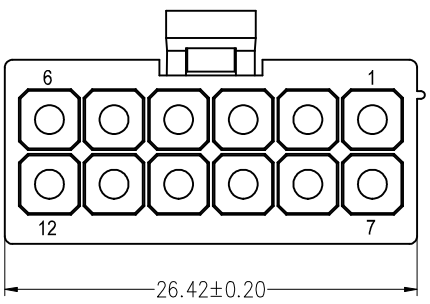
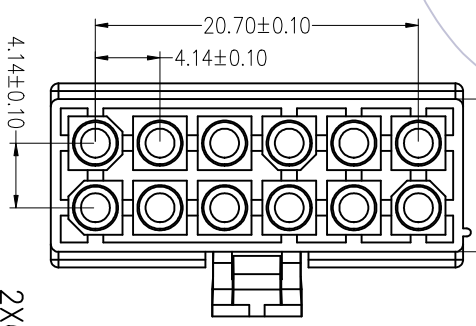
2X2PIN



2X4PIN



2X5PIN



2X6PIN

OPERATION		DRAW		PART NO.		WF 41 41 - 2HXXW01 TITLE: 4.14mm Housing, "T" Type, Dual Row, W/ Lock Customer NO.			
XX	±0.30	Morris	DATE	2022/11/18	SCALE				
X.XX	±0.25	CHECK	DATE		UNIT	mm			
X.XXX	±0.15	APPROVE	DATE		SIZE	A4			
Angle	±3°				SHEET	2 / 4			
DIM	TOL	CHANGE			PROJ.				
REV	DATE	MODIFICATION DESCRIPTION							
A0	2022/11/18	NEW							



Http: www.wcon.com
 WCON-Dongguan
 Tel: +86 769 85358920
 Fax: +86 769 85358915
 E-mail: sales@wcon.com
 WCON-Kunshan
 Tel: +86 512 57468408
 Fax: +86 512 57468468
 E-mail: sales@wcon.com